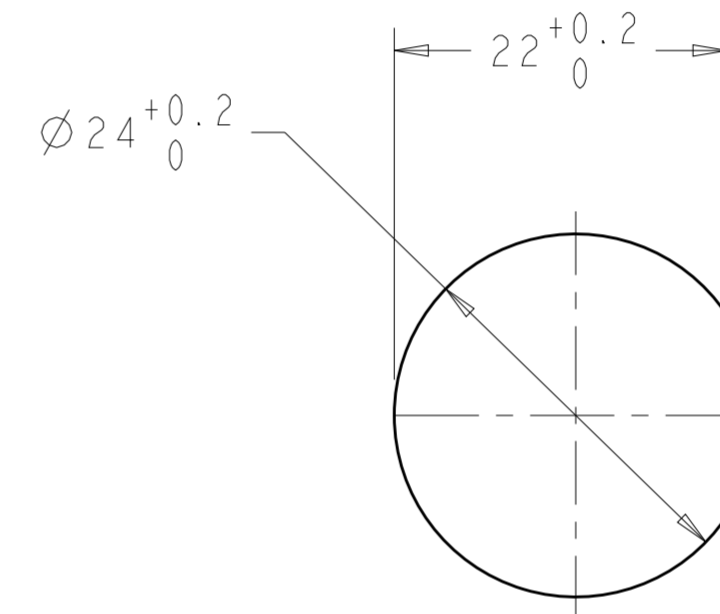
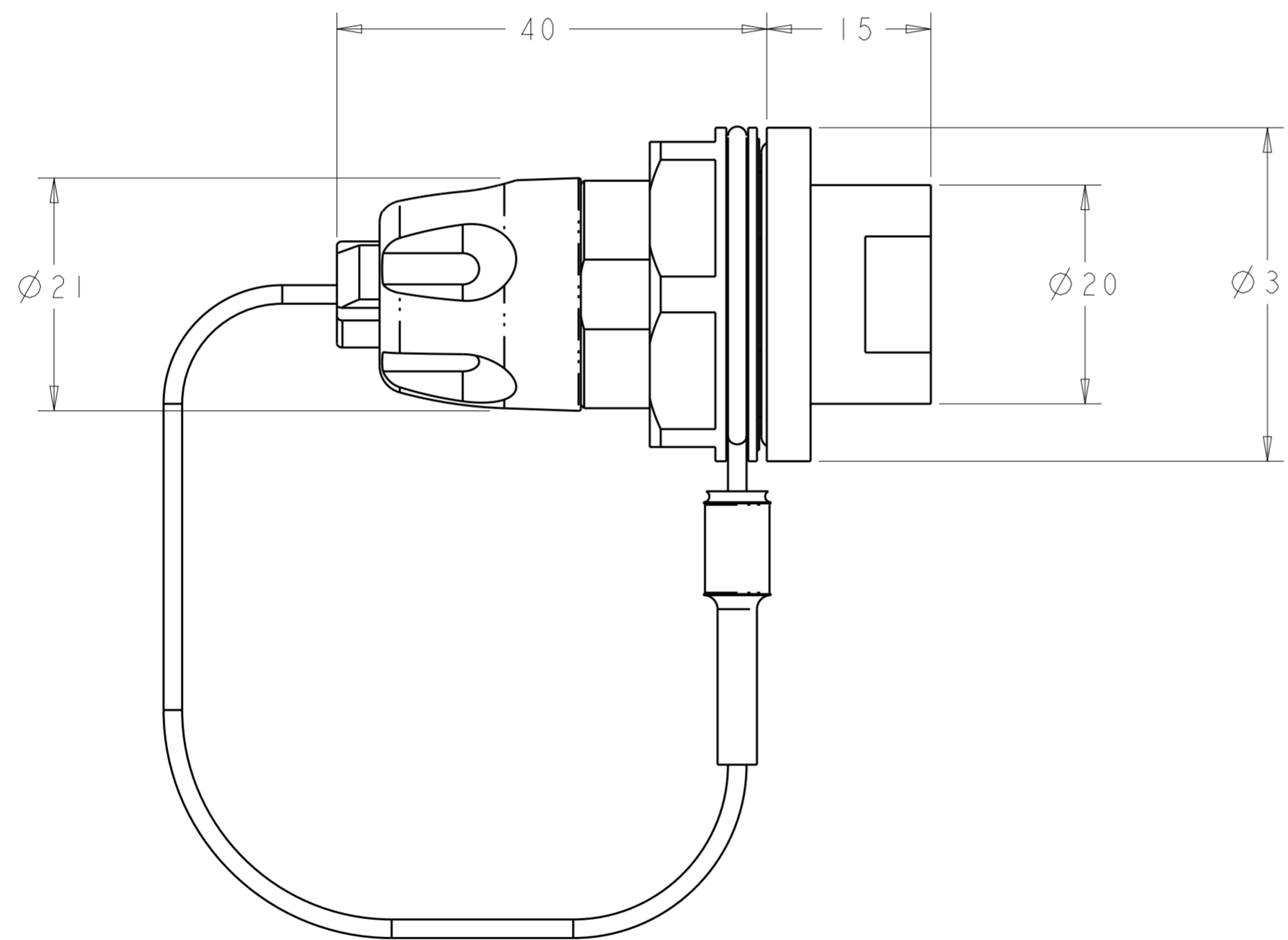


THIS DRAWING IS UNPUBLISHED. RELEASED FOR PUBLICATION 20
 © COPYRIGHT 20 BY - ALL RIGHTS RESERVED.

REVISIONS				
P	LTR	DESCRIPTION	DATE	APVD
	A2	ECR-15-009282	30JUL2015	KG DW

1. ASSEMBLY SHOWN FOR REFERENCE ONLY.
SHIPPED LOOSE PIECE AS SHOWN ON PAGE 2.
2. ALL ASSEMBLY DIMENSION ARE FOR REFERENCE ONLY.
3. COMPLETE THE CONNECTOR ASSEMBLY BY ADDING EACH OF THE FOLLOWING PRO BEAM MINI KITS:
A. EXPANDED BEAM INSERT ASSEMBLY KIT
B. FERRULE KIT, ONE PER FIBER
- △ PANEL SHOULD BE BETWEEN 1mm AND 6mm THICKNESS.
5. THIS PRODUCT HAS NOT COMPLETED VALIDATION TESTING.



△ RECOMMENDED PANEL CUT-OUT

SUPERSEDED BY:
1828699-4

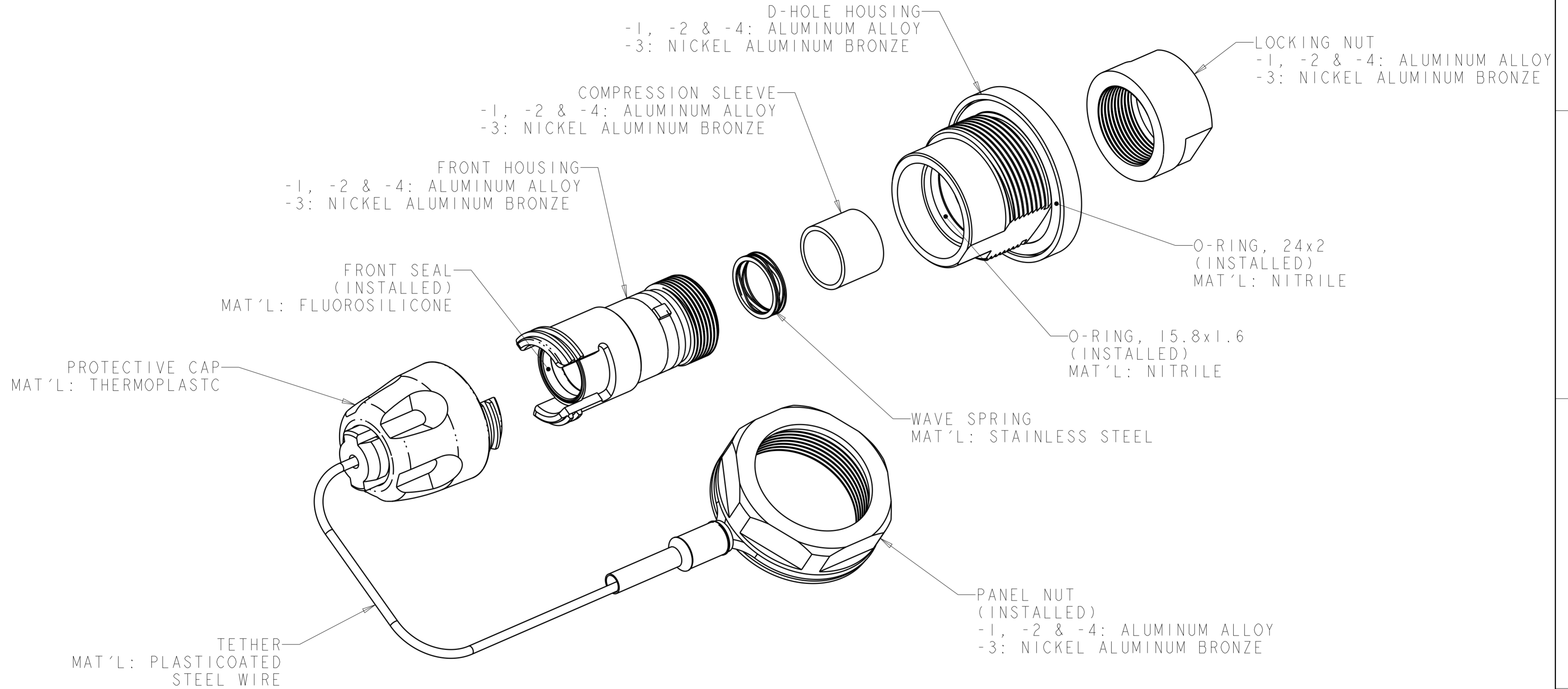
BLACK ZINC-NICKEL	ALUMINUM	1838699-4
NONE	NICKEL ALUMINUM BRONZE	1828699-3
OLIVE DRAB ZINC	ALUMINUM	1828699-2
HARD ANODIZE	ALUMINUM	1828699-1
HOUSING FINISH	HOUSING ALLOY	PART NUMBER

THIS DRAWING IS A CONTROLLED DOCUMENT.		DWN K. GLATFELTER 20 JUN 2005	STE TE Connectivity	
DIMENSIONS: mm		CHK D. WERTMAN 24 JUN 2005		
TOLERANCES UNLESS OTHERWISE SPECIFIED:		APVD D. WERTMAN 24 JUN 2005	NAME CONNECTOR SHELL KIT, D-HOLE BULKHEAD, PRO BEAM MINI	
0 PLC ±		PRODUCT SPEC	-	
1 PLC ±		APPLICATION SPEC	-	
2 PLC ±		WEIGHT	-	
3 PLC ±		Customer Drawing	SCALE	2:1
4 PLC ±			SHEET	1 OF 2
ANGLES ±			REV	A2
FINISH				
MATERIAL				
-				
-				

THIS DRAWING IS UNPUBLISHED. RELEASED FOR PUBLICATION 20
 © COPYRIGHT 20 BY - ALL RIGHTS RESERVED.

REVISIONS				
P	LTR	DESCRIPTION	DATE	APVD
-		SEE SHEET 1	-	-

1. SHIPPED LOOSE PIECE AS SHOWN.



THIS DRAWING IS A CONTROLLED DOCUMENT.		DWN K. GLATFELTER 20 JUN 2005	TE Connectivity	
		CHK D. WERTMAN 24 JUN 2005		
		APVD D. WERTMAN 24 JUN 2005	NAME CONNECTOR SHELL KIT, D-HOLE BULKHEAD, PRO BEAM MINI	
DIMENSIONS: mm 		PRODUCT SPEC	RESTRICTED TO	
TOLERANCES UNLESS OTHERWISE SPECIFIED: 0 PLC ± 1 PLC ± 2 PLC ± 3 PLC ± 4 PLC ± ANGLES ± FINISH -		APPLICATION SPEC	SIZE A200779	CAGE CODE C-1828699
MATERIAL		WEIGHT	SCALE 2:1 SHEET 2 OF 2 REV A2	
		Customer Drawing		

X-ON Electronics

Largest Supplier of Electrical and Electronic Components

Click to view similar products for [Fiber Optic Connectors](#) category:

Click to view products by [TE Connectivity](#) manufacturer:

Other Similar products are found below :

[0004700001](#) [6100-R](#) [6313](#) [F709034706](#) [F709722200](#) [F718183204](#) [F727403500](#) [F727752800](#) [FCXO-12-3BY](#) [FO-SCREW\(M2X6\)](#) [9440F20-27S-190](#) [944-120-6001](#) [944-125-6003](#) [9441F10SL-3S](#) [9446F10SL-4S](#) [953-101-5310-P](#) [954-101-57202B](#) [A0270169](#) [12-9122](#) [12-5702](#) [143025NC](#) [AX101713](#) [AX102420](#) [AX103923](#) [AX104141](#) [AX104193](#) [AX104228](#) [AX104230](#) [AX104562](#) [AX105203-B25](#) [AX105205-S1](#) [EHSC2M](#) [17-300800](#) [181-011-126](#) [BT34IW](#) [HRFCP-HSCJ-1\(61\)](#) [HRFC-R2\(40\)](#) [NKSOPBUY](#) [20500002116](#) [2064996-1](#) [20800001065](#) [2170](#) [9132](#) [2612](#) [2620](#) [9291](#) [9440F18-19S](#) [9440F20-14P](#) [9440F20-14PW](#) [9440W18-1S](#)