

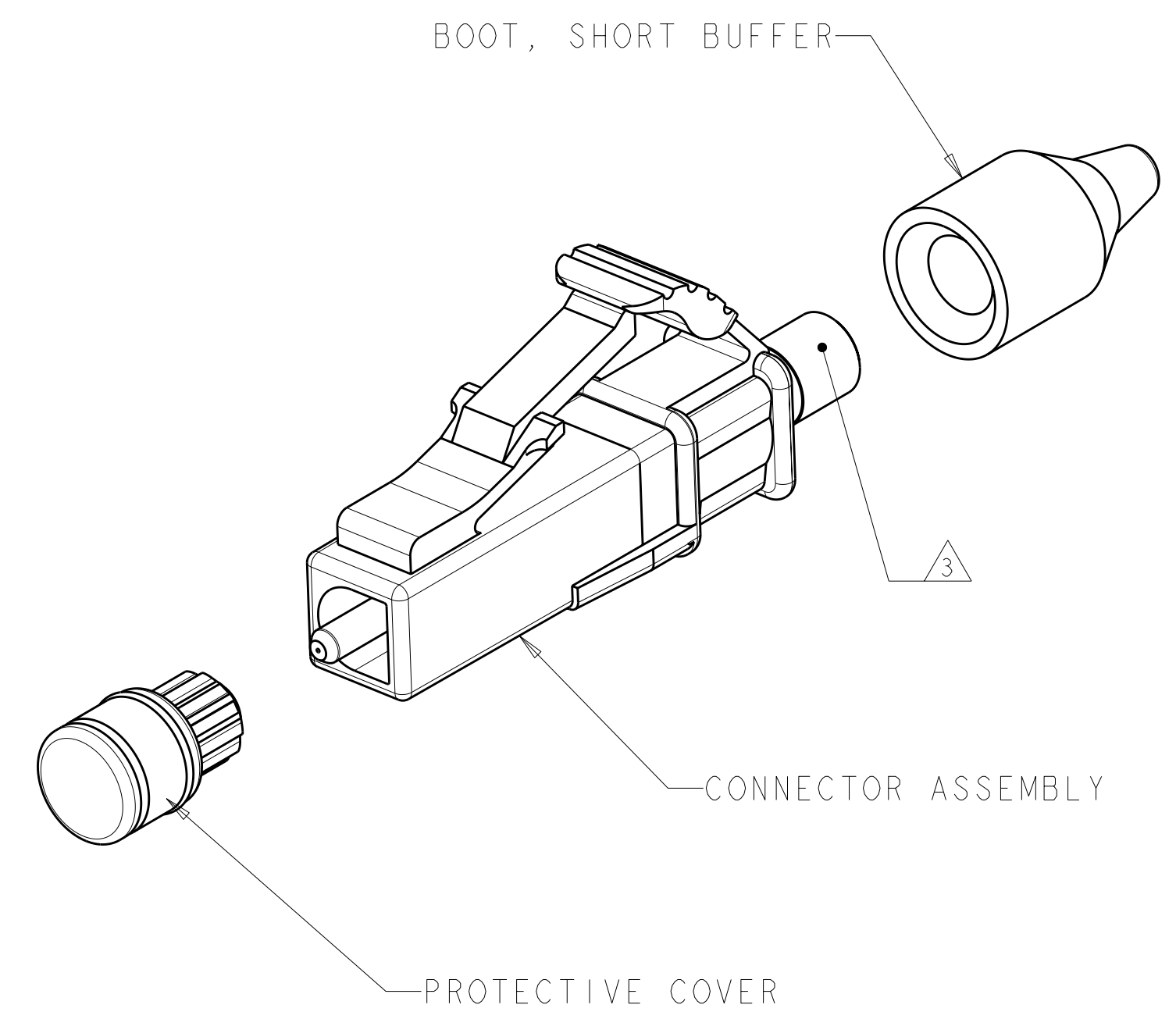
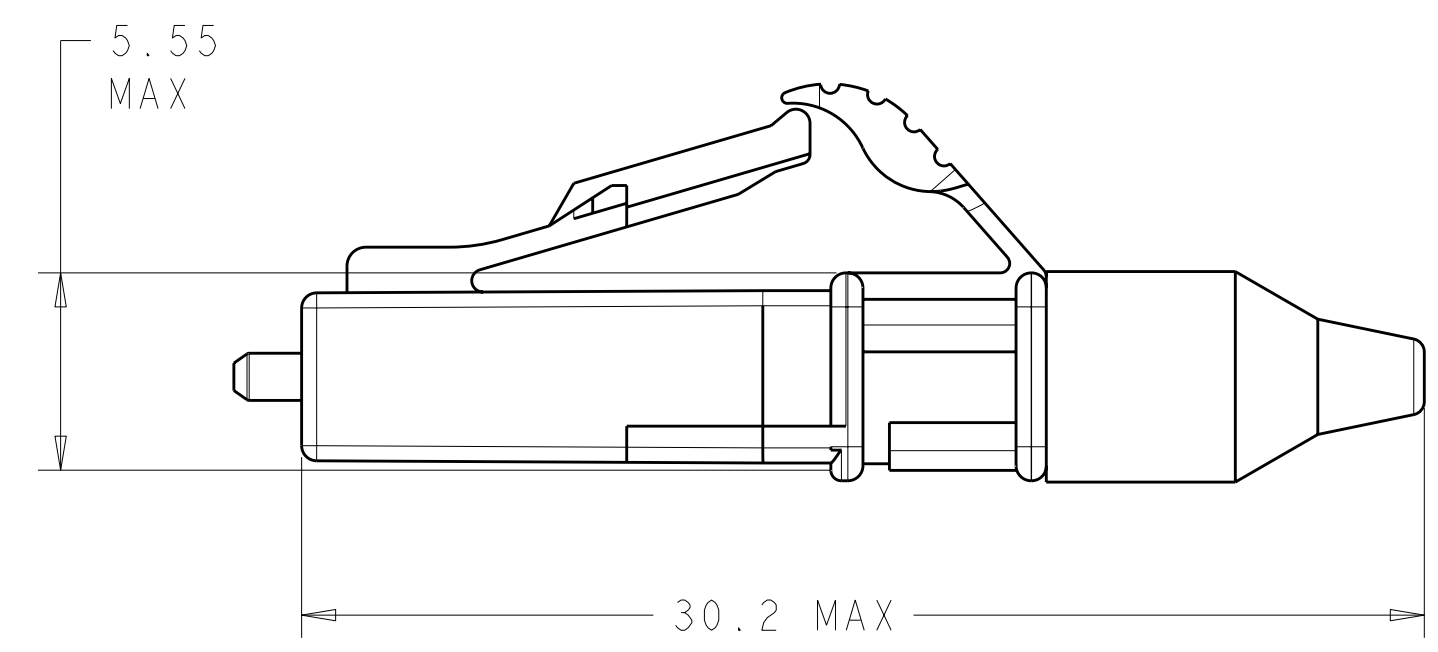
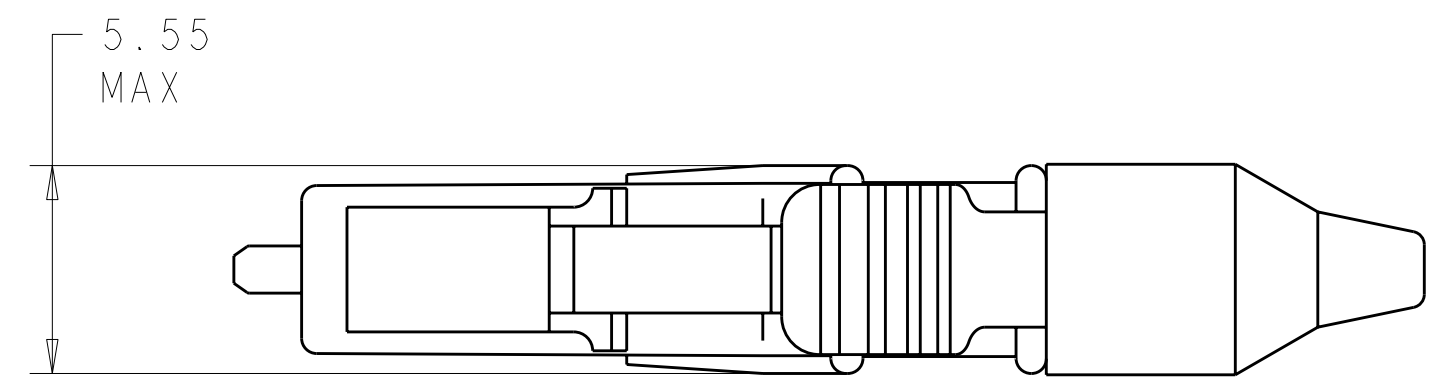
THIS DRAWING IS UNPUBLISHED. RELEASED FOR PUBLICATION 20
 © COPYRIGHT 20 BY TYCO ELECTRONICS CORPORATION. ALL RIGHTS RESERVED.

LOC	DIST	REVISIONS			
P	LTR	DESCRIPTION	DATE	DWN	APVD
CE	00				
	B2	REVISE NOTE 2	12MAR2009	BB	SB
	C	REVISED PER ECR 10-007692	06MAY2010	DLF	CB

1 MATERIAL: PROTECTIVE COVER: TPE, COLOR: BLACK, UL94 V-0*
 FERRULE SUB ASSEMBLY: ZIRCONIA/METAL.
 COMPRESSION SPRING: STAINLESS STEEL.
 HOUSING: PPSU, COLOR:SEE DASH NO'S.
 INNER TUBING: PTFE, COLOR: CLEAR, UL VW-1.
 REAR BODY: METAL
 BOOT: TPE, COLOR:BLUE, UL94 V-0*
 *RATED AT QUALIFYING THICKNESS.

2. INSTRUCTION SHEET: 408-8675 AVAILABLE FOR DOWNLOAD AT
www.tycoelectronics.com/documents OR www.ampnetconnect.com/foguide.

3 BLACK DOT SIGNIFIES SINGLEMODE.



SLATE	1-1828862-0
ORANGE	1828862-9
VIOLET	1828862-8
BROWN	1828862-7
AQUA	1828862-6
ROSE	1828862-5
BLUE	1828862-4
GREEN	1828862-3
YELLOW	1828862-2
RED	1828862-1
COLOR	PART NO

<small>THIS DRAWING IS A CONTROLLED DOCUMENT FOR TYCO ELECTRONICS CORPORATION IT IS SUBJECT TO CHANGE AND THE CONTROLLING ENGINEERING ORGANIZATION SHOULD BE CONTACTED FOR THE LATEST REVISION.</small>		DWN 22FEB2006 D. ERDMAN CHK 22FEB2006 M. GURRERI APVD 22FEB2006 D. BAECHTLE	Tyco Electronics Tyco Electronics Harrisburg, PA 17105-3608
DIMENSIONS: mm 	TOLERANCES UNLESS OTHERWISE SPECIFIED: 0 PLC ± 1 PLC ±0.1 2 PLC ±0.01 3 PLC ± 4 PLC ± ANGLES ± FINISH	PRODUCT SPEC - APPLICATION SPEC - WEIGHT -	NAME KIT, CONNECTOR, LC SECURE. SIMPLEX, SM, 900um BUFFER SIZE A2 CAGE CODE 00779 DRAWING NO 1828862 RESTRICTED TO
MATERIAL 		CUSTOMER DRAWING	SCALE 5:1 SHEET 1 OF 1 REV C

X-ON Electronics

Largest Supplier of Electrical and Electronic Components

Click to view similar products for [Fibre Optic Connectors](#) category:

Click to view products by [TE Connectivity](#) manufacturer:

Other Similar products are found below :

[0004700001](#) [6100-R](#) [6313](#) [F709034706](#) [F709722200](#) [F709730000](#) [F718183204](#) [F727403500](#) [F727752800](#) [8119](#) [9440F20-27S-190](#) [944-120-6001](#) [9441F10SL-3S](#) [9444W28-21S](#) [9444W36-10S](#) [9446F10SL-4S](#) [9446W20-16S](#) [953-101-5310-P](#) [954-101-57202B](#) [A0270169](#) [12-9122](#) [12-5702](#) [AX101713](#) [AX102420](#) [AX103923](#) [AX104024](#) [AX104193](#) [AX104230](#) [AX104562](#) [AX105203-B25](#) [AX105205-S1](#) [EHSC2M](#) [181-011-126](#) [181-011-S](#) [181-057-126](#) [HRFC-R2\(40\)](#) [NKSOPBUY](#) [20500002116](#) [2064996-1](#) [20800001065](#) [2170](#) [9132](#) [2612](#) [2620](#) [9291](#) [9440F16-10S](#) [9440F20-18S](#) [9442W14S-10P](#) [9446F16-10S-190](#) [953-106-50231](#)