

THIS DRAWING IS UNPUBLISHED. RELEASED FOR PUBLICATION 20
 © COPYRIGHT 20 BY TYCO ELECTRONICS CORPORATION. ALL RIGHTS RESERVED.

LOC	DIST	REVISIONS			
P	LTR	DESCRIPTION	DATE	DWN	APVD
	B	ECR-08-007620	1-15-09	DDE	LS
	B1	ADD NOTE 2	12MAR2009	BB	SB
	B2	REMOVE NOTE 6	03AUG2009	KG	LS

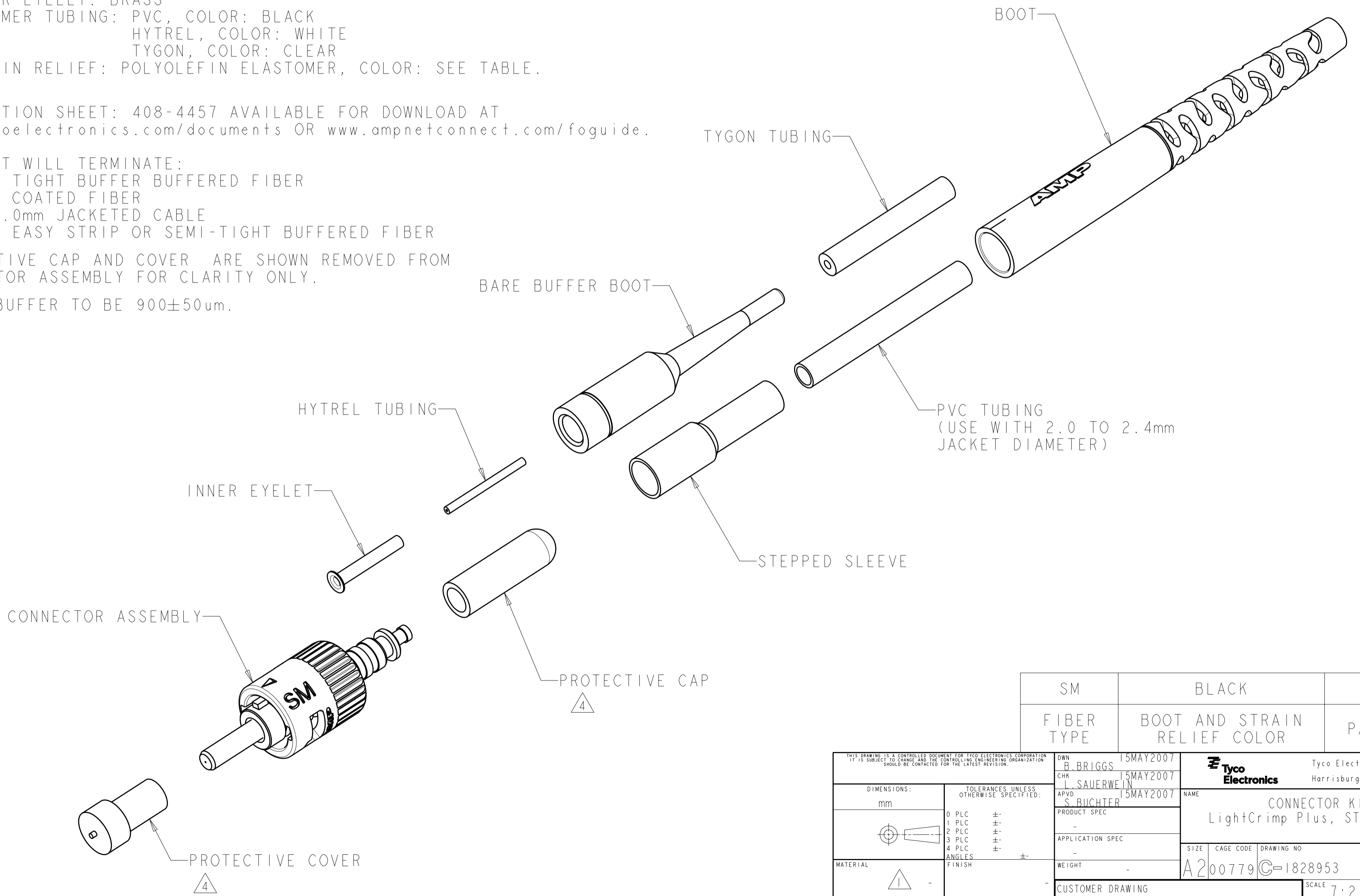
- 1 MATERIAL:
 CONNECTOR ASSEMBLY
 REAR BODY: ALUMINUM ALLOY
 PLUNGER: ALUMINUM ALLOY
 FERRULE: CERAMIC
 COUPLING NUT: ZINC, NICKEL PLATED
 INTERNAL COMPONENTS: PEI, COLOR: NATURAL
 PROTECTIVE COVER: LDPE, COLOR: BLACK, NON-FR
 PROTECTIVE CAP: VINYL, COLOR: BLACK
 CRIMP EYELET: COPPER, NICKEL PLATED
 INNER EYELET: BRASS
 POLYMER TUBING: PVC, COLOR: BLACK
 HYTREL, COLOR: WHITE
 TYGON, COLOR: CLEAR
 STRAIN RELIEF: POLYOLEFIN ELASTOMER, COLOR: SEE TABLE.

2. INSTRUCTION SHEET: 408-4457 AVAILABLE FOR DOWNLOAD AT
www.tycoelectronics.com/documents OR www.ampnetconnect.com/foguide.

3. THIS KIT WILL TERMINATE:
 900um TIGHT BUFFER BUFFERED FIBER
 250um COATED FIBER
 2.0-3.0mm JACKETED CABLE
 900um EASY STRIP OR SEMI-TIGHT BUFFERED FIBER

4 PROTECTIVE CAP AND COVER ARE SHOWN REMOVED FROM
 CONNECTOR ASSEMBLY FOR CLARITY ONLY.

5. TIGHT BUFFER TO BE 900±50um.



SM	BLACK	1828953-3
FIBER TYPE	BOOT AND STRAIN RELIEF COLOR	PART NUMBER

<small>THIS DRAWING IS A CONTROLLED DOCUMENT FOR TYCO ELECTRONICS CORPORATION. IT IS SUBJECT TO CHANGE AND THE CONTROLLING ENGINEERING ORGANIZATION SHOULD BE CONTACTED FOR THE LATEST REVISION.</small>		DWN B. BRIGGS 15MAY2007 CHK L. SAUERWEIN 15MAY2007 APVD S. BUCHTER 15MAY2007	Tyco Electronics Tyco Electronics Harrisburg, PA 17105-3608
DIMENSIONS: mm 	TOLERANCES UNLESS OTHERWISE SPECIFIED: 0 PLC ± 1 PLC ± 2 PLC ± 3 PLC ± 4 PLC ± ANGLES ± FINISH	PRODUCT SPEC APPLICATION SPEC WEIGHT CUSTOMER DRAWING	NAME CONNECTOR KIT, LightCrimp Plus, ST STYLE, SM SIZE CAGE CODE DRAWING NO RESTRICTED TO A200779 C-1828953 - SCALE 7:2 SHEET 1 OF 1 REV B2

X-ON Electronics

Largest Supplier of Electrical and Electronic Components

Click to view similar products for [Fibre Optic Connectors](#) category:

Click to view products by [TE Connectivity](#) manufacturer:

Other Similar products are found below :

[0004700001](#) [6100-R](#) [6313](#) [F709034706](#) [F709730000](#) [F718183204](#) [F727403500](#) [F727752800](#) [8119](#) [9440F20-27S-190](#) [944-120-6001](#)
[9441F10SL-3S](#) [9444W28-21S](#) [9444W36-10S](#) [9446F10SL-4S](#) [9446W20-16S](#) [953-101-5310-P](#) [954-101-57202B](#) [A0270169](#) [12-9122](#) [12-5702](#)
[AX101713](#) [AX102420](#) [AX103923](#) [AX104024](#) [AX104193](#) [AX104230](#) [AX104498](#) [AX104562](#) [AX105203-B25](#) [AX105205-S1](#) [EHSC2M](#)
[181-011-126](#) [181-011-S](#) [181-057-126](#) [HRFC-R2\(40\)](#) [NKSOPBUY](#) [20500002116](#) [2064996-1](#) [20800001065](#) [2170](#) [9132](#) [2612](#) [2620](#) [9291](#)
[9440F16-10S](#) [9440F20-18S](#) [9446F16-10S-190](#) [953-106-50231](#) [953-120-5003](#)