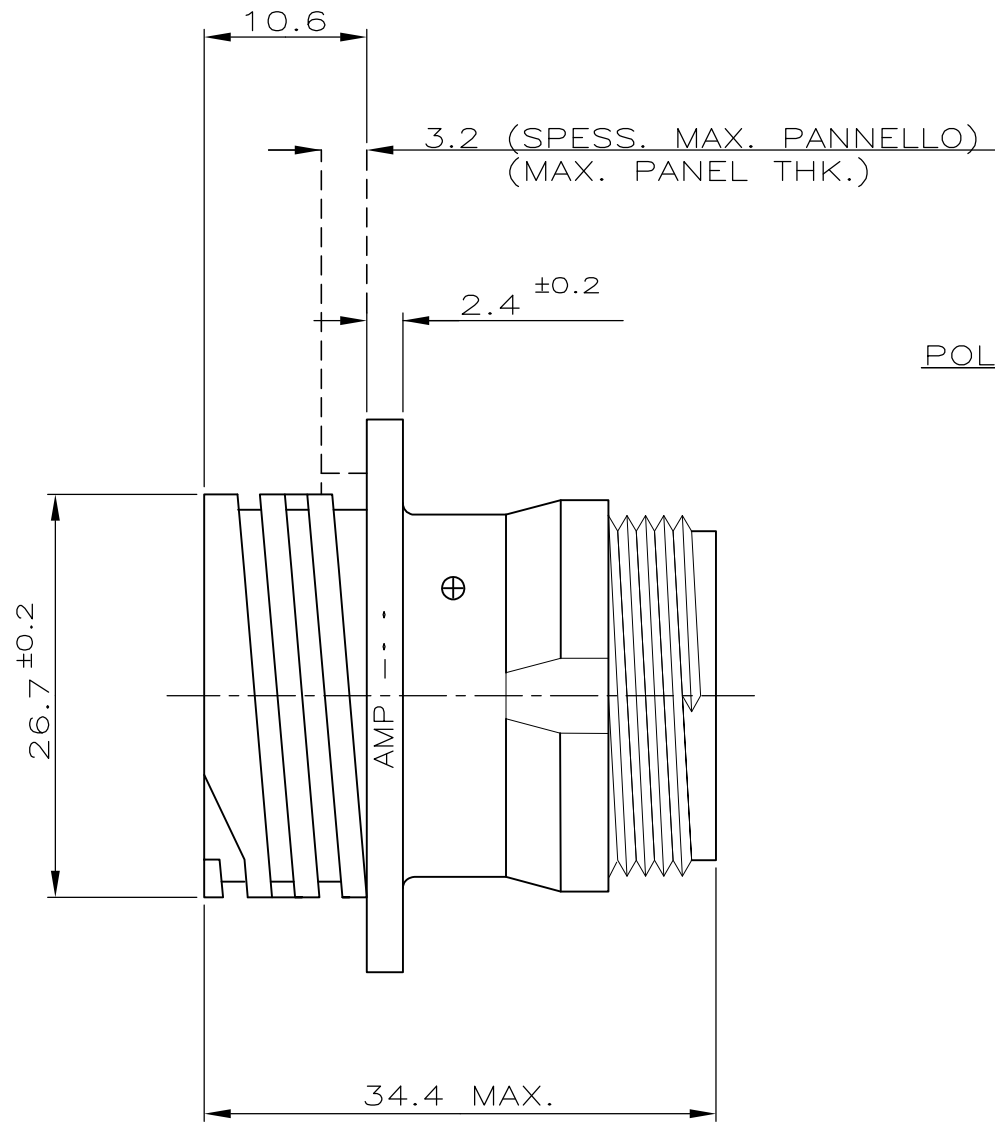


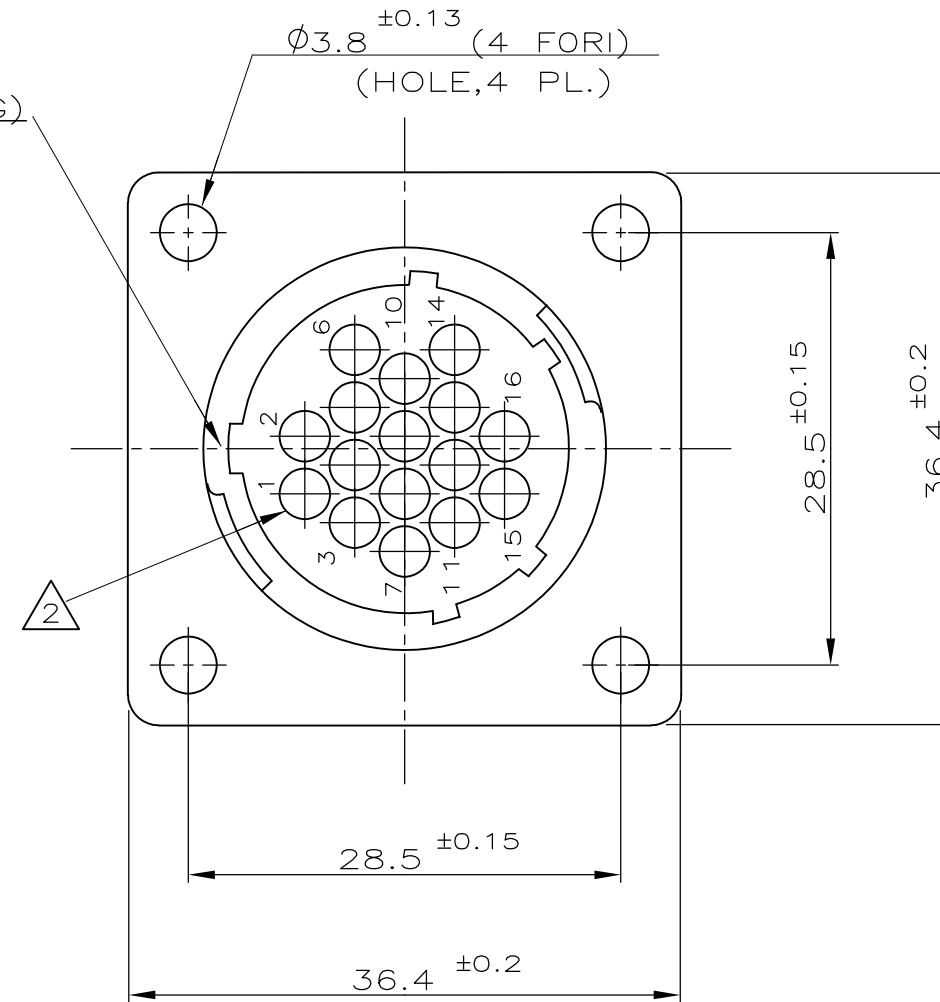
SCALA NON IMPEGNATIVA
(DO NOT SCALE)
DIMENSIONI IN mm
(DIMENSIONS IN mm)

METRIC

PROIEZIONE EUROPEA
(EUROPEAN PROJECTION)



POLARIZZAZIONE (KEYING)



NOTE (NOTES)

1. MATERIALE (MATL.): TERMOPLASTICO COLORE NERO (THERMOPLASTIC, BLACK COLOR).

2. OGNI CAVITA' E' IDENTIFICATA DAL NUMERO POSTO SIA SUL FRONTE CHE SUL RETRO DEL CONNETTORE. (CONTACT CAVITIES IDENTIFIED BY CHARACTERS)

3. QUESTO CONNETTORE E' APPROVATO CON FILE N.E28476 E CERTIFICATO CON FILE N.LR7189A-259 (THIS CONNECTOR IS RECOGNIZED BY FILE N.E28476 AND CERTIFIED BY FILE N.LR7189A-259)

IL DISEGNO INDICA IL P.N. 182916-1
(P.N. 182916-1 AS SHOWN)

CUSTOMER DRAWING FOR REFERENCE ONLY		DISEGNO PER CLIENTE SOLO PER RIFERIMENTO	
THIS DRAWING IS UNPUBLISHED		RELEASE FOR PUBLICATION 1991	
© COPYRIGHT BY , ALL INTERNATIONAL RIGHT RESERVED.			
TOLLERANZE: SE NON DIVERSAMENTE SPECIFICATO (TOLERANCES: UNLESS OTHERWISE SPECIFIED)	DIAM. ISOLANTE (INS. DIA. RANGE)	RANGO FILO (WIRE RANGE)	SCALA (SCALE)
± 0.3	-	-	-
ANGOLI (ANGLES)	TE Connectivity		
± 2°	DESCRIZIONE (DESCRIPTION) C.P.C. SQUARE FLANGE RECEPTACLE FOR PIN CTC.S. SIZE 17-16, STD. SEX		
DIS. (DR.) C.CORDOLA 22 JUNE 91	LOC. SIZE	NUMERO (DWG NO)	REV. FOGLIO (SHEET)
CONT. (CHK) -	1 A3	C-182916	B4 1 (OF) 1
REV. (REV.) B4	REVISIONI (REVISION RECORD)	DIS. DATA (DR.)	APP. (APP.)
REVIS. 99	ECO-11-005140	11 APR 91	

DISTRIBUZIONE (PRINT. DIST.)

X-ON Electronics

Largest Supplier of Electrical and Electronic Components

Click to view similar products for [Standard Circular Connector](#) category:

Click to view products by [TE Connectivity](#) manufacturer:

Other Similar products are found below :

[5M2530B10P](#) [600259N006](#) [600273N007](#) [6134-336-13149](#) [6134-337-11149](#) [6134-337-2390](#) [6134-341-17149](#) [6280-4SG-516](#) [6280-7SG-3DC](#)
[6290](#) [6291A](#) [66200A-10](#) [680-SMG](#) [681-PMG](#) [CXS3102A14S2P](#) [CXS3102A181S](#) [7271-6SG-300](#) [7282-3PG-300-CH3](#) [75-474014-05S](#) [75-](#)
[474618-01S](#) [75-474618-04P](#) [75-474618-04S](#) [799539-000](#) [MI8-SE](#) [805-005-07NF11-19PC](#) [805-005-07NF15-7PA](#) [8280-4PG-516](#) [8280-7PG-](#)
[519](#) [8282-5PG-519](#) [836783-1](#) [MP-4102-25P-C](#) [862256-1](#) [864019-2](#) [866857-1](#) [867865-1](#) [PT01SP-14-18P](#) [PT08P-14-5S](#) [120-1833-000](#)
[QCM019PC2DC012B](#) [1-2069279-1](#) [121583-0217](#) [121667-0020](#) [129591AU](#) [1000B BULK](#) [RD10A16-19-P6CS051/1](#) [RD10A20-31-](#)
[P8CS051/1](#) [RD16A14-12-S6CS051/2](#) [1301240290](#) [1301240347](#) [1301860202](#) [1301240268](#)