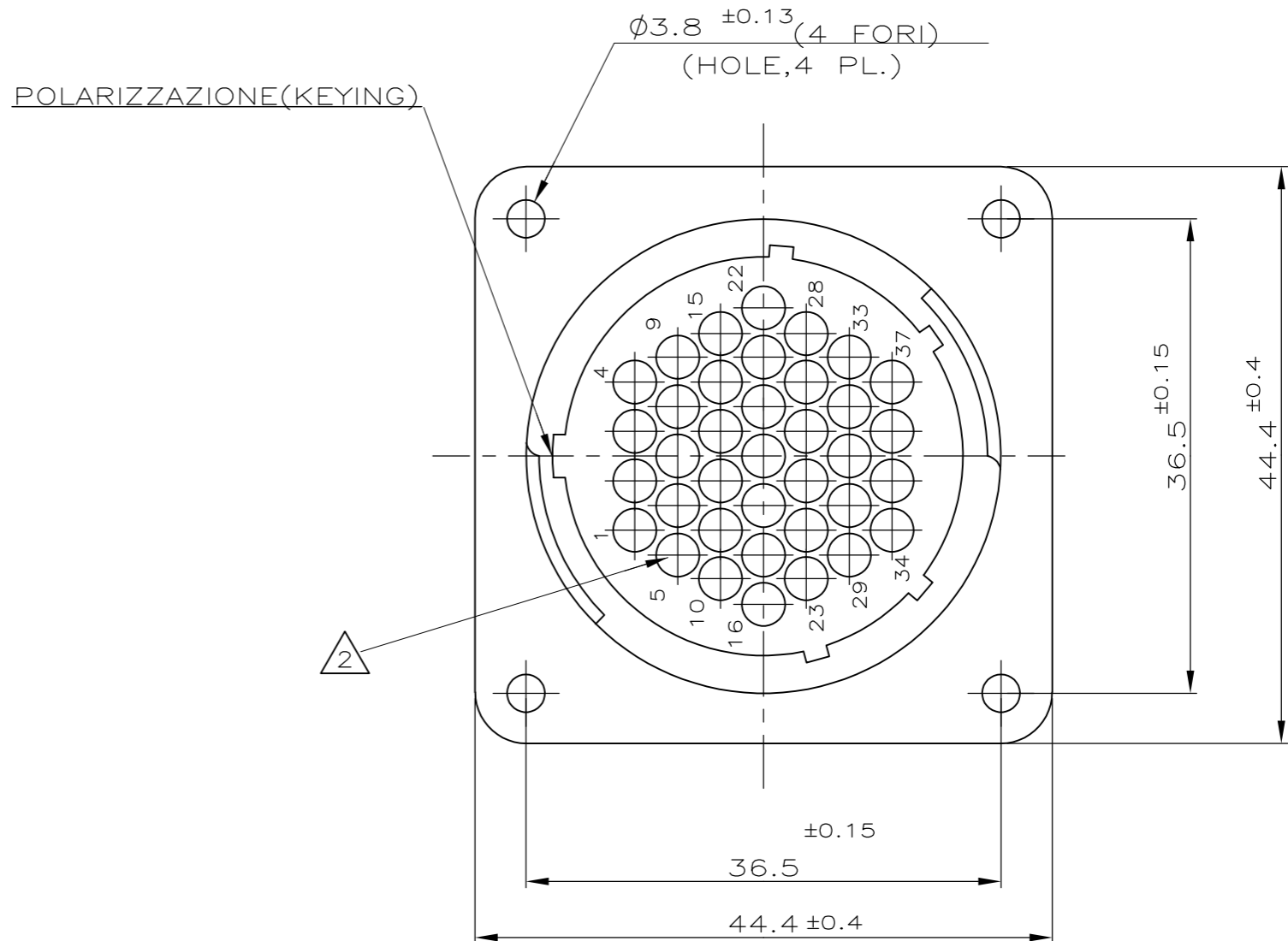
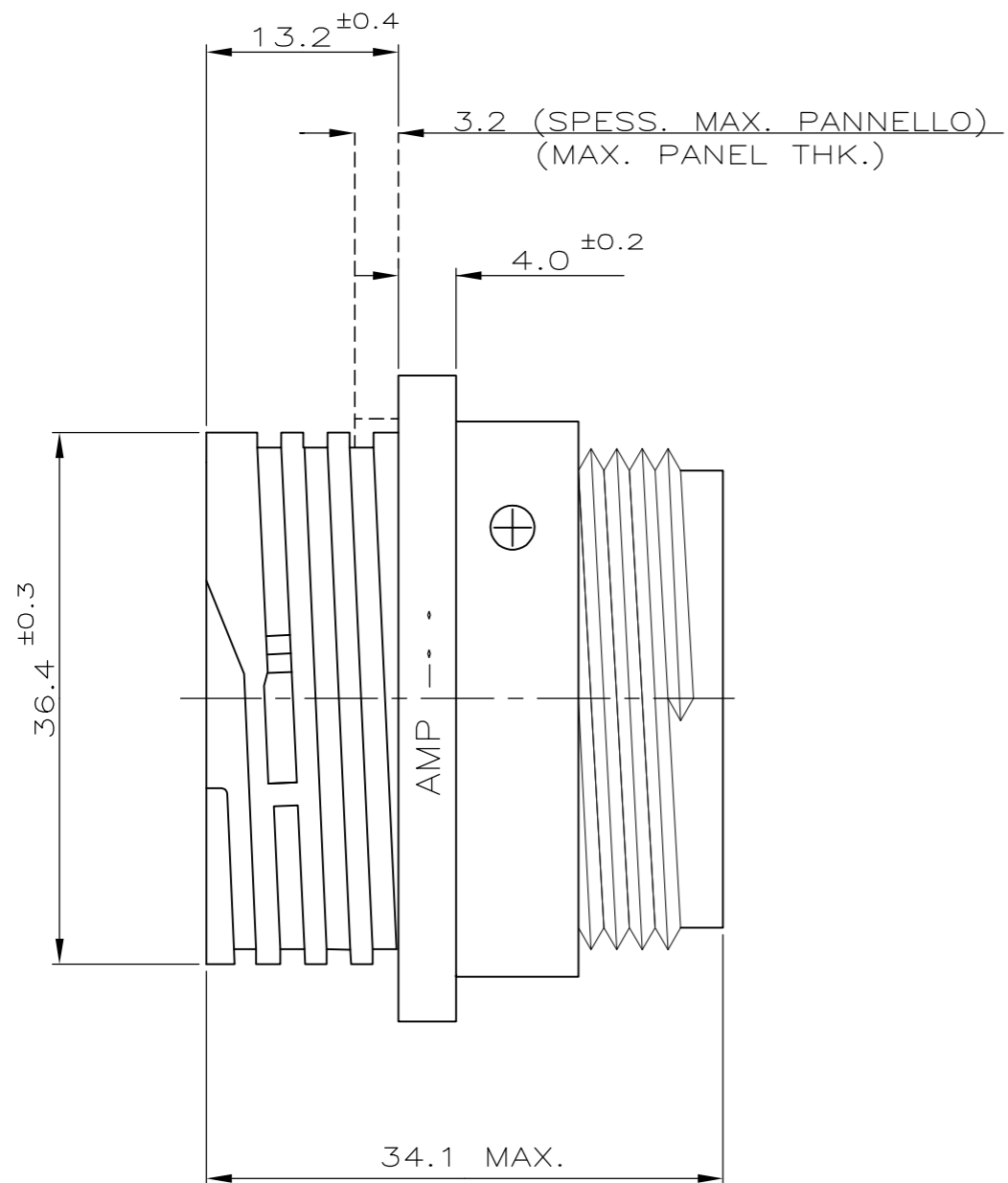


SCALA NON IMPEGNATIVA  
(DO NOT SCALE)  
DIMENSIONI IN mm  
(DIMENSIONS IN)

**METRIC**

PROIEZIONE EUROPEA  
(EUROPEAN PROJECTION)



NOTE (NOTES)

1. MATERIALE: PA 6-6 25% CARICA VETRO UL RECOGNIZED, COLORE NERO.  
(MATERIAL: PA 6-6 25% G.F. FILLED UL RECOGNIZED, BLACK COLOR.)

2. OGNI CAVITA' E' IDENTIFICATA DAL NUMERO POSTO SIA SUL FRONTE CHE SUL RETRO DEL CONNETTORE.  
(CONTACT CAVITIES IDENTIFIED BY CHARACTERS)  
(ON FRONT AND REAR FACES OF CONNECTOR.)

3. QUESTO CONNETTORE E' APPROVATO CON FILE N.E28476 E CERTIFICATO CON FILE N.LR7189A-259  
(THIS CONNECTOR IS RECOGNIZED BY FILE N.E28476 AND CERTIFIED BY FILE N.LR7189A-259)

IL DISEGNO INDICA IL P.N. 182918-1  
(P.N. 182918-1 AS SHOWN)

				CUSTOMER DRAWING FOR REFERENCE ONLY		DISEGNO PER CLIENTE SOLO PER RIFERIMENTO	
				THIS DRAWING IS UNPUBLISHED		RELEASE FOR PUBLICATION 1991	
				© COPYRIGHT BY ,		ALL INTERNATIONAL RIGHT RESERVED.	
				TOLLERANZE: SE NON DIVERSAMENTE SPECIFICATO (TOLERANCES: UNLESS OTHERWISE SPECIFIED)		DIAM. ISOLANTE (INS. DIA. RANGE)	
				± 0.3		RANGO FILO (WIRE RANGE)	
				ANGOLI (ANGLES)		SCALA (SCALE)	
				± 2°		-	
				DIS. (DR.) C.CORDOLA 22 JUNE 91		DESCRIZIONE (DESCRIPTION) C.P.C. SQUARE FLANGE RECEPTACLE FOR PIN CTC.S, SIZE 23-37, STD. SEX	
				CONT. (CHK) R.CANTORE 22 JUNE 91			
C3		REVISED PER ECO-11-005140		RK		05APR 11	
REV. (REV.LTR.)		REVISIONI (REVISION RECORD)		DIS. (DR.)		DATA (DATE)	
				APP. (APP.)			
				LOC. SIZE		NUMERO (DWG NO)	
				A3 C		182918	
				REV.		FOGLIO (SHEET)	
				C3		1 (OF) 1	

DISTRIBUZIONE  
(PRINT DIST.)

## X-ON Electronics

Largest Supplier of Electrical and Electronic Components

*Click to view similar products for [Standard Circular Connector](#) category:*

*Click to view products by [TE Connectivity](#) manufacturer:*

Other Similar products are found below :

[5M2530B10P](#) [600259N006](#) [600273N007](#) [6134-336-13149](#) [6134-337-11149](#) [6134-337-2390](#) [6134-341-17149](#) [6280-4SG-516](#) [6280-7SG-3DC](#)  
[6290](#) [6291A](#) [66200A-10](#) [680-SMG](#) [681-PMG](#) [CXS3102A14S2P](#) [CXS3102A181S](#) [7271-6SG-300](#) [7282-3PG-300-CH3](#) [75-474014-05S](#) [75-](#)  
[474618-01S](#) [75-474618-04P](#) [75-474618-04S](#) [799539-000](#) [MI8-SE](#) [805-005-07NF11-19PC](#) [805-005-07NF15-7PA](#) [8280-4PG-516](#) [8280-7PG-](#)  
[519](#) [8282-5PG-519](#) [836783-1](#) [MP-4102-25P-C](#) [862256-1](#) [864019-2](#) [866857-1](#) [867865-1](#) [PT01SP-14-18P](#) [PT08P-14-5S](#) [120-1833-000](#)  
[QCM019PC2DC012B](#) [1-2069279-1](#) [121583-0217](#) [121667-0020](#) [129591AU](#) [1000B BULK](#) [RD10A16-19-P6CS051/1](#) [RD10A20-31-](#)  
[P8CS051/1](#) [RD16A14-12-S6CS051/2](#) [1301240290](#) [1301240347](#) [1301860202](#) [1301240268](#)