

THIS DRAWING IS UNPUBLISHED.

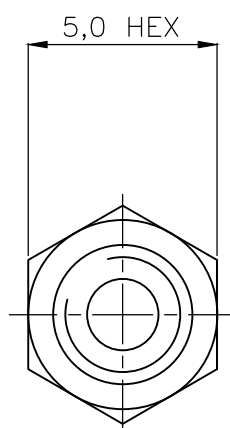
RELEASED FOR PUBLICATION

REVISIONS

© COPYRIGHT - By -

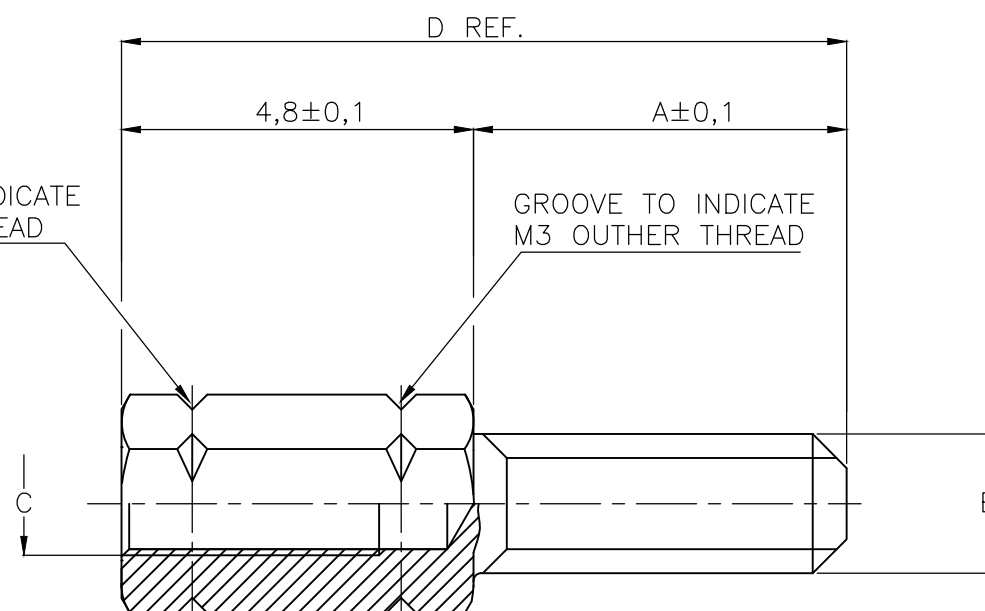
ALL RIGHTS RESERVED.

| P | LTR | DESCRIPTION               | DATE      | DWN | APVD |
|---|-----|---------------------------|-----------|-----|------|
|   | K   | REVISED PER ECO-16-011204 | 29AUG2016 | AP  | DG   |



GROOVE TO INDICATE M3 INNER THREAD

GROOVE TO INDICATE M3 OUTER THREAD



|              | DIM "D"         | DIM "C"  | DIM "B"  | DIM "A" | FINISH              | MATERIAL | PART NUMBER           |
|--------------|-----------------|----------|----------|---------|---------------------|----------|-----------------------|
| <del>1</del> | <del>10,8</del> | 4-40 UNC | 4-40 UNC | 6,0     | TINPLATED           | BRASS    | <del>3-829261-0</del> |
| <del>1</del> | <del>10,8</del> | M3       | 4-40 UNC | 5,0     |                     |          | <del>2-829261-8</del> |
|              | 9,8             | 4-40 UNC | M3       | 5,0     |                     |          | 2-829261-6            |
|              | 9,8             | M3       | M3       | 5,0     |                     |          | 2-829261-4            |
|              | 9,8             | 4-40 UNC | 4-40 UNC | 5,0     |                     |          | 2-829261-2            |
| <del>1</del> | <del>19,0</del> | M3       | 4-40 UNC | 14,2    |                     |          | <del>1-829261-8</del> |
|              | 19,0            | 4-40 UNC | M3       | 14,2    |                     |          | 1-829261-6            |
|              | 19,0            | M3       | M3       | 14,2    |                     |          | 1-829261-4            |
| <del>1</del> | <del>12,7</del> | 4-40 UNC | 4-40 UNC | 14,2    |                     |          | 1-829261-2            |
|              | 12,7            | M3       | 4-40 UNC | 7,9     |                     |          | 829261-8              |
|              | 12,7            | 4-40 UNC | M3       | 7,9     | 829261-6            |          |                       |
|              | 12,7            | M3       | M3       | 7,9     | <del>829261-4</del> |          |                       |
|              | 12,7            | 4-40 UNC | 4-40 UNC | 7,9     | 829261-2            |          |                       |

**1** OBSOLETE PARTS: OBSOLETE CIS STREAMLINING  
PER D.RENAUD/D.SINISI

|   |  |                               |  |           |            |               |
|---|--|-------------------------------|--|-----------|------------|---------------|
| THIS DRAWING IS A CONTROLLED DOCUMENT.  |  | DWN<br>D.KESSLER<br>02APR91   | TE Connectivity<br>SCREWLOCK, FEMALE HD-SERIES |           |            |               |
| DIMENSIONS: mm  |  | CHK<br>C.V.TILBURG<br>23APR91 |  |           |            |               |
| TOLERANCES UNLESS OTHERWISE SPECIFIED:  |  | APVD<br>L.V.SOEST<br>25APR91  |  |           |            |               |
| 0 PLC ± -<br>1 PLC ± 0,2<br>2 PLC ± -<br>3 PLC ± -<br>4 PLC ± -<br>ANGLES ± - |  | NAME                          |  |           |            |               |
| MATERIAL  |  | PRODUCT SPEC                  | SIZE   | CAGE CODE | DRAWING NO | RESTRICTED TO |
| FINISH  |  | APPLICATION SPEC              | 0  | A300779   | C-829261   | -             |
| CUSTOMER DRAWING  |  |                               | WEIGHT   | SCALE     | SHEET      | REV           |
|   |  |                               | 0  | NTS       | 1 OF 1     | K             |

## X-ON Electronics

Largest Supplier of Electrical and Electronic Components

*Click to view similar products for [D-Sub Tools & Hardware](#) category:*

*Click to view products by [TE Connectivity](#) manufacturer:*

Other Similar products are found below :

[000-01-09-132](#) [000-01-21-132](#) [000-01-31-162](#) [572019-00105-70](#) [000-01-37-162](#) [621-250-113-115](#) [D110550-2](#) [D20418-137](#) [780-518-50SG6-WS](#) [86552009](#) [86553115TLF](#) [86553117TLF](#) [1230032-1](#) [1-5021101-2](#) [15-000050](#) [1589283-4](#) [160-000-005R031](#) [16-000230](#) [160-025-004R031](#) [160-000-137R000](#) [160-020-209R000](#) [160X10909X](#) [164C03939A](#) [177-505-A-2-2](#) [1-966830-8](#) [21018-6](#) [21028-2](#) [2-1393560-9](#) [JS-1000](#) [L17D204182M3E](#) [L17D53018](#) [300X10779X](#) [160X10189X](#) [160X10419X](#) [162-000-050R000](#) [21018-5](#) [212561-3](#) [248C21550X](#) [CF15P](#) [QLOCKPOST-2](#) [D110277](#) [500-008NF1K-01](#) [500-008NF3R3KS-01](#) [500-017M09FN](#) [500-017M15MHN](#) [500-024M1](#) [500-068M3](#) [5-1393561-5](#) [C115373-0001](#) [C115373-0002](#)