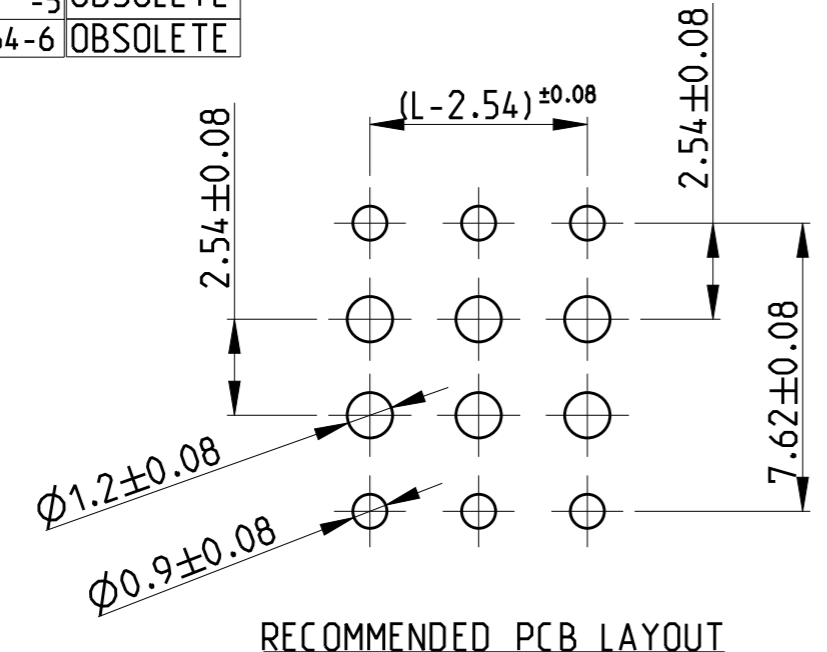
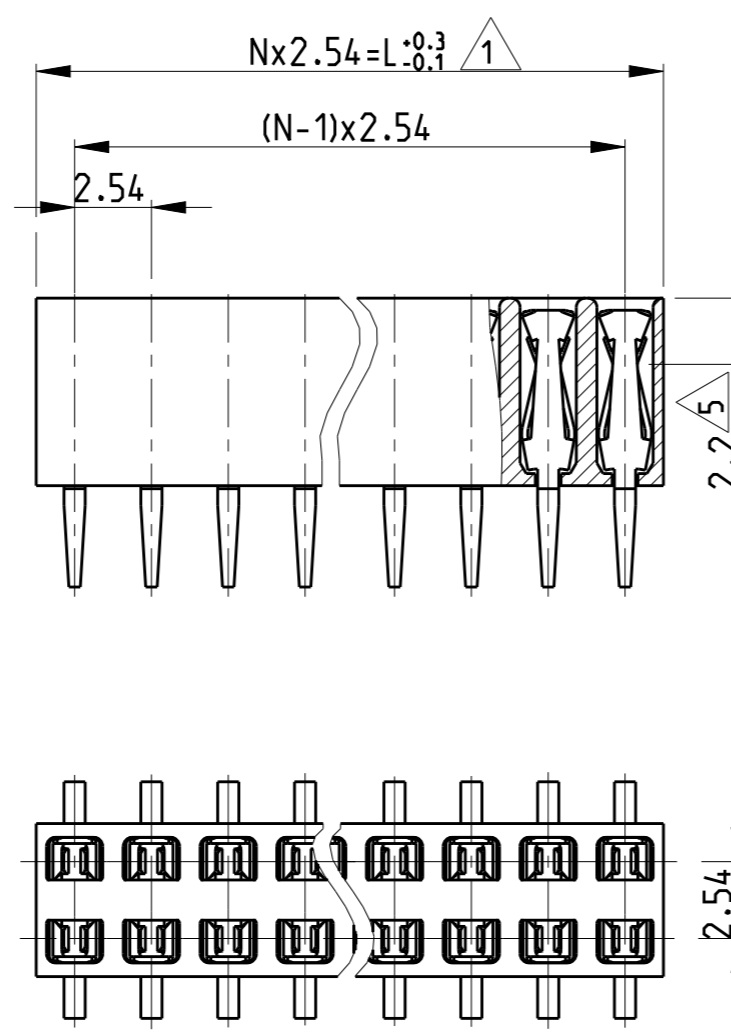


© 2019 TE Connectivity. All Rights Reserved.

| POS. PER ROW 'N' | L | PART NUMBER |
|------------------|-------|---------------------|
| 2 | 5.08 | 829264-2 |
| 3 | 7.62 | -3 |
| 4 | 10.16 | -4 |
| 5 | 12.70 | -5 |
| 6 | 15.24 | -6 |
| 7 | 17.78 | -7 |
| 8 | 20.32 | -8 |
| 9 | 22.86 | -9 |
| 10 | 25.40 | 1- -0 |
| 11 | 27.94 | 1- -1 |
| 12 | 30.48 | 1- -2 |
| 13 | 33.02 | 1- -3 |
| 14 | 35.56 | 1- -4 OBSOLETE |
| 15 | 38.10 | 1- -5 |
| 16 | 40.64 | 1- -6 |
| 17 | 43.18 | 1- -7 |
| 18 | 45.72 | 1- -8 |
| 19 | 48.26 | 1- -9 |
| 20 | 50.80 | 2- -0 OBSOLETE |
| 21 | 53.34 | 2- -1 OBSOLETE |
| 22 | 55.88 | 2- -2 |
| 23 | 58.42 | 2- -3 |
| 24 | 60.96 | 2- -4 OBSOLETE |
| 25 | 63.50 | 2- -5 |
| 26 | 66.04 | 2- -6 |
| 27 | 68.58 | 2- -7 OBSOLETE |
| 28 | 71.12 | 2- -8 OBSOLETE |
| 29 | 73.66 | 2- -9 |
| 30 | 76.2 | 3- -0 |
| 31 | 78.74 | 3- -1 OBSOLETE |
| 32 | 81.28 | 3- -2 |
| 33 | 83.82 | 3- -3 |
| 34 | 86.36 | 3- -4 |
| 35 | 88.90 | 3- -5 OBSOLETE |
| 36 | 91.44 | 3-829264-6 OBSOLETE |



RECOMMENDED PCB LAYOUT

| REVISIONS | | | | | |
|-----------|-----|----------------------------------|-----------|-----|------|
| P | LTR | DESCRIPTION | DATE | DWN | APVD |
| E | | PLASTIC MATERIAL SUPPLIER CHANGE | 22MAR2019 | SS | PS |

- NOTES:
- 1 TO DETERMINE DIMENSIONS TAKE 2xN = NR. OF POS.
FOR EXAMPLE: 2x10 POS; N x 2.54= 25.4mm
FOR ORDER NO: USE BASIC - NR. + NR. OF POS.
FOR EXAMPLE: 2x2POS. = 829264-2 (SHORTEST VERSION)
2x36POS. =3-829264-6 (LONGEST VERSION)
 - 2 HOUSING MATERIAL: PBT GREEN GLASS FILLED. UL 94V-0
CONTACT MATERIAL: PHOSPHOR BRONZE
 - 3 PLATING: UNDER COATING: 1.3 µm Ni
AT CONT. PLACE: 0.8 µm Au
AT SOLDER-TYNES: 3.0-5.0 µm Sn
 - 4 MATES WITH 0.63 SQUARE/ROUND MODU POSTS
 - 5 CONTACT POINT
 - 6 RECOMMENDED PC BOARD THICKNESS: 1.6mm
 - 7 HV100 CONNECTOR PACKED IN ANTI-STATIC BLISTER TRAY
 - 8 OBSOLETE PARTS: OBSOLETE CIS STREAMLINING PER D.RENAUD/D.SINISI

| | | | | | |
|---|--|------------------------|-----------|---|------------|
| THIS DRAWING IS A CONTROLLED DOCUMENT. | | DWN A.HQ | 26MAY1988 | | |
| DIMENSIONS: mm | | CHK M.SCHAARSCHMIDT | 06DEC1990 | | |
| TOLERANCES UNLESS OTHERWISE SPECIFIED: ±0.15 | | APVD | - | NAME HV100 CONNECTOR VERTICAL, 6.2mm TOP ENTRY, DUAL ROW, GOLD | |
| 0 PLC ± | | PRODUCT SPEC | 108-19056 | SIZE | |
| 1 PLC ± | | APPLICATION SPEC | - | CAGE CODE | DRAWING NO |
| 2 PLC ± | | WEIGHT | - | A3 | 00779 |
| 3 PLC ± | | CUSTOMER DRAWING | - | C-829264 | |
| 4 PLC ± | | SCALE | 4:1 | SHEET 1 OF 1 | |
| ANGLES ±3° | | RESTRICTED TO | - | REV E | |
| FINISH | | | | | |

X-ON Electronics

Largest Supplier of Electrical and Electronic Components

Click to view similar products for [Headers & Wire Housings](#) category:

Click to view products by [TE Connectivity](#) manufacturer:

Other Similar products are found below :

[892-18-020-10-001101](#) [58102-G61-06LF](#) [582553-1](#) [0009485154](#) [009176003701906](#) [0050291907](#) [LY20-4P-DT1-P1E-BR](#) [02.125.8002.8](#)
[609-3404](#) [61062-3](#) [61082-181009](#) [622-3653LF](#) [63453-116](#) [636-1030](#) [636-1427](#) [636-3427](#) [636-4007](#) [641938-9](#) [641991-4](#) [644827-2](#) [65817-](#)
[010LF](#) [65817-015LF](#) [65863-015LF](#) [66207-023LF](#) [67095-007LF](#) [67601157](#) [68645-018](#) [68648-049](#) [70.362.1628.0](#) [70-4210](#) [70-4226B](#) [70-](#)
[4853B](#) [707-5020](#) [707-5028](#) [71.350.2428.0](#) [71918-208LF](#) [71961-016LF](#) [733-134](#) [733-162](#) [754199-000](#) [760-3052](#) [79531-3000](#) [FCN-](#)
[360C032-B](#) [FCN-367T-T012/H](#) [FCN-723D010/2](#) [80.063.4001.1](#) [800-90-010-10-002000](#) [801-43-002-10-013000](#) [801-43-006-10-002000](#)
[801-93-011-10-001000](#)