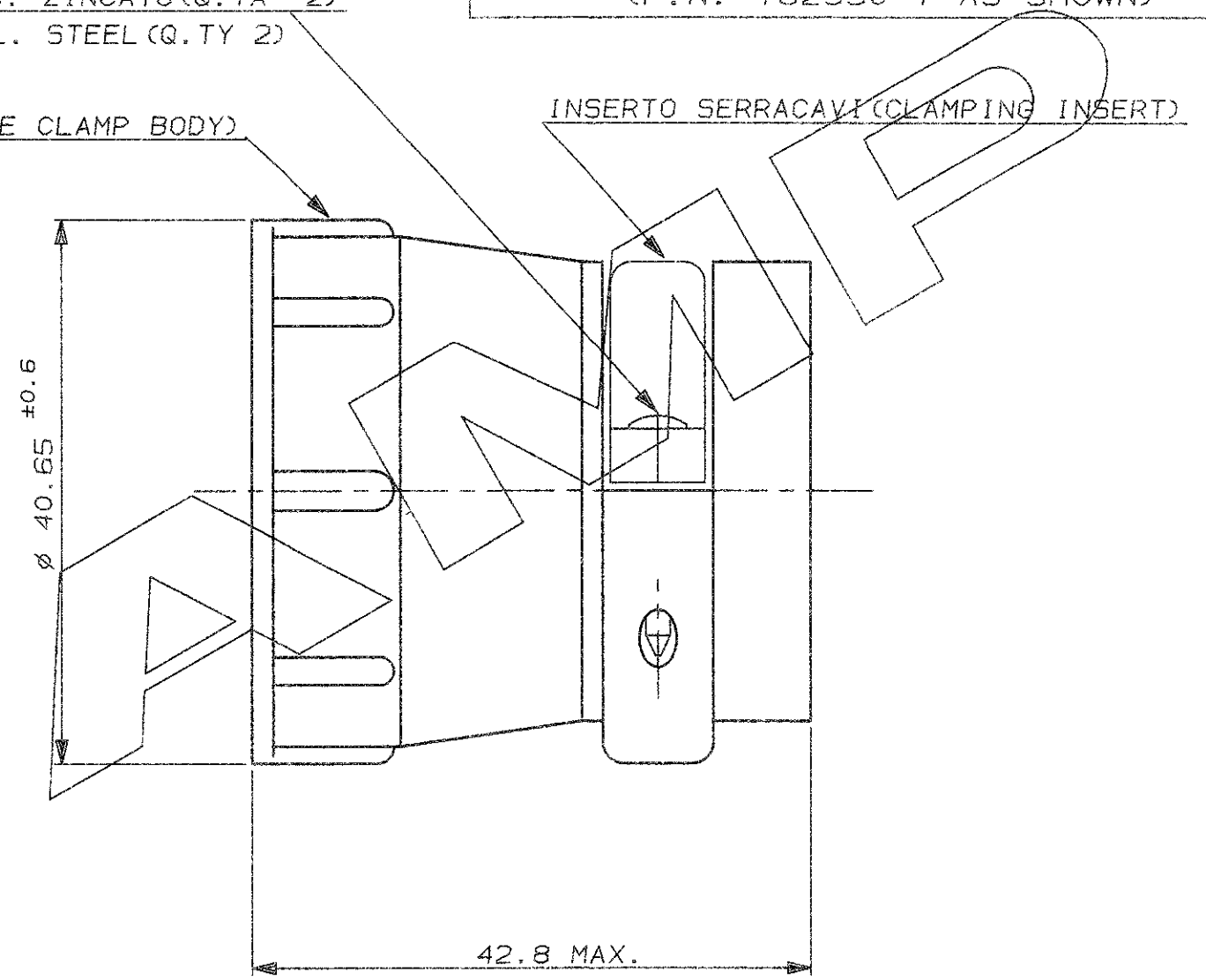
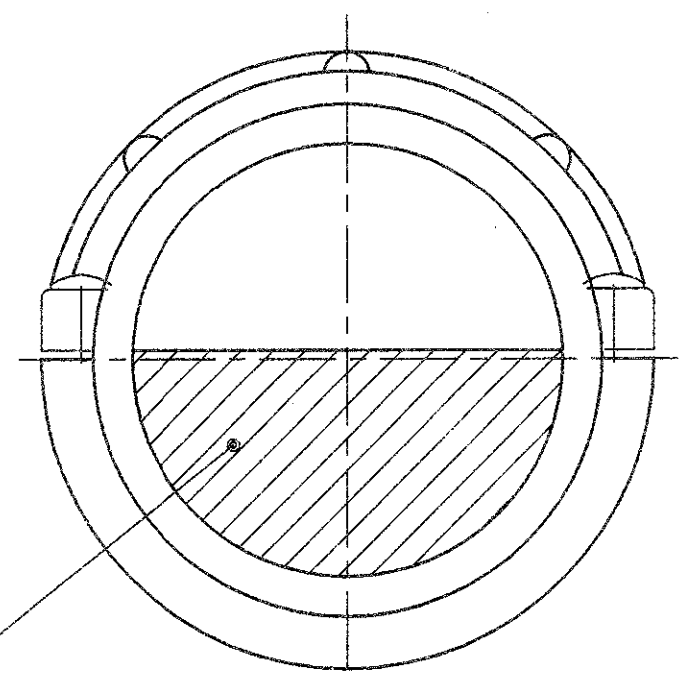


IL DISEGNO INDICA IL P.N. 182930-1  
 (P.N. 182930-1 AS SHOWN)

#5-20 VITI AUTOFILETTANTI IN ACC. ZINCATO (Q.TA' 2)  
 #5-20 SELF-TAPPING SCREWS, ZINC PL. STEEL (Q.TY 2)

CORPO CORAZZA (CABLE CLAMP BODY)

INSERTO SERRACAIVI (CLAMPING INSERT)



AREA SERRAGGIO CAVI (CLAMPING AREA) 3

**NOTE (NOTES)**

1. MATERIALE (MATL.): TERMOPLASTICO COLORE NERO (THERMOPLASTIC, BLACK COLOR).
2. PARTICOLARI FORNITI NON ASSEMBLATI IN SACCHETTO DI PLASTICA (PARTS PACKAGED UNASSEMBLED INTO A PLASTIC BAG).
3. L'AREA SERRAGGIO CAVI E' VARIABILE DA 168.4 A 368.4 MM<sup>2</sup> IN FUNZIONE DEL TIPO E POSIZIONE DELL'INSERTO SERRACAIVO. (CABLE CLAMPING AREA ADJUSTABLE FROM .261 TO .571 SQ. IN. BY SELECTING AND REVERSING CLAMPING INSERTS).
4. QUESTO ACCESSORIO E' APPROVATO E CERTIFICATO (THIS CONNECTOR IS APPROVED AND CERTIFIED.)
5. Ø MAX. DEL FASCIO DI CAVI = 28.5 (MAXIMUM CABLE O.D. = 28.5)
6. NON ANCORA IN PRODUZIONE (NOT YET RELEASED FOR PRODUCTION).
7. DIFFERENTE DAL P.N. 182930-1 PER IL CONFEZIONAMENTO, I COMPONENTI 1-2 E 3 VENGONO CONFEZIONATI SEPARATAMENTE IN SACCHETTI CONTENENTI IL QUANTITATIVO DI PEZZI NECESSARIO A COMPORRE 75 CABLE CLAMPS NELLA FASE DI ASSEMBLAGGIO A CURA DEL CLIENTE, I SACCHETTI SONO POSTI IN APPOSITA SCATOLA DI RAGGRUPPAMENTO (DIFFERENT FROM P.N. 182658-1 FOR PACKAGING ONLY, ITEMS 1, 2 AND 3 SUPPLIED IN PLASTIC BAGS SEPARATELY, EACH BAG INCLUDES THE RIGHT QUANTITY REQUIRED TO ASSEMBLY 75 CABLE CLAMP (CUSTOMER OPERATION). BAGS ARE PACKAGED IN A CARTON BOX).

**8** OBSOLETE PARTS: OBSOLETE CIS STREAMLINING PER D.RENAUD/D.SINISI

CODICE (PART NUM.)	DESCRIZIONE (DESCRIPTION)	NOTE (NOTES)
<del>182930-2</del>	CPC CABLE CLAMP SIZE 11 BULK PKG. WITH 15.5mm (.62") LENGTH SELF-TAPPING SCREW.	<b>6</b> <b>7</b>
182930-1	CPC CABLE CLAMP SIZE 11 KIT WITH 15.5mm (.62") LENGTH SELF-TAPPING SCREW.	<b>4</b>

<b>CUSTOMER DRAWING FOR REFERENCE ONLY</b>		<b>DISEGNO PER CLIENTE SOLO PER RIFERIMENTO</b>	
THIS DRAWING IS UNPUBLISHED		RELEASE FOR PUBLICATION 19	
© COPYRIGHT 19 BY AMP INCORPORATED, HARRISBURG, PA. ALL INTERNATIONAL RIGHT RESERVED. AMP PRODUCTS MAY BE COVERED BY U.S. AND FOREIGN PATENT AND/OR PATENT PENDING			
TOLLERANZE, SE NON DIVERSAMENTE SPECIFICATO (TOLERANCES, UNLESS OTHERWISE SPECIFIED)	DIAM. ISOLANTE (INS. DIA. RANGE)	RANGO FILO (WIRE RANGE)	SCALA (SCALE)
± 0.3	-	-	-
ANGOLI (ANGLES)	AMP <b>AMP ITALIA S.p.A.</b> Corso F.lli Cervi, 15 COLLENO (TORINO)		
<b>C2</b> REVISED PER ECO-09-026346	28 NOV 09	DESCRIZIONE (DESCRIPTION) <b>C.P.C. CABLE CLAMP KIT, SIZE 23 (LARGE)</b>	
<b>C1</b> Changed screw according to RoHS ECR7789	AV. 28/07/05	DTS. (DR.) <b>C. CORDOLA</b> 22 JUNE 91	
<b>B</b> ADDED DASH	23-5-94	LOC. SIZE NUMERO (CWS. NO.) <b>I A3 C - 182930</b>	
<b>A</b> RELEASED	C. G. 10-91	REV. <b>C2</b>	FOGLIO (SHEET) <b>1</b>
REV. (REVISION)	DIS. DATA (DR) (DATE)	APP. (APP.)	

DISTRIBUZIONE (PRINT DIST.)

## X-ON Electronics

Largest Supplier of Electrical and Electronic Components

*Click to view similar products for [Standard Circular Connector](#) category:*

*Click to view products by [TE Connectivity](#) manufacturer:*

Other Similar products are found below :

[5M2530B10P](#) [600259N006](#) [600273N007](#) [6134-336-13149](#) [6134-337-11149](#) [6134-337-2390](#) [6134-341-17149](#) [6280-4SG-516](#) [6280-7SG-3DC](#)  
[6290](#) [6291A](#) [66200A-10](#) [680-SMG](#) [681-PMG](#) [CXS3102A14S2P](#) [CXS3102A181S](#) [7271-6SG-300](#) [7282-3PG-300-CH3](#) [75-474618-01S](#) [75-](#)  
[474618-04P](#) [75-474618-04S](#) [799539-000](#) [MI8-SE](#) [805-005-07NF11-19PC](#) [805-005-07NF15-7PA](#) [8280-4PG-516](#) [8280-7PG-519](#) [8282-5PG-](#)  
[519](#) [836783-1](#) [MP-4102-25P-C](#) [862256-1](#) [864019-2](#) [866857-1](#) [867865-1](#) [PT01SP-14-18P](#) [PT08P-14-5S](#) [120-1833-000](#)  
[QCM019PC2DC012B](#) [1-2069279-1](#) [121583-0217](#) [121667-0020](#) [129591AU](#) [1000B BULK](#) [RD10A16-19-P6CS051/1](#) [RD10A20-31-](#)  
[P8CS051/1](#) [RD16A14-12-S6CS051/2](#) [1301240290](#) [1301240347](#) [1301860202](#) [1301240268](#) [1301240275](#)