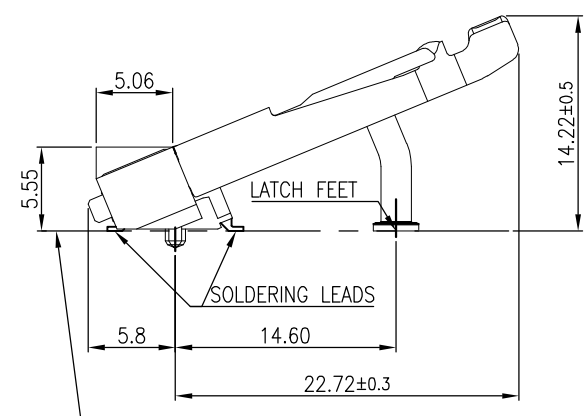
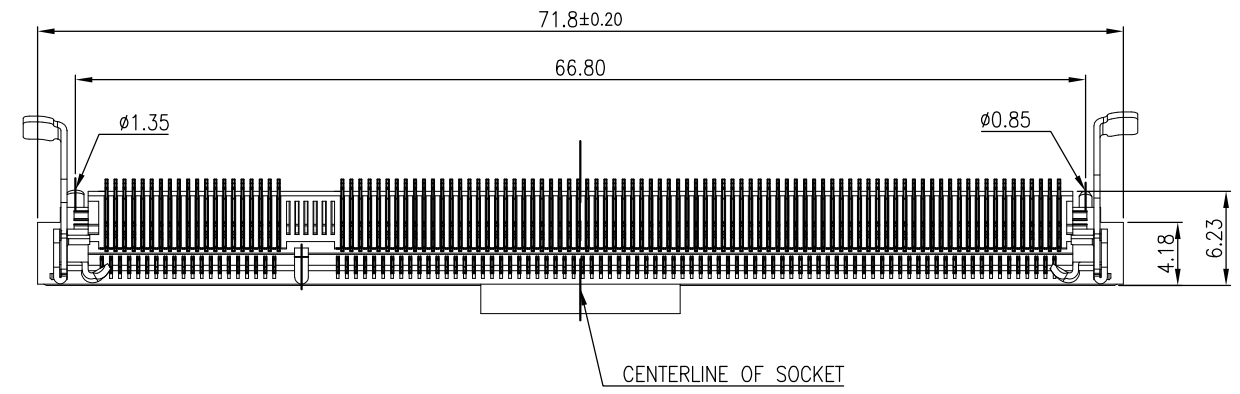
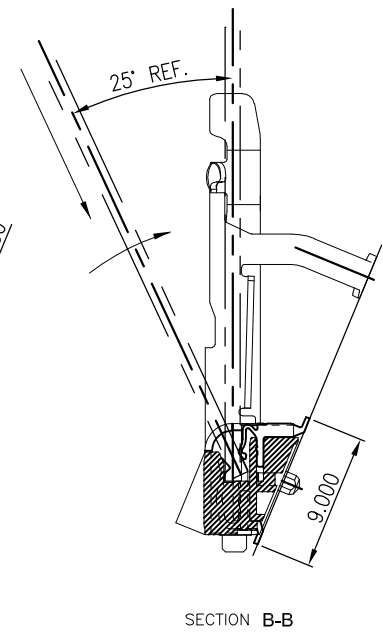
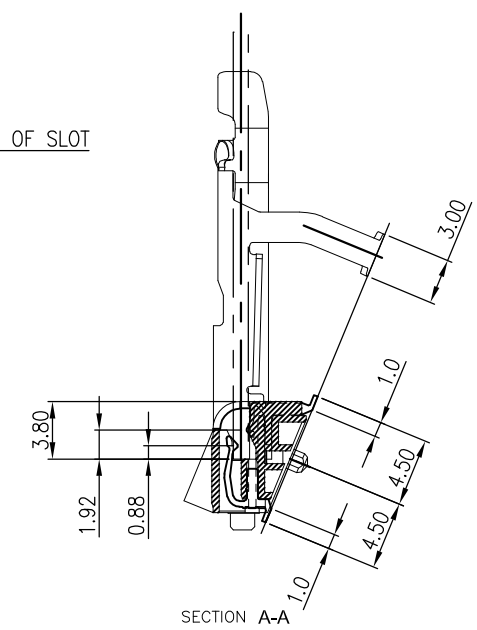
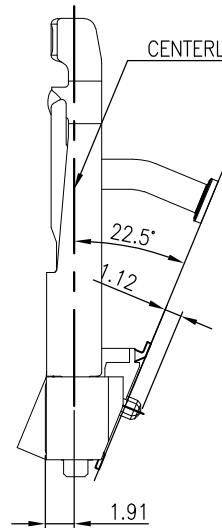
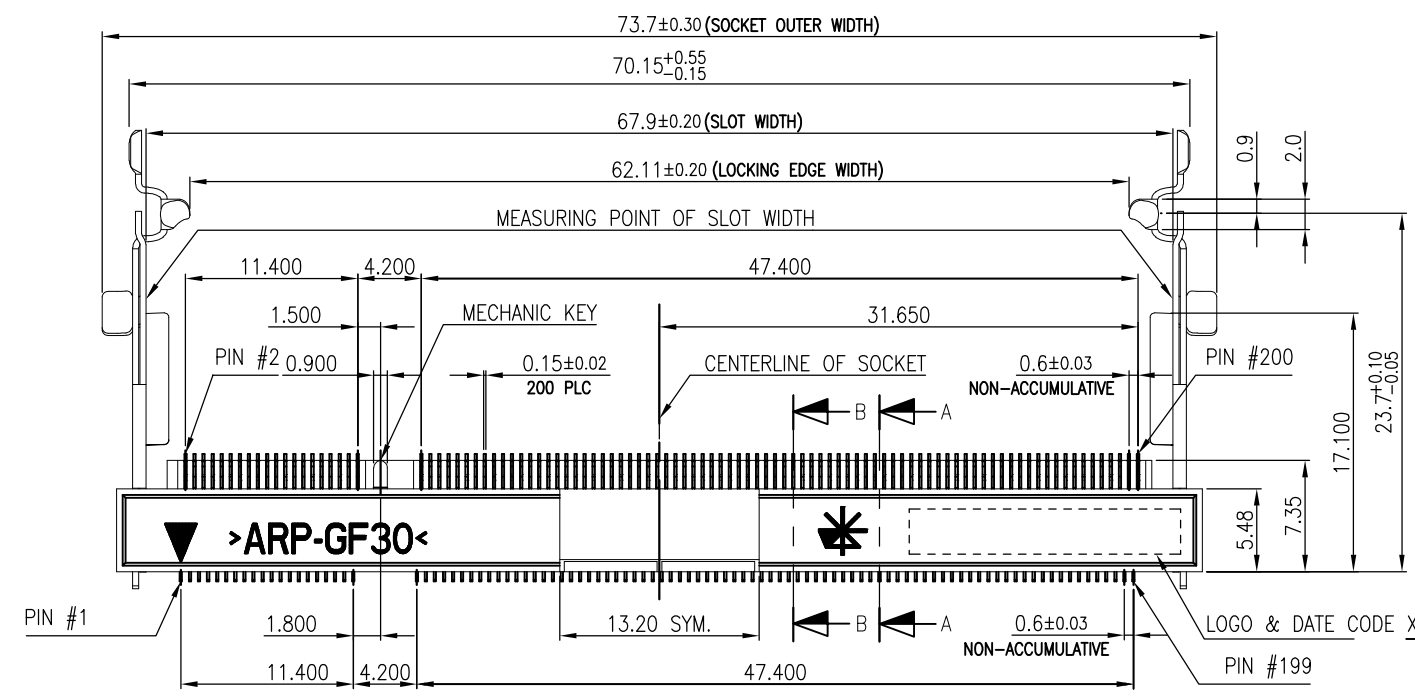


THIS DRAWING IS UNPUBLISHED. RELEASED FOR PUBLICATION
 © COPYRIGHT - By - ALL RIGHTS RESERVED.

| LOC | DIST | REVISIONS | | | | | |
|-----|------|-----------|-----|---------------------------|---------|-----|------|
| DW | - | P | LTR | DESCRIPTION | DATE | DWN | APVD |
| | | | B2 | REVISED PER ECO-11-005301 | 16APR11 | RK | HMR |



MOUNTING SURFACE OF P.C. BOARD
 ALL SOLDERING LEADS AND LATCH FEET
 MUST BE COPLANAR WITHIN 0.1 mm.



LOGO & DATE CODE XXXXX
 DAY
 WEEK
 YEAR

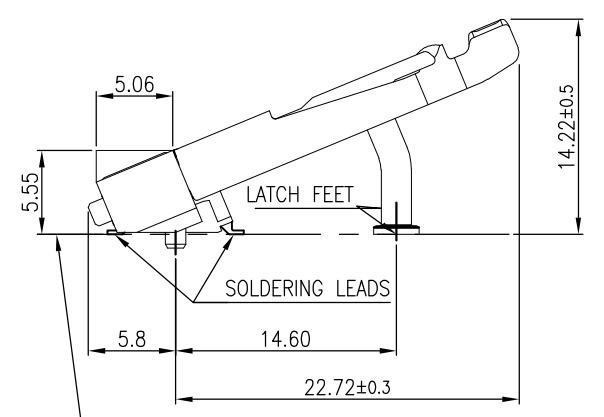
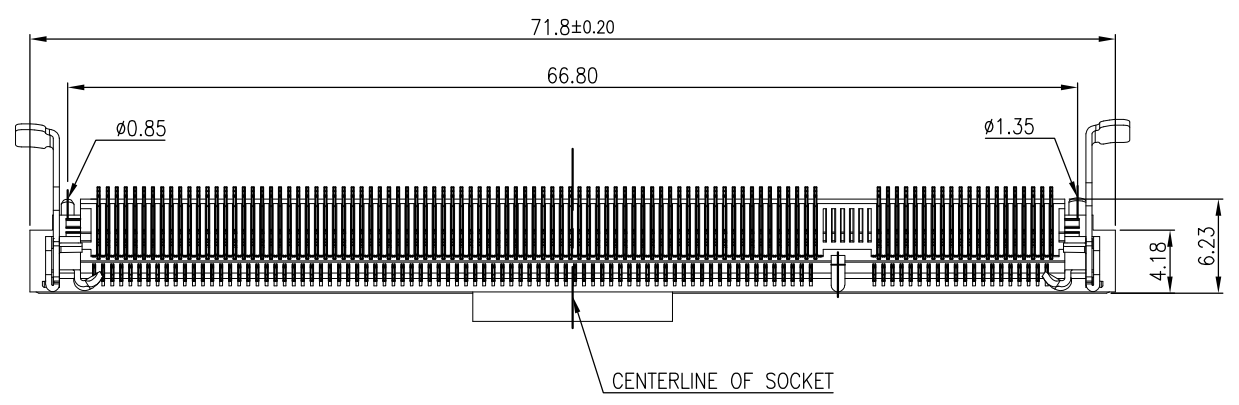
- NOTE:
- MATERIAL:
 HOUSING: LCP WITH 30% GF, UL 94V-0, COLOR: NATURE.
 CONTACTS: PHOSPHOR BRONZE.
 LATCH: STAINLESS.
 - FINISH:
 CONTACTS: GOLD PLATED (SEE TABLE) ON CONTACT AREA ,
 GOLD FLASH ON SOLDER TAILS, WITH ENTIRE
 CONTACT UNDERPLATED 1.27µm [50µ"] MIN. NICKEL.
 LATCH: 2.032µm[80µ"] ~ 4.064µm[160µ"] MATTE-TIN PLATED
 OVER 1.27µm [50µ"] MIN. NICKEL PLATED.
 - REFLOW SOLDER CAPABLE TO 260°C PER TE CONNECTIVITY TEST SPEC.
 109-201, CONDITION B.

| | |
|--|--|
| THIS DRAWING IS A CONTROLLED DOCUMENT. | |
| DIMENSIONS: mm | TOLERANCES UNLESS OTHERWISE SPECIFIED: |
| | 0 PLC ± 0.5 |
| | 1 PLC ± 0.2 |
| | 2 PLC ± 0.1 |
| | 3 PLC ± 0.05 |
| | 4 PLC ± - |
| | ANGLES ± 3' |
| MATERIAL SEE NOTE | FINISH SEE NOTE |

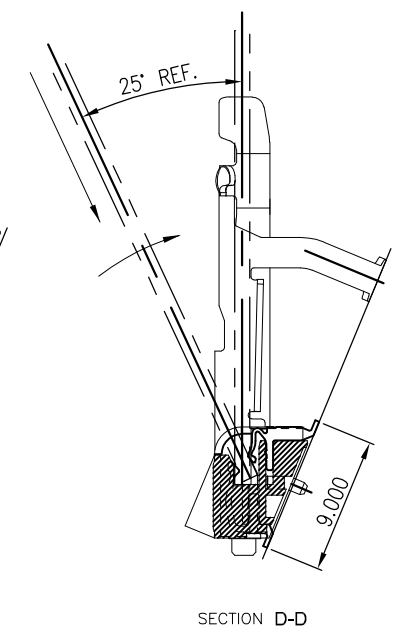
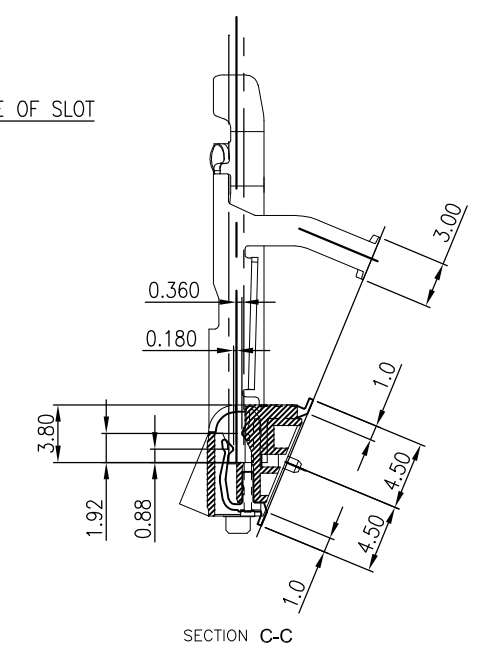
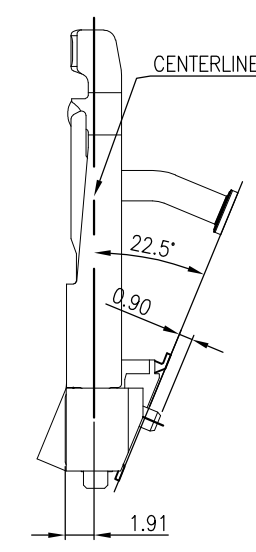
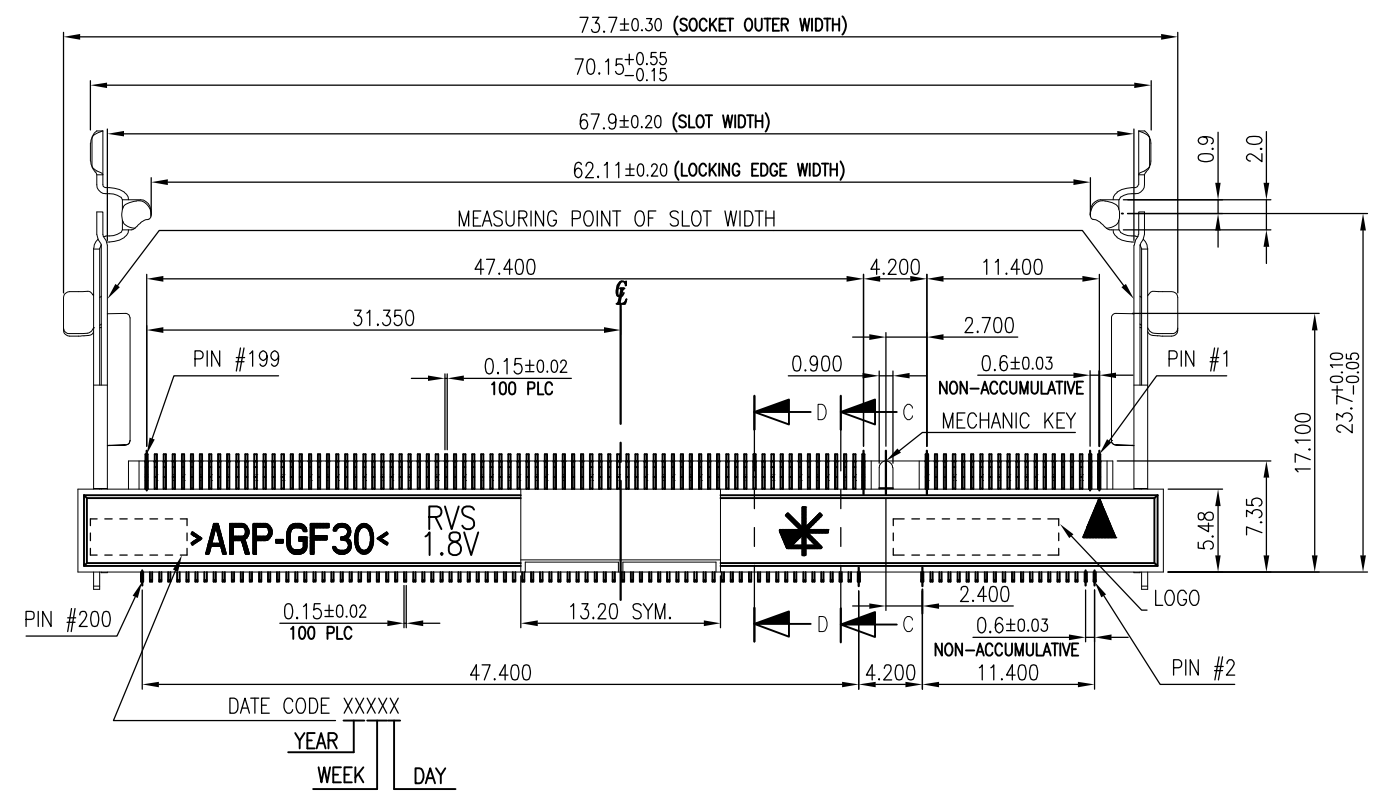
| | | | | | |
|--|--|---|-----------|--------------------|---------------|
| QUALIFICATION TEST REPORT 501-57577 | | TRAY | 2.5 V | 0.762µm[30µ"] MIN. | 1834017-2 |
| | | TRAY | | 0.254µm[10µ"] MIN. | 1834017-1 |
| | | PACKING | VOLTAGE | GOLD PLATED | PART NUMBER |
| DWN J. LAI 15JUN2009 | | TE Connectivity | | | |
| CHK S. CHIEN 15JUN2009 | | | | | |
| APVD W. KODAMA 15JUN2009 | | NAME | | | |
| PRODUCT SPEC | | - | | | |
| APPLICATION SPEC | | ANGLED SO DIMM SOCKET ASSY, 0.6mm PITCH, 200 POSN, 22.5 DEGRESS TILT | | | |
| WEIGHT 4.43 GRAMS | | SIZE | CAGE CODE | DRAWING NO | RESTRICTED TO |
| CUSTOMER DRAWING | | A3 | 00779 | C-1834017 | - |
| | | SCALE | SHEET | REV | |
| | | - | 1 OF 7 | B2 | |

THIS DRAWING IS UNPUBLISHED. RELEASED FOR PUBLICATION
 © COPYRIGHT - By - ALL RIGHTS RESERVED.

| LOC | DIST | REVISIONS | | | | | |
|-----|------|-----------|-----|-------------|------|-----|------|
| | | P | LTR | DESCRIPTION | DATE | DWN | APVD |
| DW | - | - | - | SEE SHEET 1 | - | - | - |



MOUNTING SURFACE OF P.C. BOARD
 ALL SOLDERING LEADS AND LATCH FEET
 MUST BE COPLANAR WITHIN \square 0.1 mm.



| | | | | |
|---------|--------------|---------|--------------------|-------------|
| T/R | REVERSE | 1.8 V | 0.762μm[30μ"] MIN. | 1-1834017-2 |
| TRAY | | | 0.254μm[10μ"] MIN. | 1-1834017-1 |
| PACKING | PART VERSION | VOLTAGE | GOLD PLATED | PART NUMBER |

- NOTE:
- MATERIAL:
 HOUSING: LCP WITH 30% GF, UL 94V-0, COLOR: NATURE.
 CONTACTS: PHOSPHOR BRONZE.
 LATCH: STAINLESS.
 - FINISH:
 CONTACTS: GOLD PLATED (SEE TABLE) ON CONTACT AREA ,
 GOLD FLASH ON SOLDER TAILS, WITH ENTIRE
 CONTACT UNDERPLATED 1.27μm [50μ"] MIN. NICKEL.
 LATCH: 2.032μm[80μ"] ~ 4.064μm[160μ"] MATTE-TIN PLATED
 OVER 1.27μm [50μ"] MIN. NICKEL PLATED.
 - REFLOW SOLDER CAPABLE TO 260°C PER TE CONNECTIVITY TEST SPEC.
 109-201, CONDITION B.

| | | | |
|--|--|-------------------|---|
| THIS DRAWING IS A CONTROLLED DOCUMENT. | | DWN | - |
| DIMENSIONS: mm | | CHK | - |
| TOLERANCES UNLESS OTHERWISE SPECIFIED: | | APVD | - |
| 0 PLC ± 0.5 | | PRODUCT SPEC | |
| 1 PLC ± 0.2 | | 108-57503 | |
| 2 PLC ± 0.1 | | APPLICATION SPEC | |
| 3 PLC ± 0.05 | | 501-57577 | |
| 4 PLC ± - | | WEIGHT 4.43 GRAMS | |
| ANGLES ± 3' | | CUSTOMER DRAWING | |
| MATERIAL | | FINISH | |

STE TE Connectivity

NAME

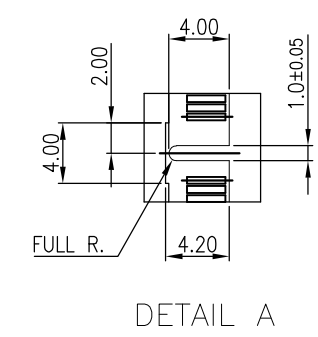
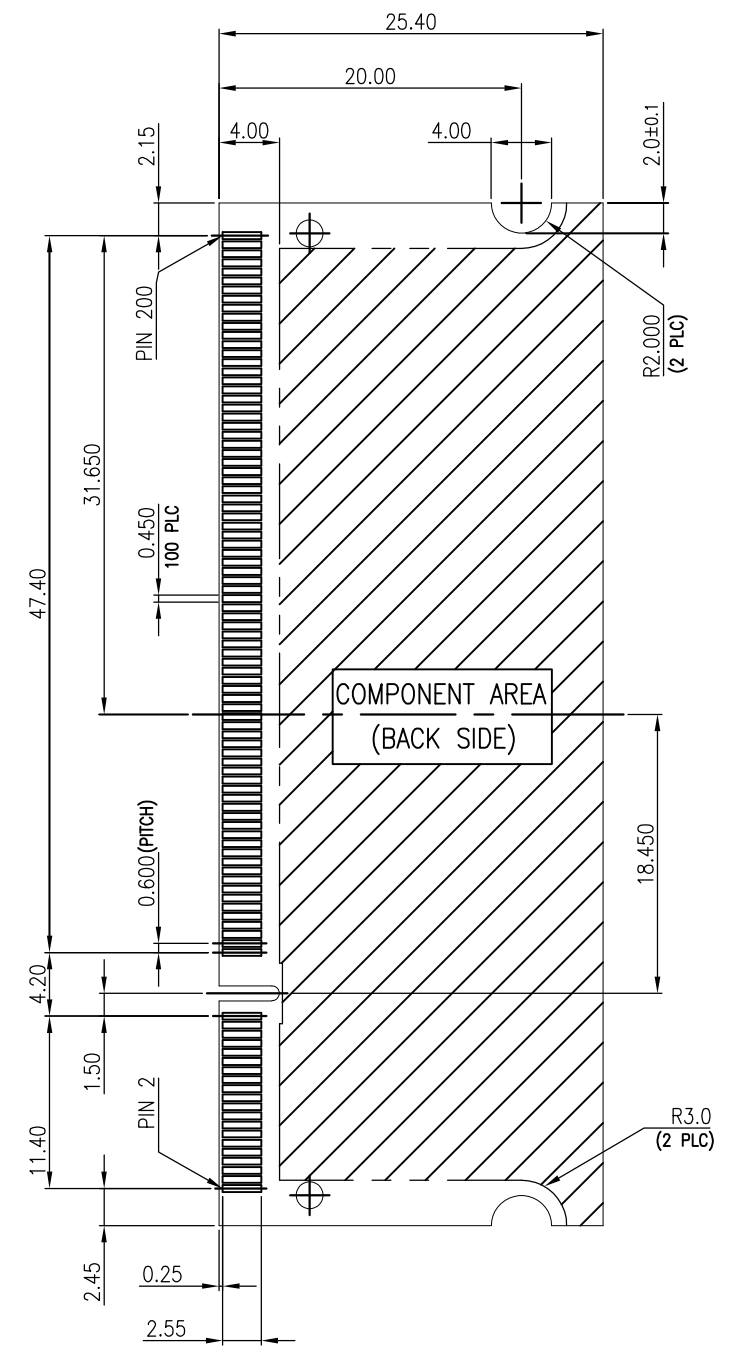
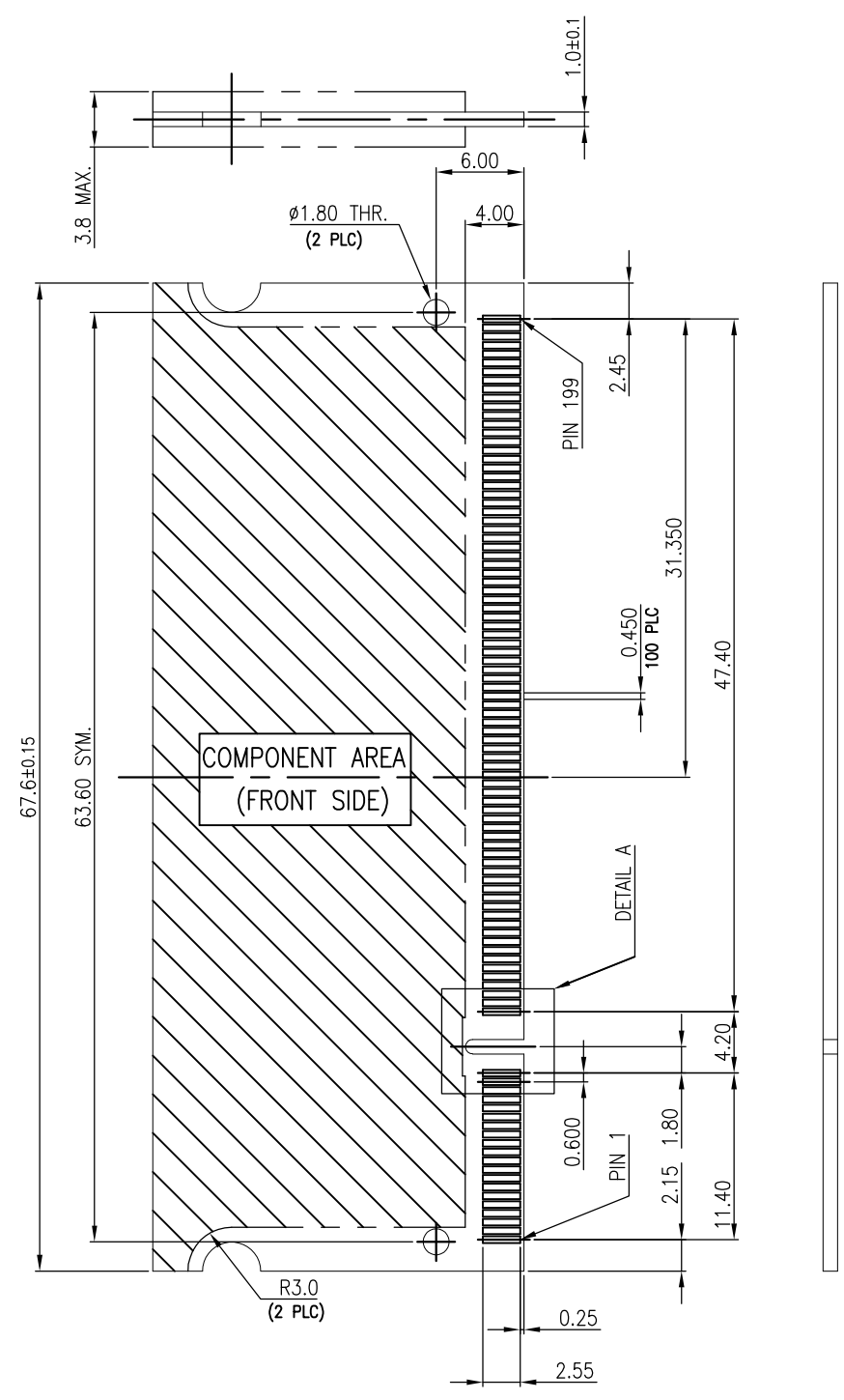
ANGLED SO DIMM SOCKET ASSY, 0.6mm PITCH,
 200 POSN, 22.5 DEGRESS TILT

| | | | |
|------|-----------|------------|---------------|
| SIZE | CAGE CODE | DRAWING NO | RESTRICTED TO |
| A3 | 00779 | C-1834017 | - |

SCALE - SHEET 2 OF 7 REV B2

THIS DRAWING IS UNPUBLISHED. RELEASED FOR PUBLICATION
 © COPYRIGHT - By - ALL RIGHTS RESERVED.

| LOC | DIST | REVISIONS | | | |
|-----|------|-------------|------|-----|------|
| P | LTR | DESCRIPTION | DATE | DWN | APVD |
| DW | - | SEE SHEET 1 | - | - | - |



RECOMMENDED DAUGHTER BOARD FOR 2.5V STD. TYPE

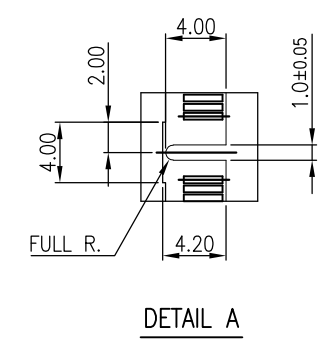
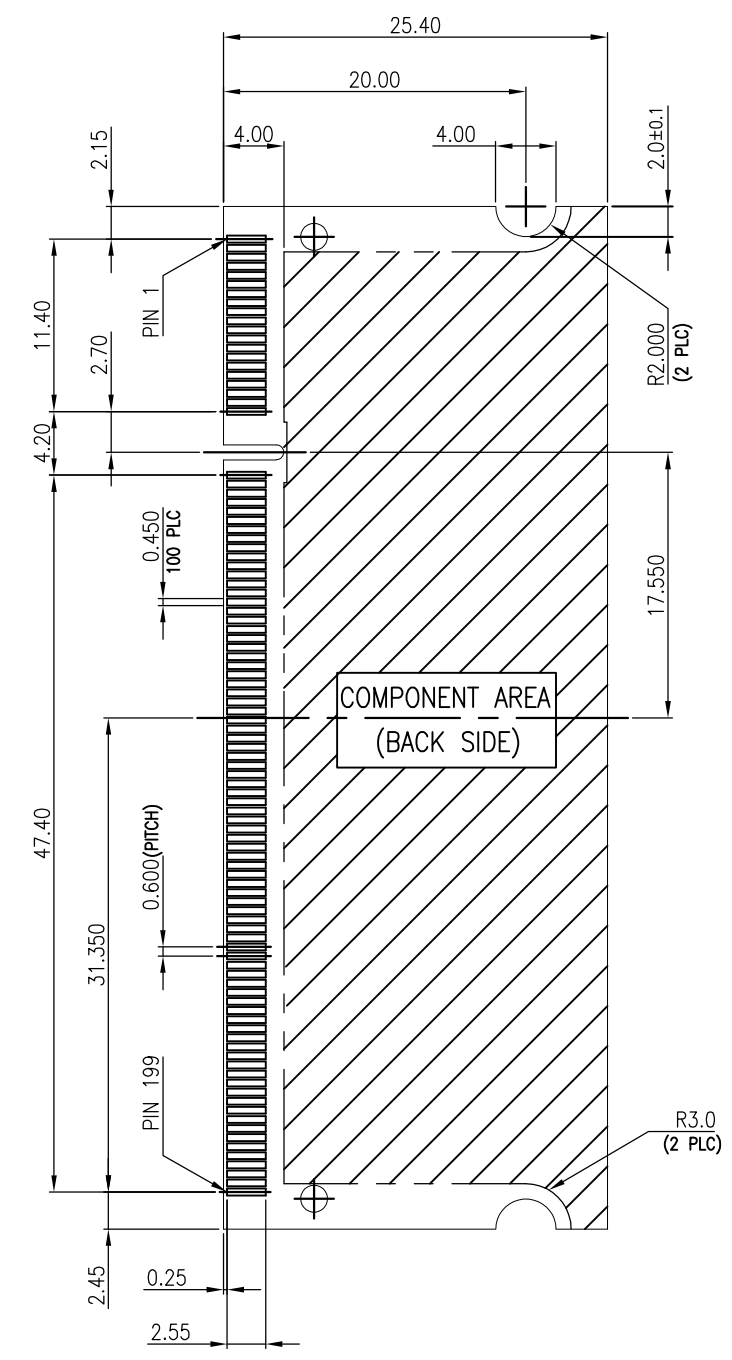
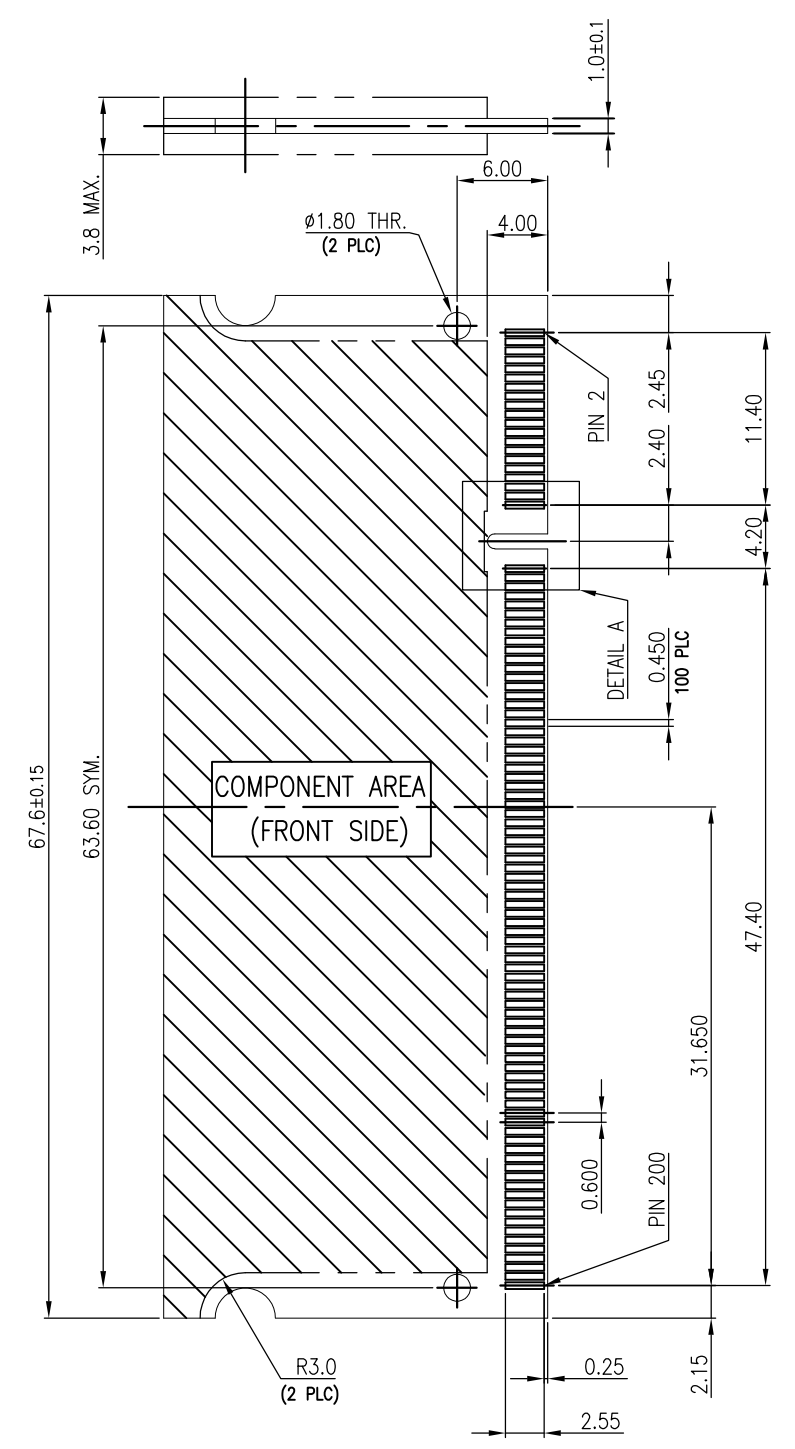
2.5 V
VOLTAGE

| | | | | | |
|--|--|--|-----------|------------|---------------|
| THIS DRAWING IS A CONTROLLED DOCUMENT. | | DWN | - | | |
| DIMENSIONS: mm | | CHK | - | | |
| TOLERANCES UNLESS OTHERWISE SPECIFIED: | | APVD | - | | |
| 0 PLC ± - | | PRODUCT SPEC | - | | |
| 1 PLC ± - | | APPLICATION SPEC | - | | |
| 2 PLC ± - | | WEIGHT | - | | |
| 3 PLC ± - | | NAME | | | |
| 4 PLC ± - | | ANGLED SO DIMM SOCKET ASSY, 0.6mm PITCH, 200 POSN, 22.5 DEGRESS TILT | | | |
| ANGLES ± - | | SIZE | CAGE CODE | DRAWING NO | RESTRICTED TO |
| FINISH | | A300779 | | C-1834017 | - |
| MATERIAL | | CUSTOMER DRAWING | | SCALE | SHEET |
| | | | | - | 3 OF 7 |
| | | | | REV | B2 |



THIS DRAWING IS UNPUBLISHED. RELEASED FOR PUBLICATION
 © COPYRIGHT - By - ALL RIGHTS RESERVED.

| LOC | DIST | REVISIONS | | | |
|-----|------|-------------|------|-----|------|
| P | LTR | DESCRIPTION | DATE | DWN | APVD |
| DW | - | SEE SHEET 1 | - | - | - |



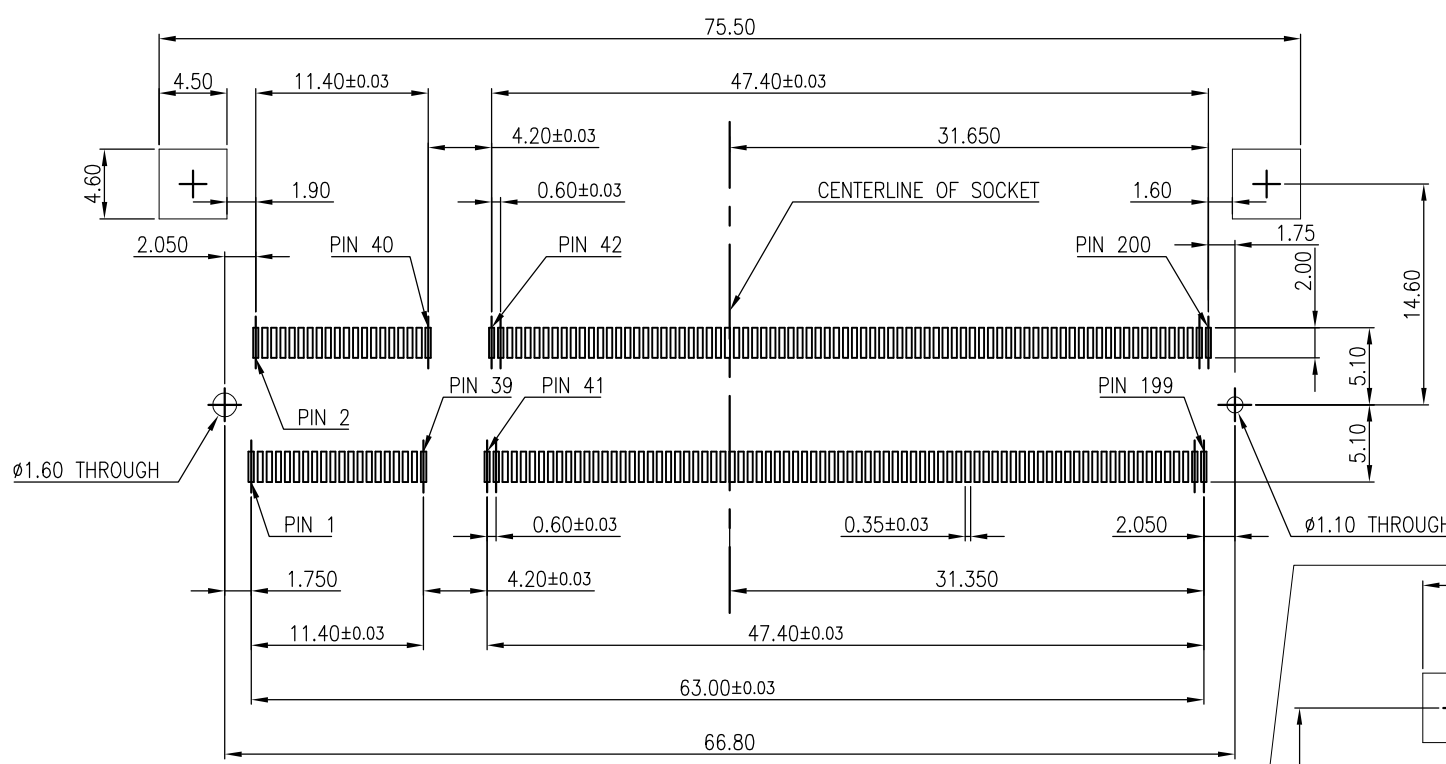
RECOMMENDED DAUGHTER BOARD FOR 1.8V RVS. TYPE

1.8 V
VOLTAGE

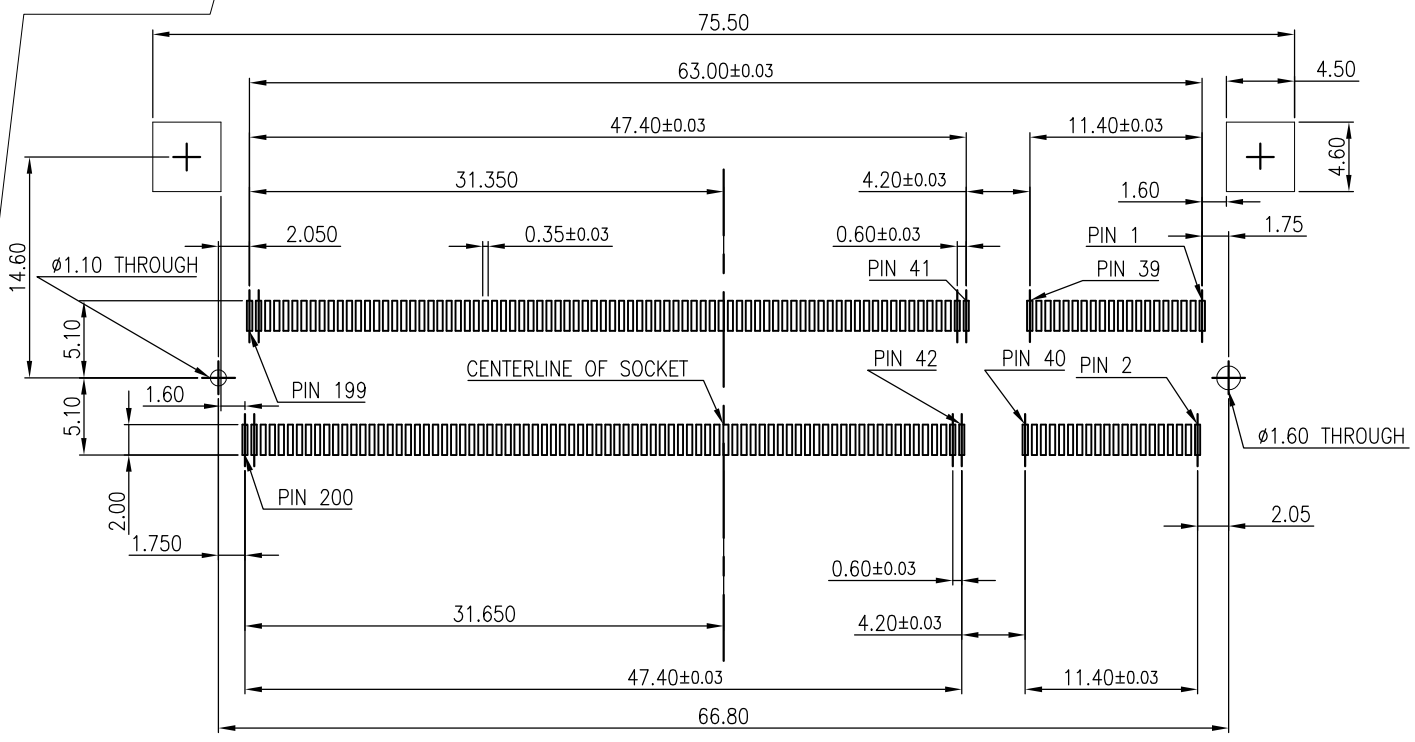
| | | | | | | | |
|---|--|------------------|---|--|-----------|------------------|---|
| THIS DRAWING IS A CONTROLLED DOCUMENT. | | DWN | - | TE Connectivity ANGLD SO DIMM SOCKET ASSY, 0.6mm PITCH, 200 POSN, 22.5 DEGRESS TILT | | | |
| DIMENSIONS: mm | | CHK | - | | | NAME | - |
| TOLERANCES UNLESS OTHERWISE SPECIFIED: | | APVD | - | | | PRODUCT SPEC | - |
| 0 PLC ± - 1 PLC ± - 2 PLC ± - 3 PLC ± - 4 PLC ± - ANGLES ± - FINISH ± - | | PRODUCT SPEC | - | | | APPLICATION SPEC | - |
| MATERIAL | | WEIGHT | - | SIZE | A3 | | |
| | | CUSTOMER DRAWING | | CAGE CODE | 00779 | | |
| | | | | DRAWING NO | C-1834017 | | |
| | | | | RESTRICTED TO | - | | |
| | | | | SCALE | - | | |
| | | | | SHEET | 4 OF 7 | | |
| | | | | REV | B2 | | |

THIS DRAWING IS UNPUBLISHED. RELEASED FOR PUBLICATION
 © COPYRIGHT - By - ALL RIGHTS RESERVED.

| | | | | | | | |
|-----|------|-----------|-----|-------------|------|-----|------|
| LOC | DIST | REVISIONS | | | | | |
| DW | - | P | LTR | DESCRIPTION | DATE | DWN | APVD |
| | | - | | SEE SHEET 1 | - | - | - |



RECOMMENDED PCB LAYOUT
 TOLERANCE: ± 0.05
 FOR 2.5V



RECOMMENDED PCB LAYOUT
 TOLERANCE: ± 0.05
 FOR 1.8V OF REVERSE

| | | | | | | | |
|--|--|------------------|---|--|-----------|------------|---------------|
| THIS DRAWING IS A CONTROLLED DOCUMENT. | | DWN | - | STE TE Connectivity | | | |
| DIMENSIONS: mm | | CHK | - | | | | |
| TOLERANCES UNLESS OTHERWISE SPECIFIED: | | APVD | - | NAME | | | |
| 0 PLC $\pm -$ | | PRODUCT SPEC | - | ANGLED SO DIMM SOCKET ASSY, 0.6mm PITCH, 200 POSN, 22.5 DEGRESS TILT | | | |
| 1 PLC $\pm -$ | | APPLICATION SPEC | - | SIZE | CAGE CODE | DRAWING NO | RESTRICTED TO |
| 2 PLC $\pm -$ | | WEIGHT | - | A3 | 00779 | C-1834017 | - |
| 3 PLC $\pm -$ | | CUSTOMER DRAWING | | SCALE | - | SHEET | 5 OF 7 |
| 4 PLC $\pm -$ | | | | | | | REV B2 |
| ANGLES $\pm -$ | | | | | | | |
| FINISH | | | | | | | |

THIS DRAWING IS UNPUBLISHED.

RELEASED FOR PUBLICATION

ALL RIGHTS RESERVED.

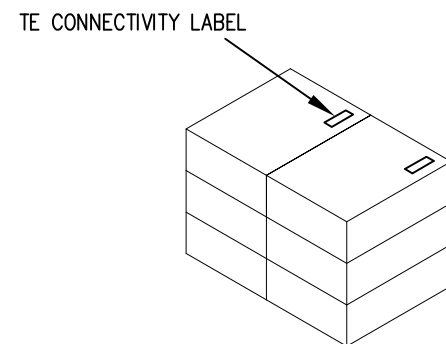
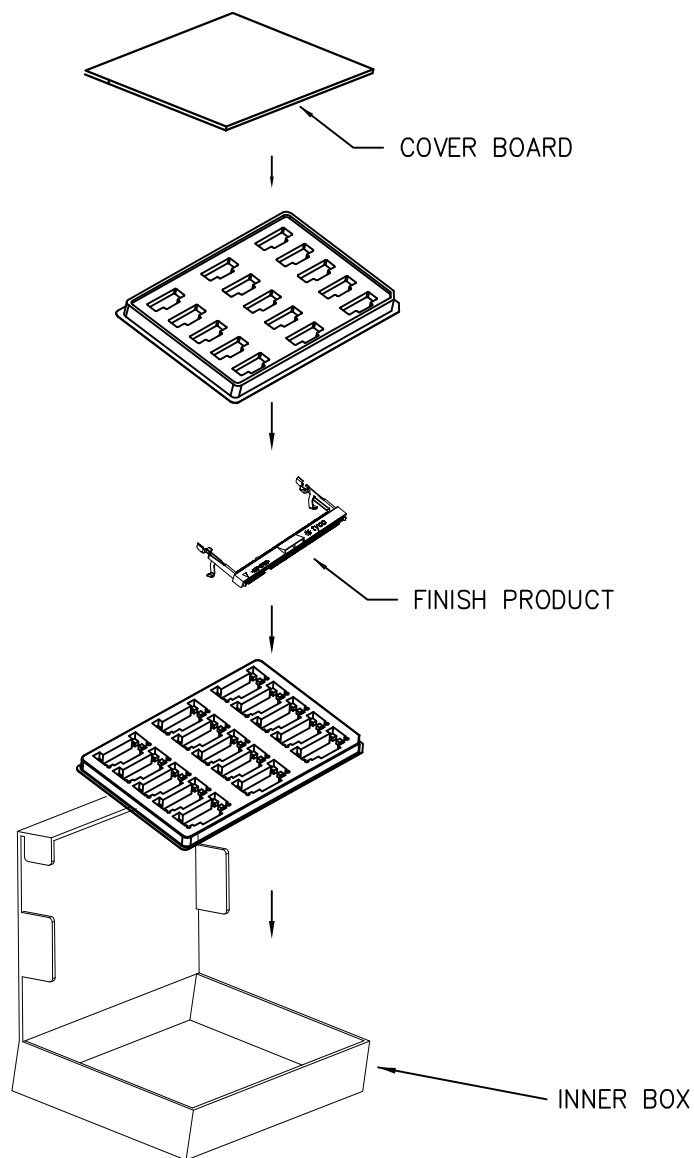
© COPYRIGHT - By -

LOC
DW

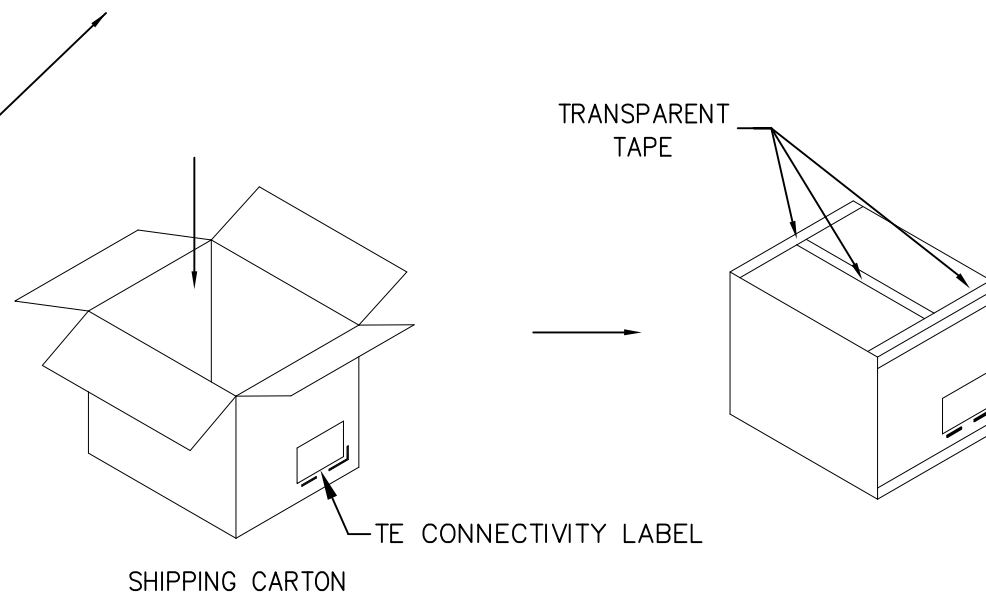
DIST
-

REVISIONS

| P | LTR | DESCRIPTION | DATE | DWN | APVD |
|---|-----|-------------|------|-----|------|
| - | - | SEE SHEET 1 | - | - | - |



2 ROWS X 3 INNER BOXES
= 6 INNER BOXES



(1) DIMENSION
 SEMI-HARD TRAY: 330x215x17.5 mm
 INNER BOX: 35.5x23x6.5 cm
 SHIPPING CARTON: 48x37x23 cm

(3) PACKAGING
 15 PCS PER TRAY,
 3 TRAYS PER INNER BOX,
 6 BOXES PER SHIPPING CARTON.
 QUANTITY: 270 PCS

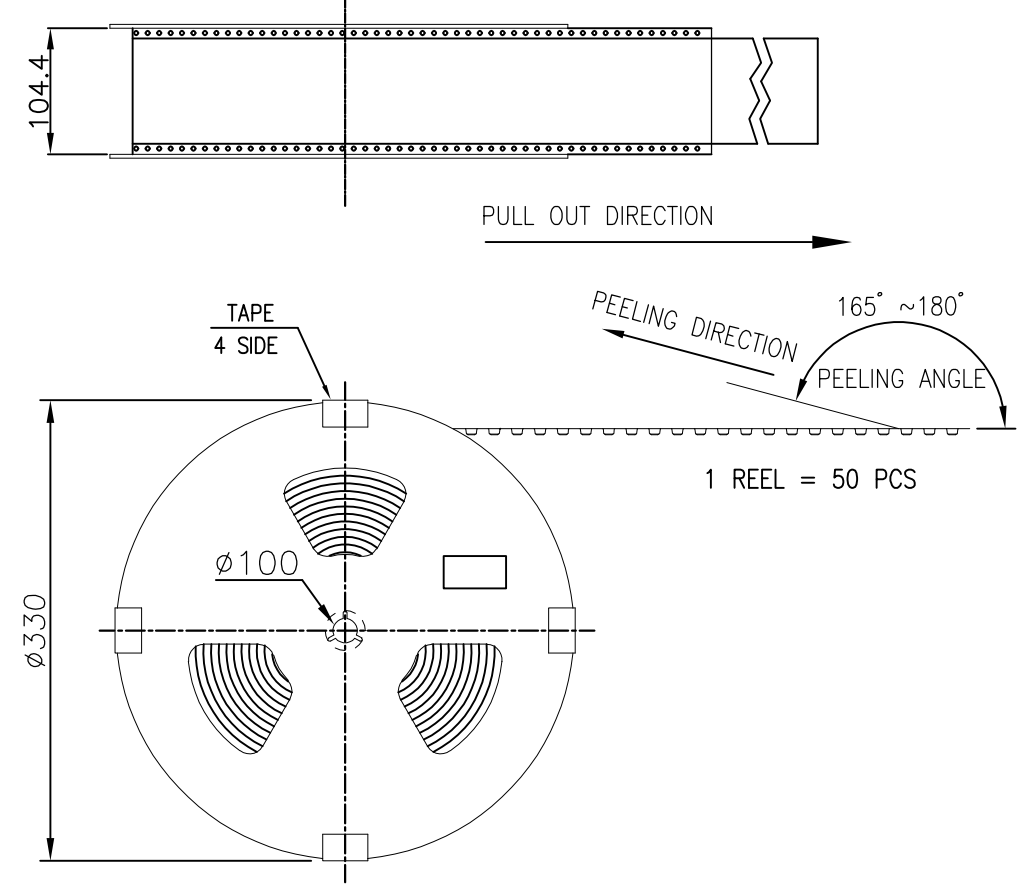
(2) MATERIAL
 SEMI-HARD TRAY: P.S.
 INNER BOX: CORRUGATED FIBER
 SHIPPING CARTON: CORRUGATED FIBER

(4) WEIGHT
 N.W.: 1.196 KGs
 G.W.: 4.5 KGs

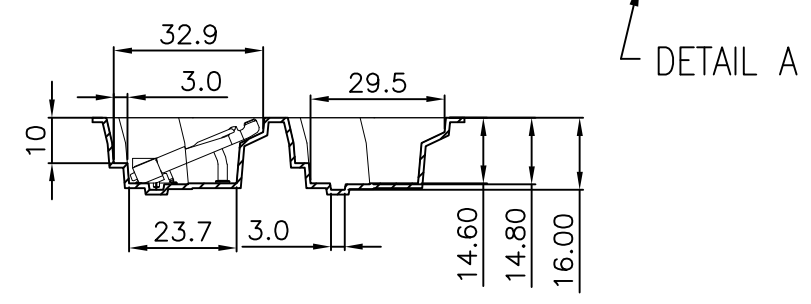
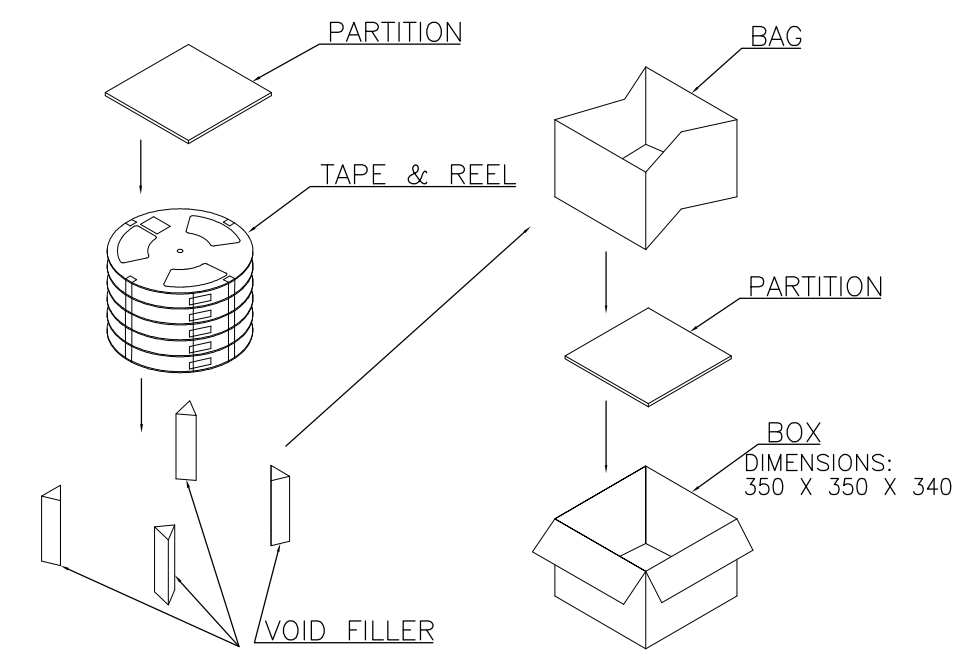
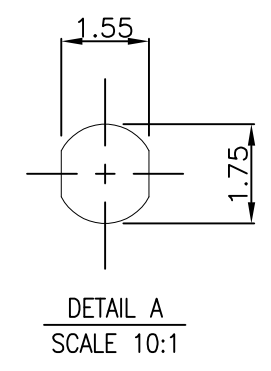
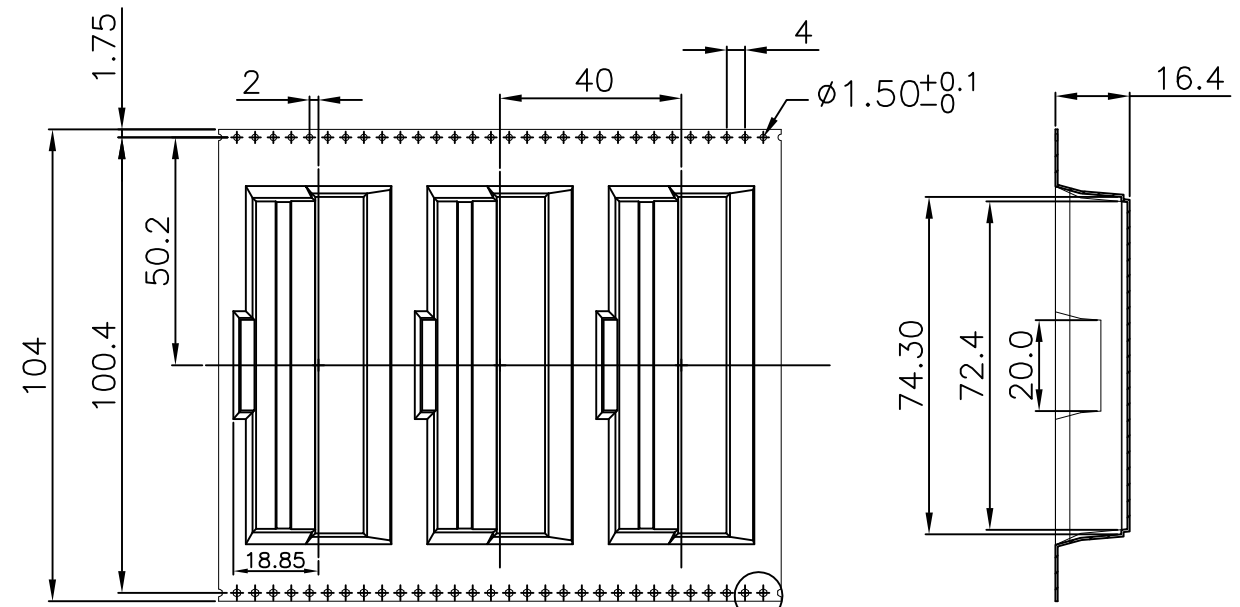
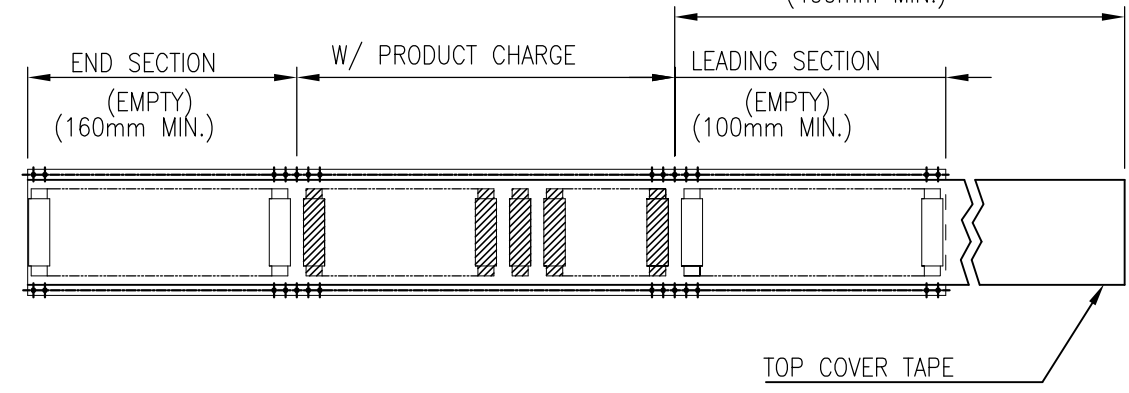
| | | | | | |
|--|--|------------------|--|---|--|
| THIS DRAWING IS A CONTROLLED DOCUMENT. | | DWN | | STE TE Connectivity | |
| DIMENSIONS: mm | | CHK | | | |
| TOLERANCES UNLESS OTHERWISE SPECIFIED: | | APVD | | NAME | |
| 0 PLC ± - | | PRODUCT SPEC | | - | |
| 1 PLC ± - | | APPLICATION SPEC | | ANGLED SO DIMM SOCKET ASSY, 0.6mm PITCH, 200 POSN, 22.5 DEGRESS TILT | |
| 2 PLC ± - | | WEIGHT | | SIZE CAGE CODE DRAWING NO RESTRICTED TO | |
| 3 PLC ± - | | - | | A3 00779 C-1834017 | |
| 4 PLC ± - | | CUSTOMER DRAWING | | SCALE SHEET 6 OF 7 REV B2 | |
| ANGLES ± - | | - | | - | |
| FINISH | | - | | - | |

THIS DRAWING IS UNPUBLISHED. RELEASED FOR PUBLICATION
 © COPYRIGHT - By - ALL RIGHTS RESERVED.

| LOC | DIST | REVISIONS | | | |
|-----|------|-------------|------|-----|------|
| P | LTR | DESCRIPTION | DATE | DWN | APVD |
| DW | - | SEE SHEET 1 | - | - | - |



- NOTE:
- MATERIAL:
 - EMBOSSSED CARRIER: PS
 - COVER TAPE: PET
 - QUANTITY:
 - PRIMARY: 80 PCS/REEL
 - SECONDARY PACKING: 3 REELS/BOX (240 PCS)
 - WEIGHT:
 - NET WEIGHT: 1.08 KG/BOX
 - GROSS WEIGHT: 3.9 KG/BOX
 - PELLING RESISTANCE: 39g~97g.
 - PELLING SPEED: 300mm/minutes (400mm MIN.)



| | | | | | |
|--|-----|------------------|--------|--|-----------|
| THIS DRAWING IS A CONTROLLED DOCUMENT. | | DWN | - | STE TE Connectivity | |
| DIMENSIONS: mm | | CHK | - | | |
| TOLERANCES UNLESS OTHERWISE SPECIFIED: | | APVD | - | NAME | |
| 0 PLC | ± - | PRODUCT SPEC | - | - | |
| 1 PLC | ± - | APPLICATION SPEC | - | ANGLED SO DIMM SOCKET ASSY, 0.6mm PITCH, 200 POSN, 22.5 DEGRESS TILT | |
| 2 PLC | ± - | WEIGHT | - | SIZE | CAGE CODE |
| 3 PLC | ± - | CUSTOMER DRAWING | - | A3 | 00779 |
| 4 PLC | ± - | SCALE | - | DRAWING NO | C-1834017 |
| ANGLES | ± - | SHEET | 7 OF 7 | RESTRICTED TO | - |
| FINISH | - | REV | B2 | | |

X-ON Electronics

Largest Supplier of Electrical and Electronic Components

Click to view similar products for [IC & Component Sockets](#) category:

Click to view products by [TE Connectivity](#) manufacturer:

Other Similar products are found below :

[714-43-102-31-012000](#) [0066-3-17-15-30-14-02-0](#) [0134-0-15-15-32-27-04-0](#) [614-DG5](#) [6527-0-00-15-00-00-03-0](#) [670](#) [672](#) [673](#) [712-93-120-41-001000](#) [714-93-104-31-018000](#) [8059-4G1-LF](#) [807-22-001-10-001101](#) [807-22-001-10-003101](#) [807-22-001-10-004101](#) [807-22-001-10-006101](#) [807-22-001-30-011101](#) [807-22-001-30-012101](#) [807-22-001-30-013101](#) [807-22-001-30-014101](#) [8-1437531-4](#) [8150-6P10](#) [833-93-034-10-001000](#) [835-43-014-10-001000](#) [851-41-006-10-001000](#) [851-43-008-20-001000](#) [851-43-014-20-001000](#) [851-93-006-20-001000](#) [851-93-010-20-001000](#) [853-43-020-10-001000](#) [86.010.0053.0](#) [116-43-306-41-003000](#) [116-43-308-41-007000](#) [PX-68LCC](#) [PX-84LCC](#) [121-13-318-41-001000](#) [121-13-320-41-001000](#) [121-13-308-41-001000](#) [123-43-314-41-801000](#) [123-43-420-41-001000](#) [123-43-636-41-001000](#) [123-87-320-41-001101](#) [122-13-316-41-001000](#) [123-13-624-41-001000](#) [123-43-306-41-001000](#) [123-43-322-41-801000](#) [123-43-428-41-001000](#) [123-43-624-41-001000](#) [12-3513-11](#) [123-91-320-41-001000](#) [126-43-310-41-002000](#)