

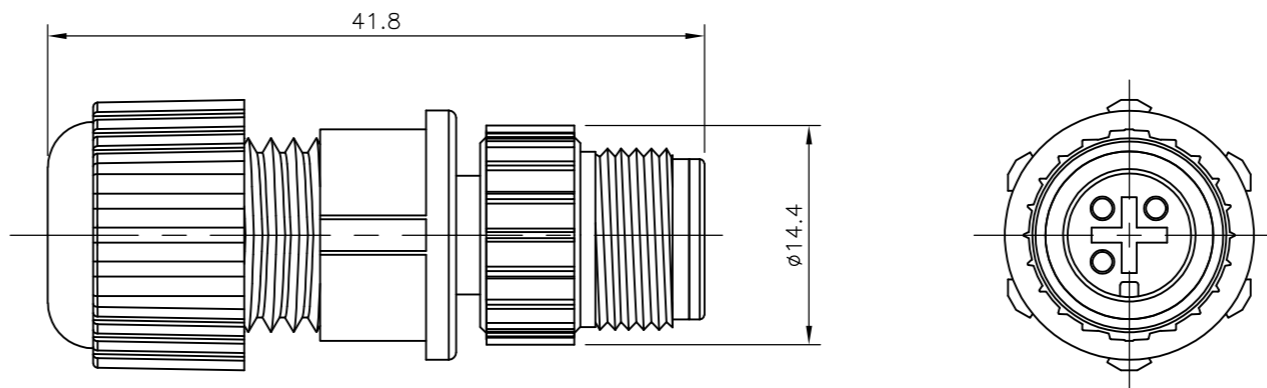
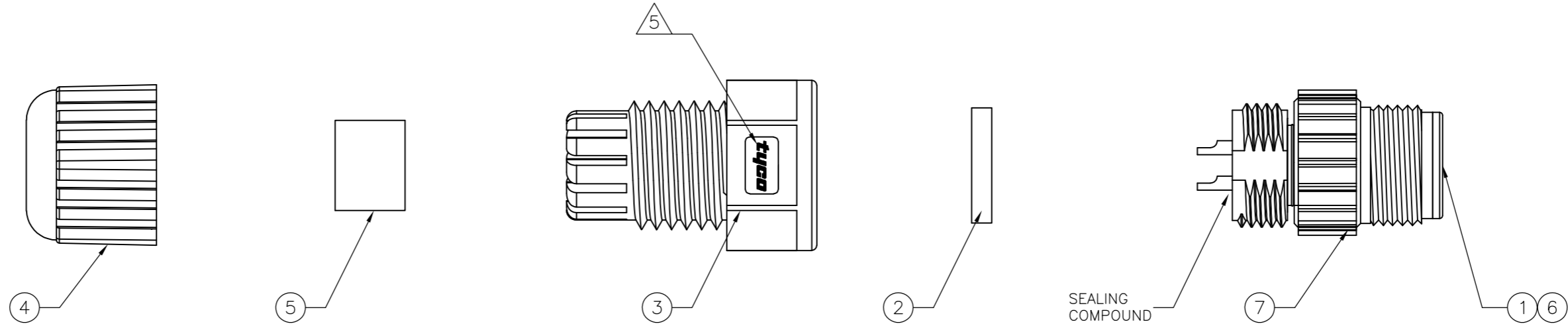
THIS DRAWING IS UNPUBLISHED. RELEASED FOR PUBLICATION
 © COPYRIGHT - By - ALL RIGHTS RESERVED.

| LOC | DIST | REVISIONS | | | | | |
|-----|------|-----------|-----|---------------------------|---------|-----|------|
| E | B | P | LTR | DESCRIPTION | DATE | DWN | APVD |
| | | B1 | | REVISED PER ECO-11-005150 | 21MAR11 | RK | HMR |

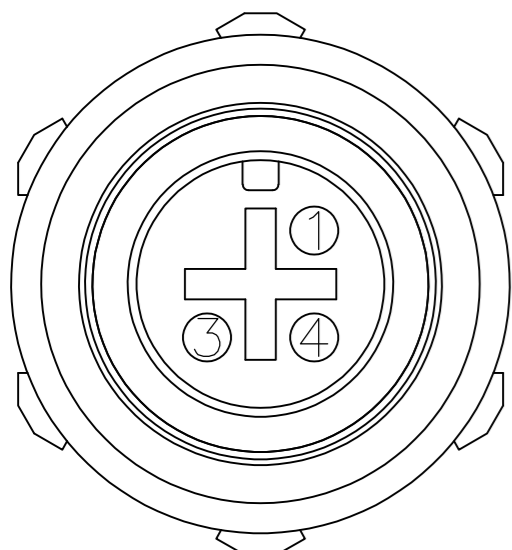
NOTES:

- ELECTRICAL DATA: CONTACT RESISTANCE: 10 mOhm MAX
 INSULATION RESISTANCE: 100 MOhm MIN at 500VDC
 CURRENT RATING: 5 AMPS (FOR 3, 4 AND 5 POSITIONS) AND 2 AMPS (FOR 8 POSITION ONLY)
 BREAKDOWN VOLTAGE: 500 VAC MIN PER MINUTE
- ENVIRONMENTAL: OPERATING TEMPERATURE: -25°C TO +90°C
 SEALING REQUIREMENTS: IP67
- PACKAGING: 107-3334
- SEAL FOR CABLE OD: ϕ 4.5mm - ϕ 6.5mm
- FOR TECHNICAL DATA REFER TO YOUR LOCAL TE CONNECTIVITY SALES OFFICE.
- ALL DIMENSIONS ARE FOR NOMINAL REFERENCE ONLY UNLESS OTHERWISE STATED.

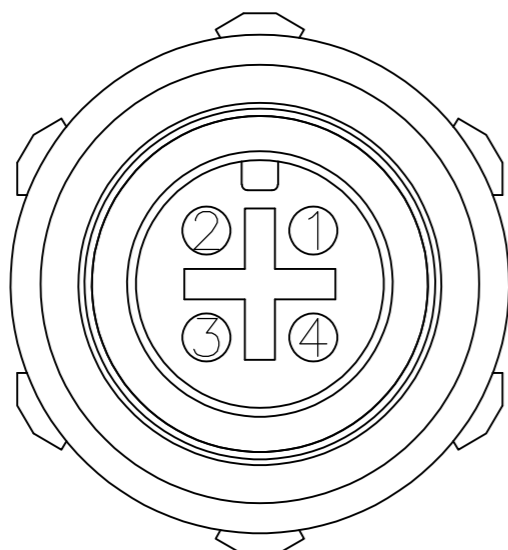
| ITEM | DESCRIPTION | MATERIAL | FINISH/COLOUR | QUANTITY / ITEM | | |
|------|-------------------|---------------|-------------------------------|-----------------|----|----|
| | | | | -1 | -2 | -3 |
| 1 | CONNECTOR HOUSING | GF NYLON | BLACK | 1 | 1 | 1 |
| 2 | GASKET | SILICONE | BLACK | 1 | 1 | 1 |
| 3 | CONNECTOR BODY | GF NYLON | BLACK | 1 | 1 | 1 |
| 4 | SEALING NUT | GF NYLON | BLACK | 1 | 1 | 1 |
| 5 | SEAL | EPDM | BLACK | 1 | 1 | 1 |
| 6 | PIN CONTACT | BRASS | 0.15 μ m GOLD OVER NICKEL | 3 | 4 | 5 |
| 7 | SCREW NUT | ZINC DIE CAST | 2.5 μ m NICKEL PLATED | 1 | 1 | 1 |



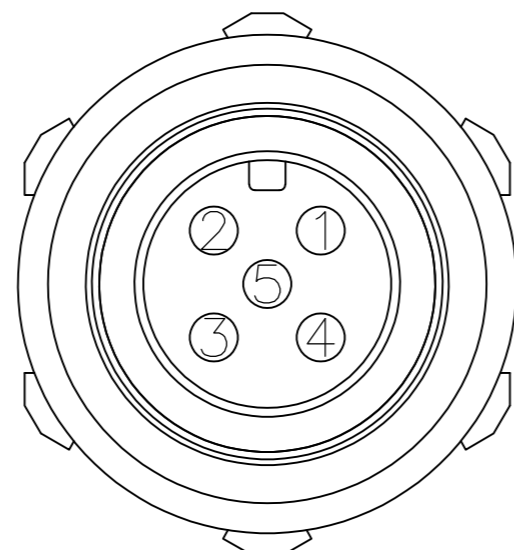
1838275-1
PIN ASSIGNMENTS
FRONT VIEW



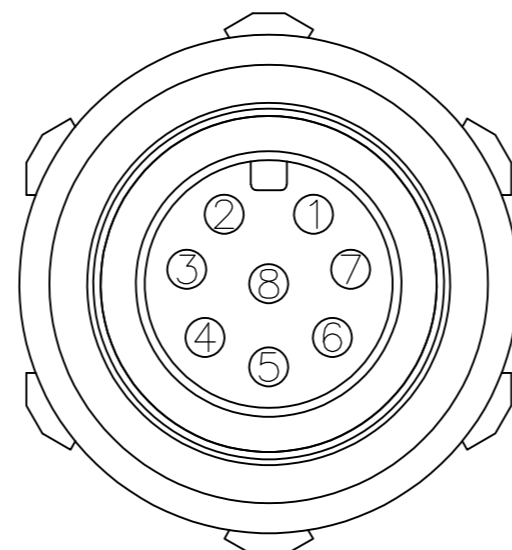
1838275-2
PIN ASSIGNMENTS
FRONT VIEW



1838275-3
PIN ASSIGNMENTS
FRONT VIEW



1838275-4
PIN ASSIGNMENTS
FRONT VIEW



| DESCRIPTION | NO. OF POS | PART NUMBER |
|--|------------|-------------|
| M12 FIELD SERVICEABLE CONNECTOR, MALE PIN, SOLDER TYPE | 8 | 1838275-3 |
| M12 FIELD SERVICEABLE CONNECTOR, MALE PIN, SOLDER TYPE | 5 | 1838275-3 |
| M12 FIELD SERVICEABLE CONNECTOR, MALE PIN, SOLDER TYPE | 4 | 1838275-2 |
| M12 FIELD SERVICEABLE CONNECTOR, MALE PIN, SOLDER TYPE | 3 | 1838275-1 |

THIS DRAWING IS A CONTROLLED DOCUMENT.

| | | |
|------------------|-----------------|---------|
| DWN | A. Morey | 14MAR06 |
| CHK | F. Wheeler-King | 12APR06 |
| APVD | F. Wheeler-King | 12APR06 |
| PRODUCT SPEC | | |
| APPLICATION SPEC | | |
| WEIGHT | | |
| CUSTOMER DRAWING | | |

TE Connectivity

M12 FIELD SERVICEABLE CONNECTOR, MALE PIN, SOLDER TYPE

SIZE: A2 CAGE CODE: 00779 DRAWING NO: C=1838275 RESTRICTED TO: -

SCALE: NTS SHEET: 1 OF 1 REV: B1

X-ON Electronics

Largest Supplier of Electrical and Electronic Components

Click to view similar products for [Circular Metric Connectors](#) category:

Click to view products by [TE Connectivity](#) manufacturer:

Other Similar products are found below :

[600X518037X](#) [6STD15PCR99B70A](#) [8R4000A16M020](#) [8R5000A16M005](#) [1200910002](#) [1203580030](#) [1200910008](#) [1200910011](#) [1300140094](#)
[130203-0054](#) [1300140026](#) [1300150099](#) [RF-12S1N8A90DU](#) [1-3637-600-5205](#) [1612618](#) [21036836414](#) [8R4006A16M010](#) [8R5006A18A120](#)
[1604232](#) [1R3006A20M005](#) [RF-12P1N8A80DU](#) [RF-12P1N8A90DU](#) [41-40011](#) [42-01015](#) [4-22279-4](#) [4-22281-1](#) [4-22284-9](#) [43-00113](#) [43-](#)
[01088](#) [43-01203](#) [41-40013](#) [42-00008](#) [43-00343](#) [43-01032](#) [43-01162](#) [43-10000](#) [600X518050X](#) [SACC-DSI-FS-5P-PG9-L180 SC](#)
[8R5006A16M020](#) [8R5006A16M005](#) [8R4000A16M010](#) [6-22279-3](#) [1605332](#) [N03FA03144](#) [1300140077](#) [43-01338](#) [XS2RD4265](#) [RSC 4/9](#)
[XS2R-D426-1](#) [XS8A-0441](#)