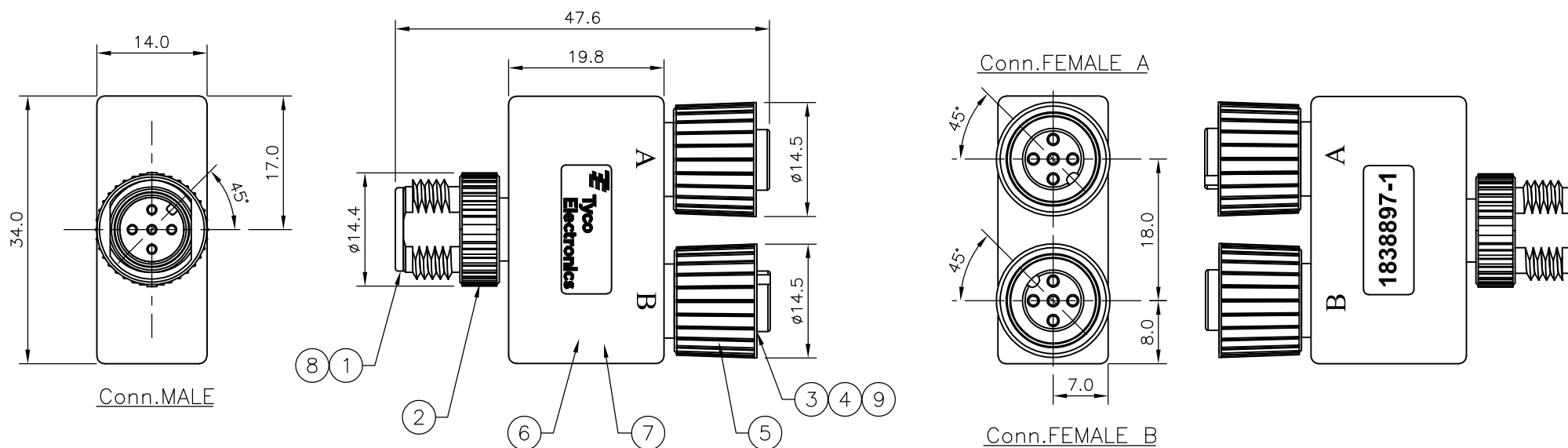


LOC	DIST	REVISIONS					
E	B	P	LTR	DESCRIPTION	DATE	DWN	APVD
		B		ECR-07-016769	17JUL07	AM	FWK

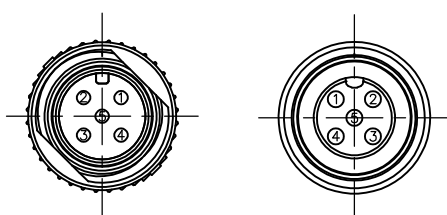
NOTES:

- ELECTRICAL DATA: CONTACT RESISTANCE: 10 mOhm MAX  
INSULATION RESISTANCE: 100 MOhm MIN at 500VDC  
CURRENT RATING: 5 AMPS  
BREAKDOWN VOLTAGE: 500 VAC MIN PER MINUTE
- ENVIRONMENTAL: OPERATING TEMPERATURE: -25°C TO +90°C  
SEALING REQUIREMENTS: IP67
- PROD SPEC: 108-3641
- FOR TECHNICAL DATA REFER TO YOUR LOCAL TYCO ELECTRONICS SALES OFFICE.
- ALL DIMENSIONS ARE NOMINAL FOR REFERENCE ONLY UNLESS OTHERWISE STATED.

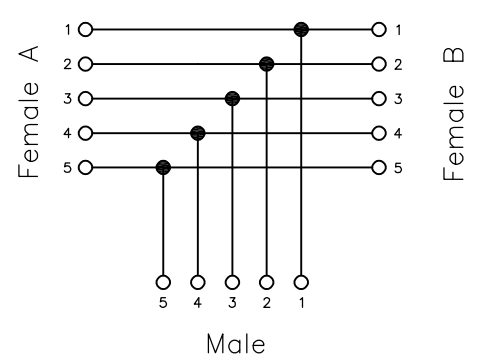
ITEM	DESCRIPTION	MATERIAL	FINISH/COLOUR	QTY
1	CONNECTOR BODY	POLYURETHANE	BLACK	1
2	SCREW NUT (MALE)	ZINC DIE CAST	2.5µm NICKEL PLATED	1
3	CONNECTOR BODY	POLYURETHANE	BLACK	2
4	'O' RING	VITON	GREEN	2
5	SCREW NUT (FEMALE)	ZINC DIE CAST	2.5µm NICKEL PLATED	2
6	CONNECTOR HOUSING	POLYURETHANE	BLACK	1
7	WIRE HARNESS (UL1007)	24 AWG	-	1
8	PIN CONTACT	BRASS	0.15µm GOLD OVER NICKEL	5
9	SOCKET CONTACT	BRASS	0.15µm GOLD OVER NICKEL	10



PIN ASSIGNMENTS



INTERNAL CONNECTIONS



THIS DRAWING IS A CONTROLLED DOCUMENT.

DIMENSIONS:	TOLERANCES UNLESS OTHERWISE SPECIFIED:
mm	0 PLC ± -
	1 PLC ± -
	2 PLC ± -
	3 PLC ± -
	4 PLC ± -
	ANGLES ± -

MATERIAL	FINISH
-	-

DWN	A.Morey	01JUN07	Tyco Electronics Corporation	
CHK	F.Wheeler-King	04JUN07	Bideford, UK, EX39 4HE	
APVD	F.Wheeler-King	04JUN07	NAME	
PRODUCT SPEC			M12 Y ADAPTOR	
APPLICATION SPEC			5POS MALE, FEMALE, FEMALE	
SIZE	CAGE CODE	DRAWING NO	RESTRICTED TO	
A3	00779	C-1838897	-	
CUSTOMER DRAWING			SCALE	SHEET
			NTS	1 OF 1
			REV	B

## X-ON Electronics

Largest Supplier of Electrical and Electronic Components

*Click to view similar products for [Circular Metric Connectors](#) category:*

*Click to view products by [TE Connectivity](#) manufacturer:*

Other Similar products are found below :

[600X518037X](#) [6STD15PCR99B70A](#) [8R4000A16M020](#) [8R5000A16M005](#) [1200910002](#) [1203580030](#) [1200910008](#) [1200910011](#) [1300140094](#)  
[130203-0054](#) [1300140026](#) [1300150099](#) [RF-12S1N8A90DU](#) [1-3637-600-5205](#) [1612618](#) [21036836414](#) [8R4006A16M010](#) [8R5006A18A120](#)  
[1604232](#) [1R3006A20M005](#) [RF-12P1N8A80DU](#) [RF-12P1N8A90DU](#) [41-40011](#) [42-01015](#) [4-22279-4](#) [4-22281-1](#) [4-22284-9](#) [43-00113](#) [43-](#)  
[01088](#) [43-01203](#) [41-40013](#) [42-00008](#) [43-00343](#) [43-01032](#) [43-01162](#) [43-10000](#) [600X518050X](#) [SACC-DSI-FS-5P-PG9-L180 SC](#)  
[8R5006A16M020](#) [8R5006A16M005](#) [8R4000A16M010](#) [6-22279-3](#) [1605332](#) [N03FA03144](#) [1300140077](#) [43-01338](#) [XS2RD4265](#) [RSC 4/9](#)  
[XS2R-D426-1](#) [XS8A-0441](#)