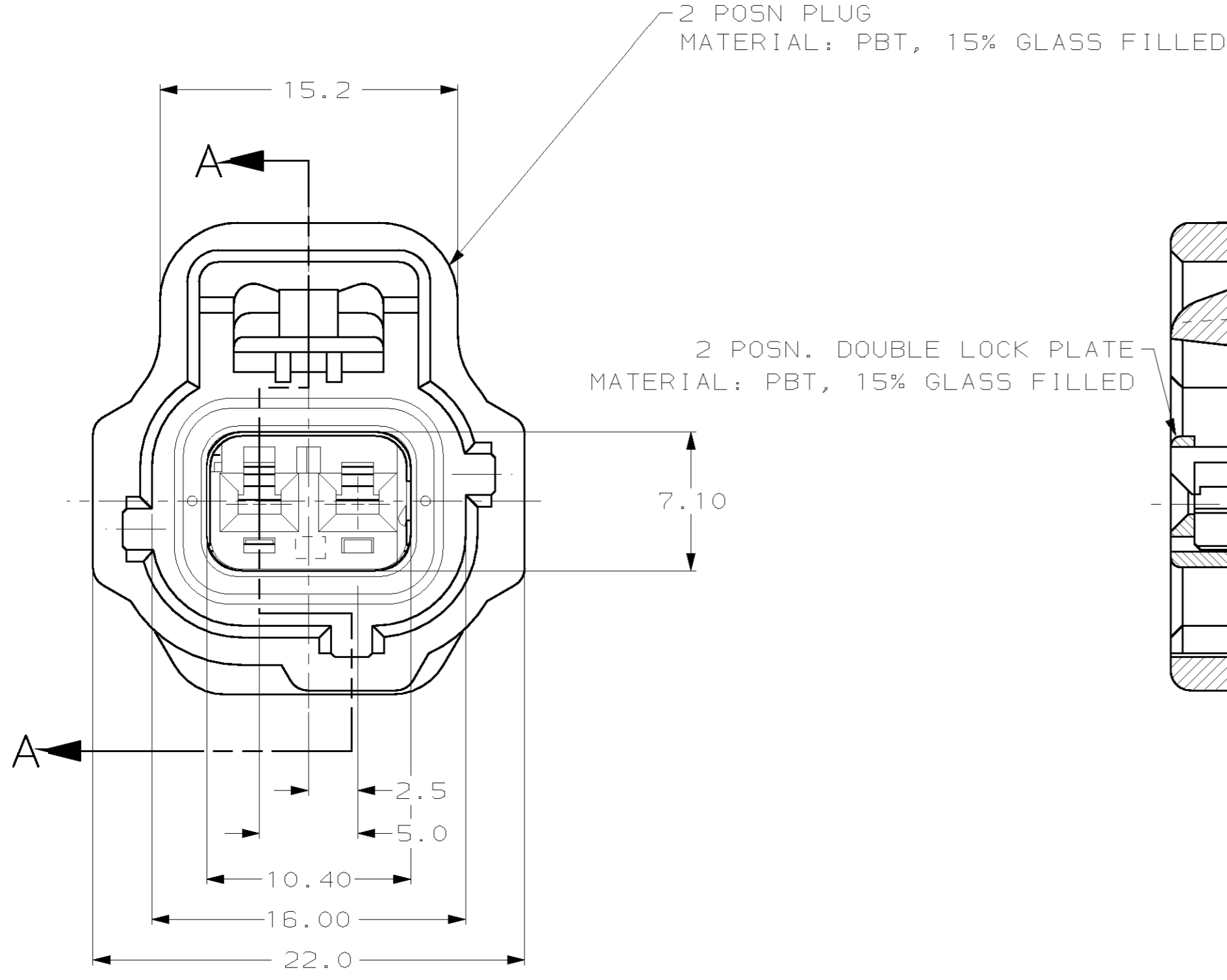


THIS DRAWING IS UNPUBLISHED. RELEASED FOR PUBLICATION .19
 BY AMP INCORPORATED. ALL RIGHTS RESERVED.

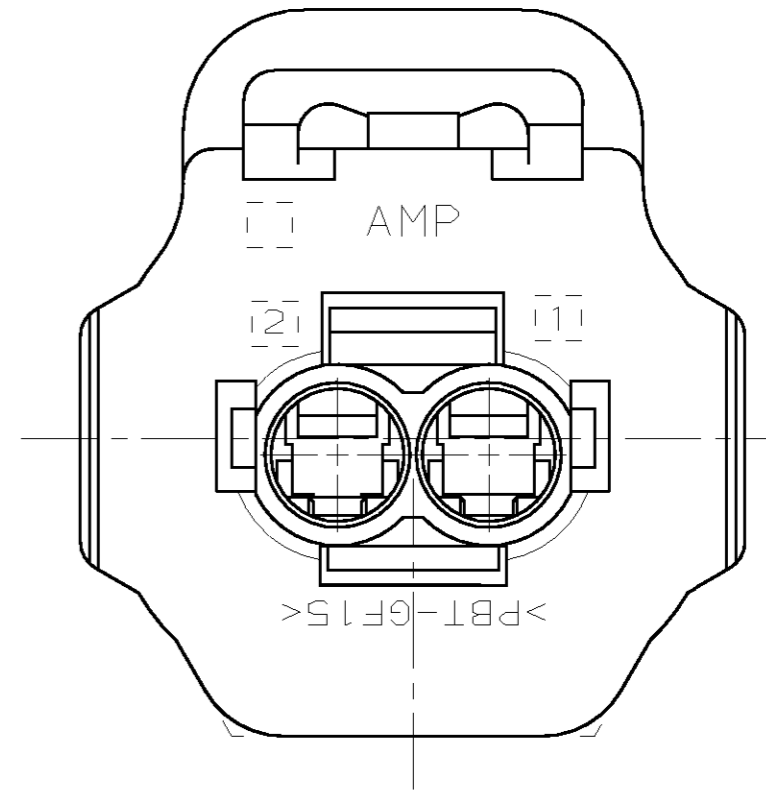
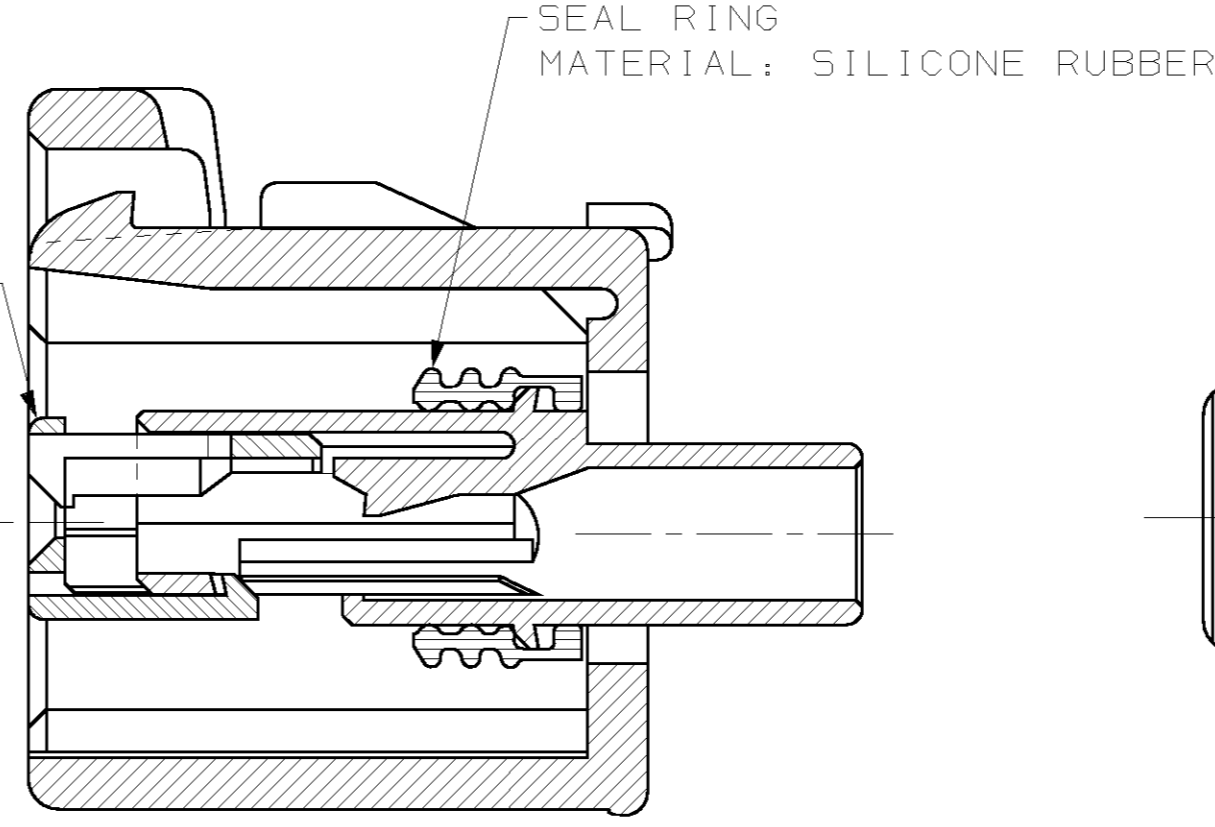
LOC G DIST 16

| REVISIONS | | | | | |
|-----------|-----|------------------------------|----------|-----|------|
| P | LTR | DESCRIPTION | DATE | DWN | APVD |
| 0 | | RELEASED, WAS 92-4072-2313-6 | - | - | - |
| A | | REV PER ECN 0720-0290-94 | 10/14/94 | KDL | JPK |
| B | | REV PER ECN 0720-0446-94 | 12/16/94 | KW | JK |
| C | | REV PER ECN 0K50-0003-96 | 08/13/96 | KW | JK |
| D | | REV PER EC# 0K40-0140-00 | 6-28-00 | PC | GI |



2 POSN PLUG
 MATERIAL: PBT, 15% GLASS FILLED

2 POSN. DOUBLE LOCK PLATE
 MATERIAL: PBT, 15% GLASS FILLED



SECTION A-A

KEYING TYPE F

| | | |
|--|---|---|
| <small>THIS DRAWING IS A CONTROLLED DOCUMENT FOR AMP INCORPORATED. IT IS SUBJECT TO CHANGE AND THE CONTROLLING ENGINEERING ORGANIZATION SHOULD BE CONTACTED FOR THE LATEST REVISION.</small> | | DWN KD LYTLE 3/25/94 CHK JP KUNKLE 4/19/94 APVD - PRODUCT SPEC - APPLICATION SPEC - WEIGHT - CUSTOMER DRAWING |
| DIMENSIONS: mm | TOLERANCES UNLESS OTHERWISE SPECIFIED: 0 PLC ±- 1 PLC ±0.30 2 PLC ±0.15 3 PLC ±- 4 PLC ±- ANGLES ±- FINISH ±1* | NAME - SIZE A2 CAGE CODE 00779 DRAWING NO. C-184010 SCALE 4:1 SHEET 1 OF 1 REV D |

| | |
|---|------------|
| BLACK | 184010-1 |
| PLUG COLOR | PART NO |
| AMP Incorporated Harrisburg, PA 17105-3608 | |
| 1 X 2 PLG ASY KEY F-C3 | |
| SIZE | DRAWING NO |
| A2 | C-184010 |
| SCALE | SHEET |
| 4:1 | 1 OF 1 |
| | REV D |

184010

B

A

X-ON Electronics

Largest Supplier of Electrical and Electronic Components

Click to view similar products for [Automotive Connectors](#) category:

Click to view products by [TE Connectivity](#) manufacturer:

Other Similar products are found below :

[003-018-000](#) [60403001](#) [60993906-B](#) [M902-2131](#) [M902-2161](#) [M902-2344](#) [72.330.1035.1](#) [73.353.4028.0](#) [F119300-B](#) [F166900](#) [F258300-B](#)
[F358300-B](#) [F407400](#) [F444110](#) [F487000](#) [F509500B-B](#) [827153-1](#) [8N1515-32-24P](#) [9-1326729-8](#) [925474-1](#) [928905-1](#) [964562-4](#) [968782-1](#)
[GT17SA-8DS-HU](#) [98891-1012](#) [98947-1016](#) [12004147](#) [12004475-L](#) [12010290](#) [12015454](#) [12020219-B](#) [12041318-B](#) [12052225-L](#) [12052466](#)
[12064869](#) [12004327-B](#) [12015308](#) [12015384](#) [12015909](#) [1-21030-1](#) [12041254](#) [12041318](#) [12047946-B](#) [12047957](#) [12047957-L](#) [12059473](#)
[12066261](#) [12110546](#) [12110546-B](#) [12131792](#)