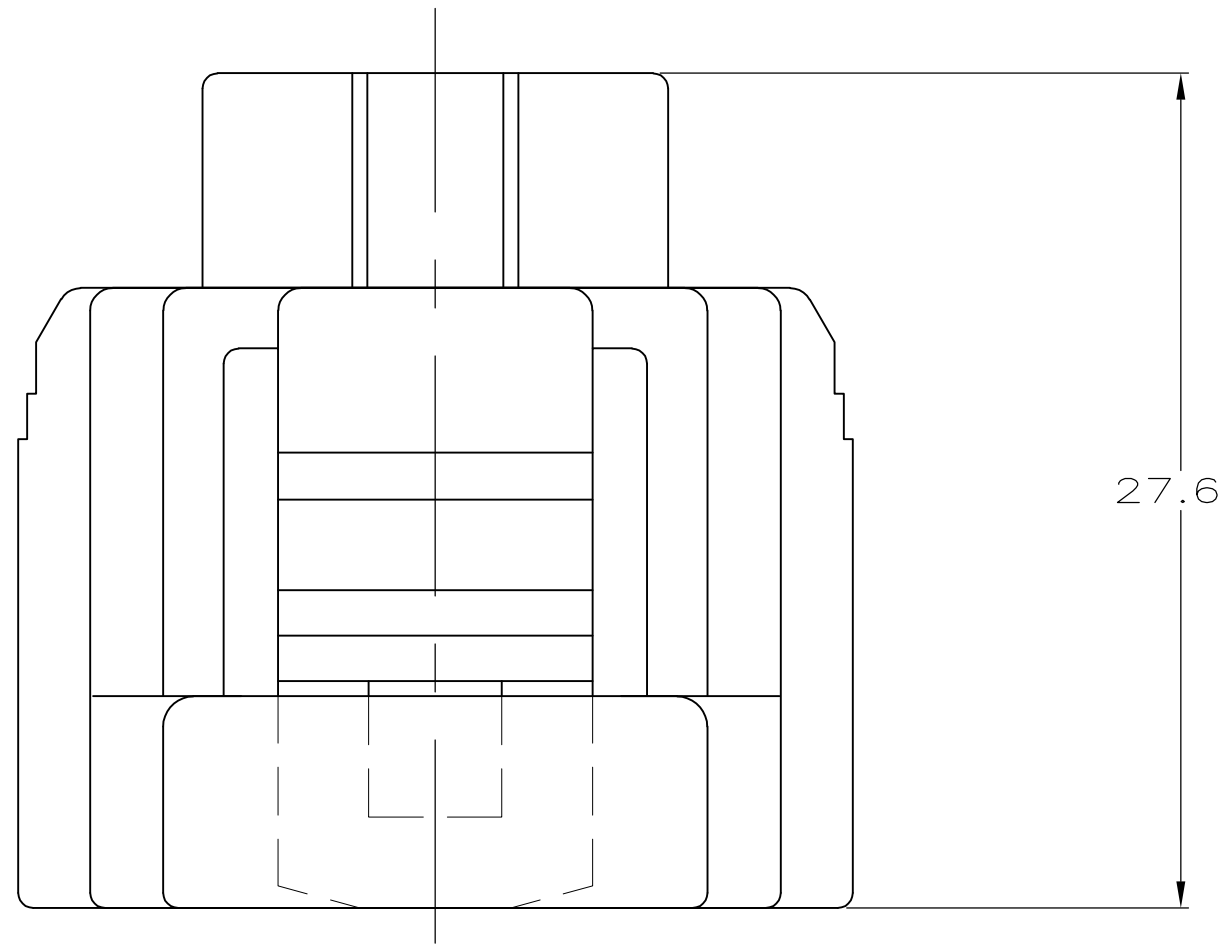
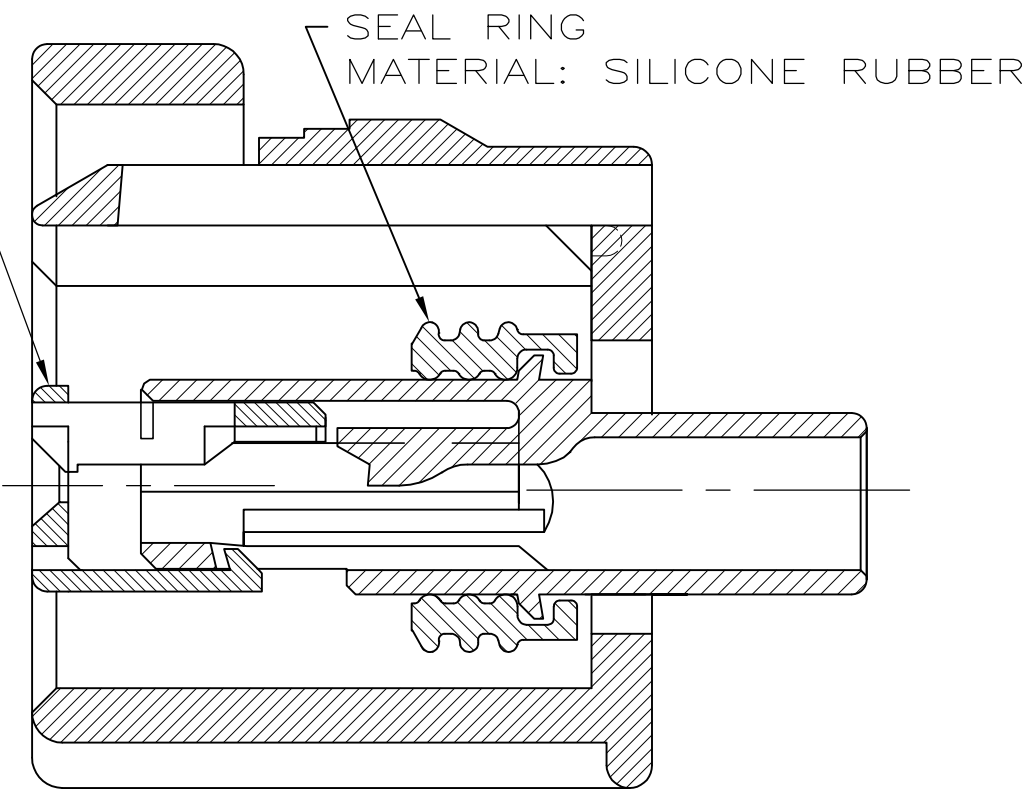


THIS DRAWING IS UNPUBLISHED. RELEASED FOR PUBLICATION  
 © COPYRIGHT - By - ALL RIGHTS RESERVED.

| LOC | DIST | REVISIONS   |                           |         |        |
|-----|------|-------------|---------------------------|---------|--------|
| P   | LTR  | DESCRIPTION | DATE                      | DWN     | APVD   |
| GE  | 00   | E1          | REVISED PER ECO-11-005030 | 11MAR11 | RK HMR |

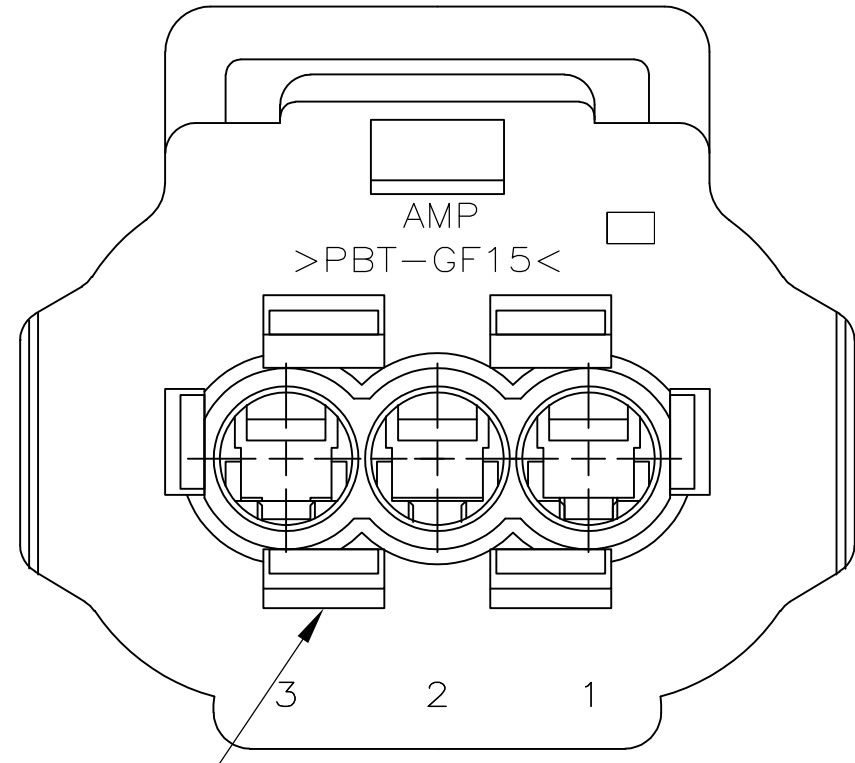


3 POSN. DOUBLE LOCK PLATE  
 MATERIAL: PBT, 15% GLASS FILLED

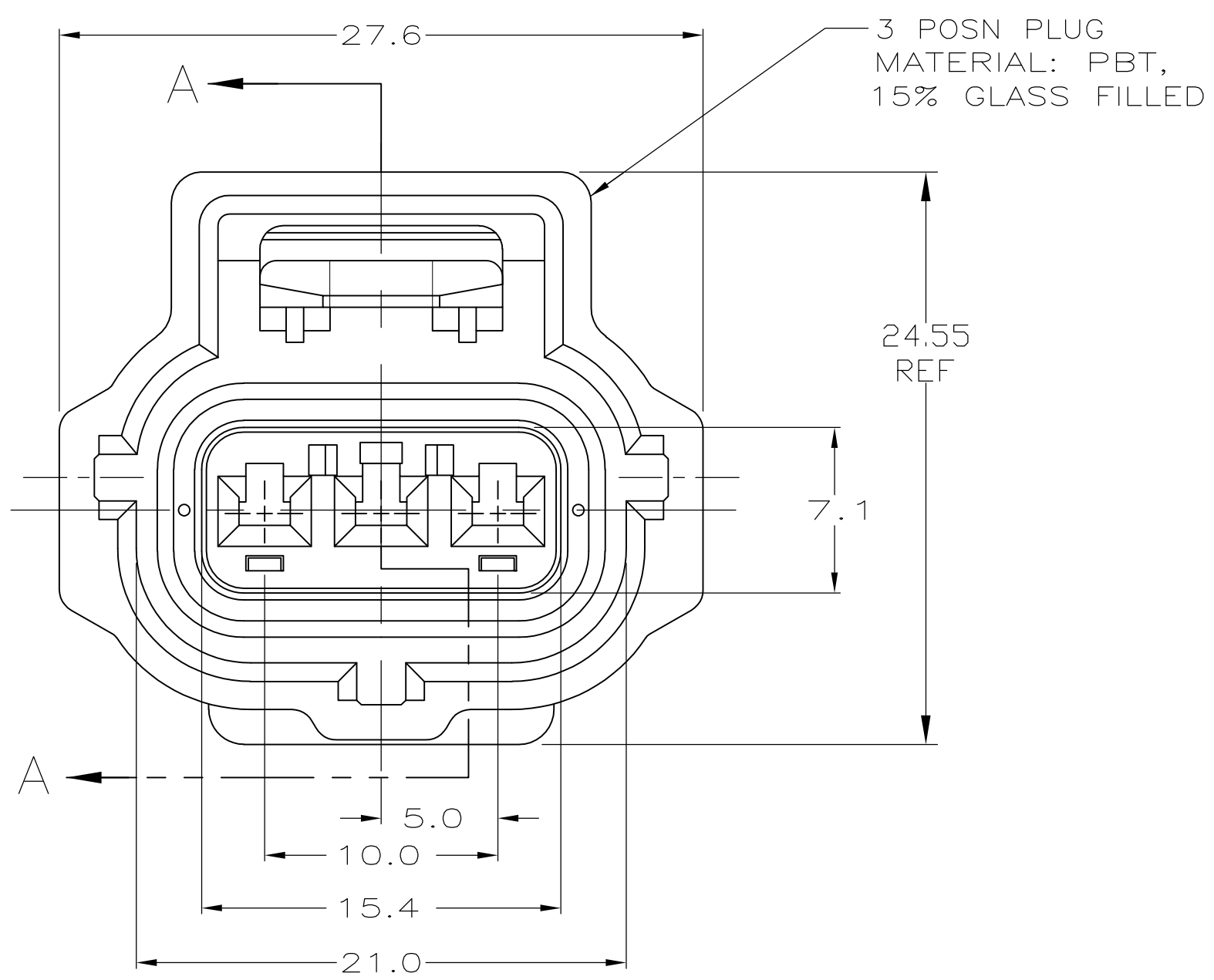
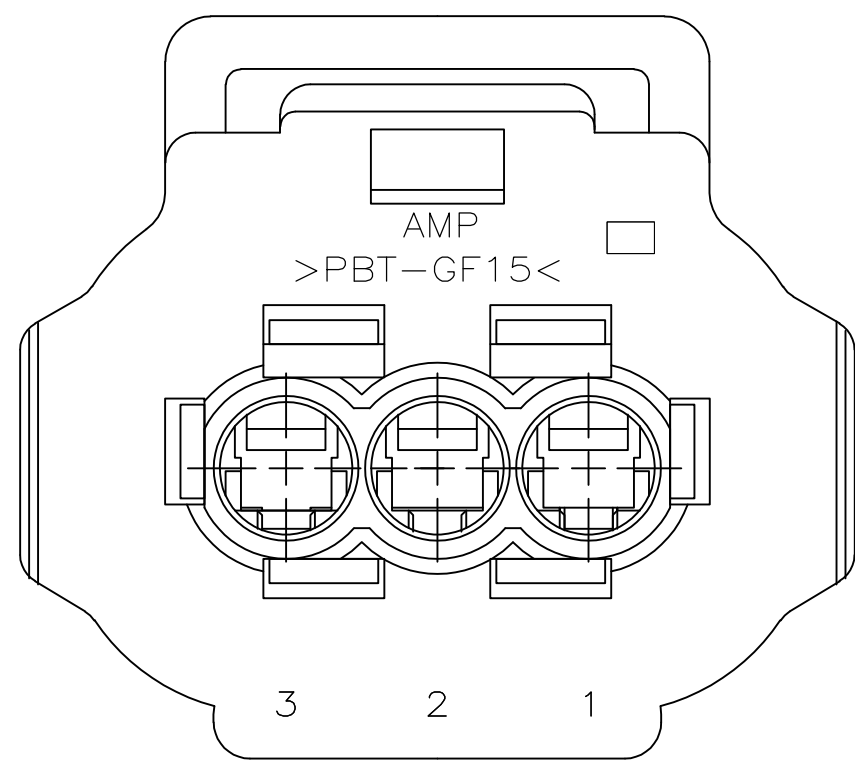


SEAL RING  
 MATERIAL: SILICONE RUBBER

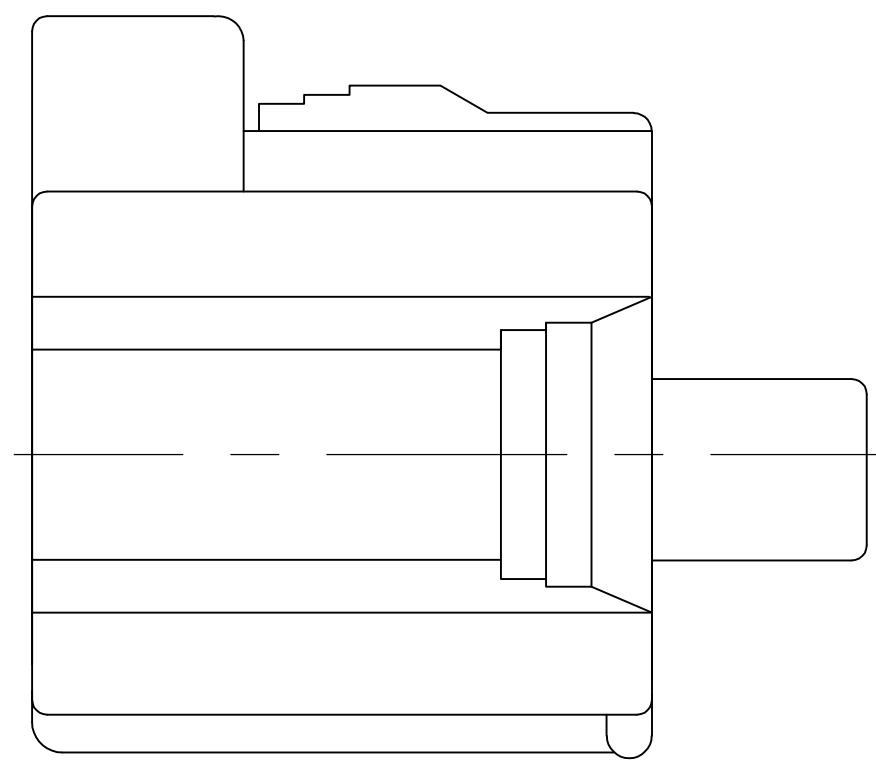
SECTION A-A



OPTIONAL CORING  
 2 PLACES



3 POSN. PLUG  
 MATERIAL: PBT,  
 15% GLASS FILLED



184032-1  
 PART NO

|  |  |        |           |         |                     |                  |  |                              |     |           |        |            |          |               |   |
|--|--|--------|-----------|---------|---------------------|------------------|--|------------------------------|-----|-----------|--------|------------|----------|---------------|---|
| THIS DRAWING IS A CONTROLLED DOCUMENT. |  | DWN    | KD LYTLE  | 12/8/94 | <br>TE Connectivity | NAME             |  | 1 X 3 PLUG ASSEMBLY KEY A-C3 |     |           |        |            |          |               |   |
| DIMENSIONS: mm                         |  | CHK    | JP KUNKLE | 12/9/94 |                     | PRODUCT SPEC     |  | SIZE                         | A2  | CAGE CODE | 00779  | DRAWING NO | C=184032 | RESTRICTED TO | - |
| TOLERANCES UNLESS OTHERWISE SPECIFIED: |  | APVD   | JP KUNKLE | 12/9/94 |                     | APPLICATION SPEC |  | SCALE                        | 4:1 | SHEET     | 1 OF 1 | REV        | E1       |               |   |
| MATERIAL AS NOTED                      |  | FINISH |           | WEIGHT  |                     | CUSTOMER DRAWING |  |                              |     |           |        |            |          |               |   |

## X-ON Electronics

Largest Supplier of Electrical and Electronic Components

*Click to view similar products for [Automotive Connectors](#) category:*

*Click to view products by [TE Connectivity](#) manufacturer:*

Other Similar products are found below :

[003-018-000](#) [60403001](#) [60993906-B](#) [M902-2131](#) [M902-2161](#) [72.330.1035.1](#) [73.353.4028.0](#) [F119300-B](#) [F166900](#) [F258300-B](#) [F358300-B](#)  
[F407400](#) [F444110](#) [F487000](#) [F509500B-B](#) [827153-1](#) [8N1515-32-24P](#) [9-1326729-8](#) [925474-1](#) [928905-1](#) [964562-4](#) [968782-1](#) [GT17SA-8DS-](#)  
[HU](#) [98891-1012](#) [98947-1016](#) [12004147](#) [12004475-L](#) [12010290](#) [12010309-B](#) [12015454](#) [12020219-B](#) [12020308](#) [12041318-B](#) [12052225-L](#)  
[12052466](#) [12059125](#) [12064869](#) [12004327-B](#) [12010503-B](#) [12015308](#) [12015384](#) [12015909](#) [1-21030-1](#) [12041254](#) [12041318](#) [12047946-B](#)  
[12047957](#) [12047957-L](#) [12059473](#) [12066261](#)