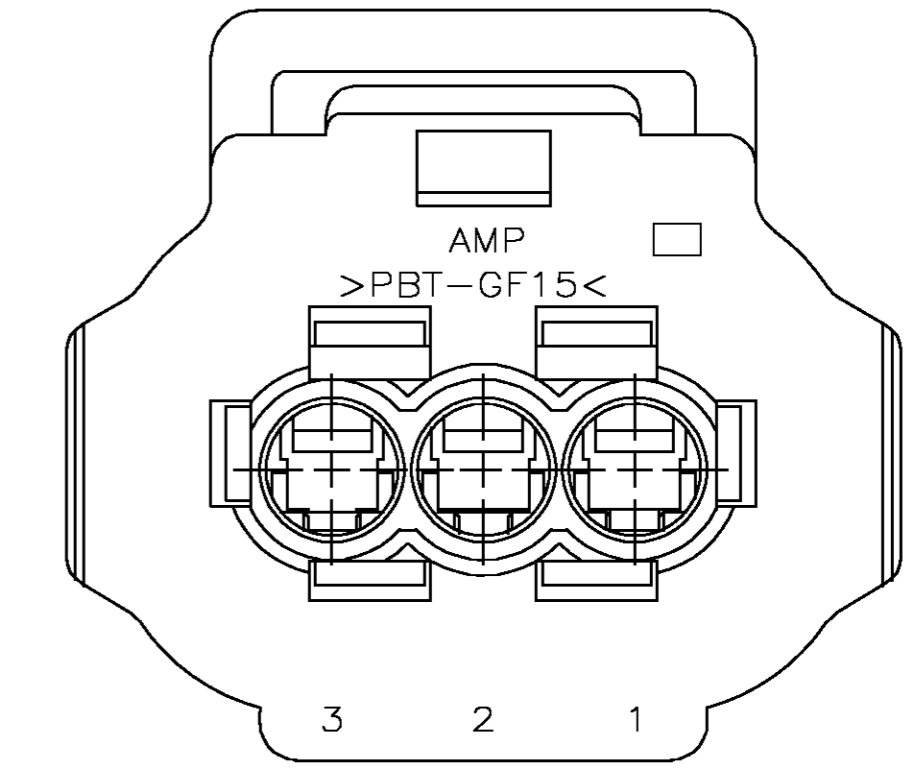
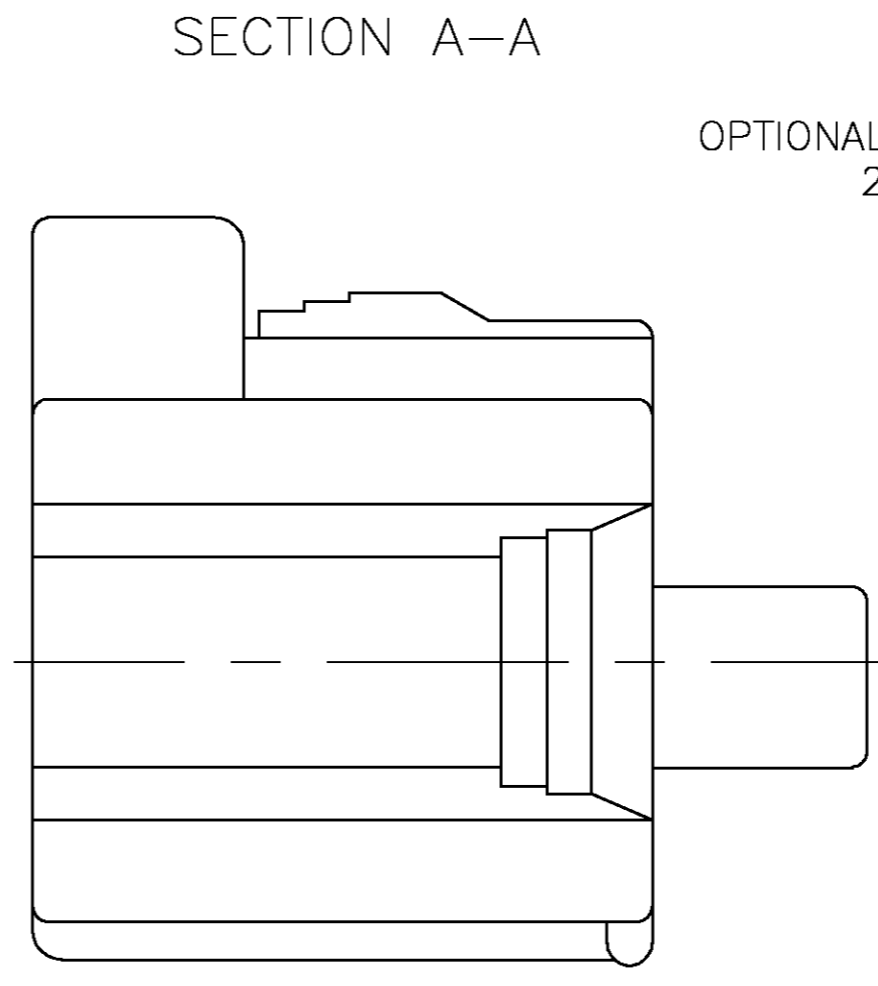
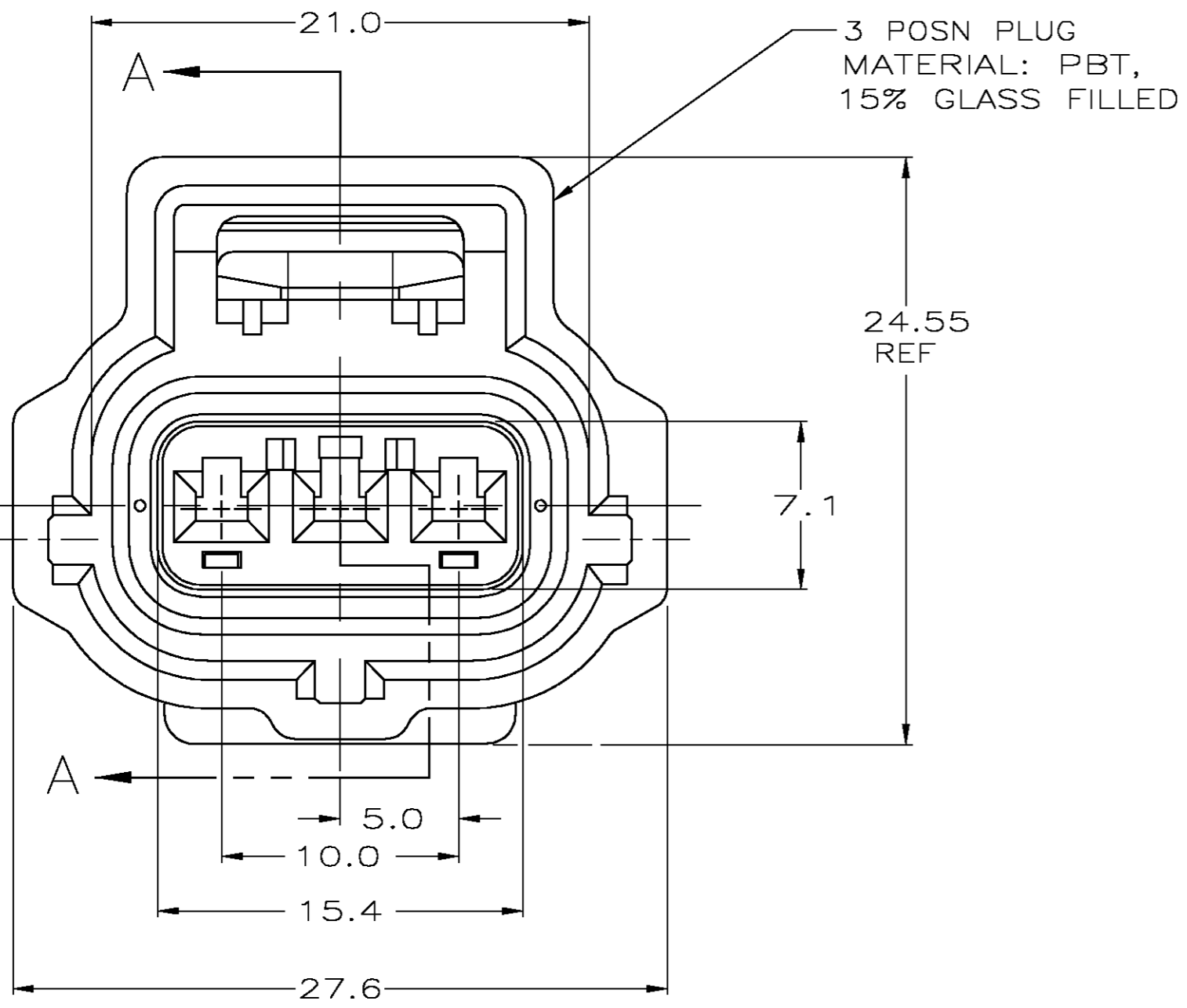
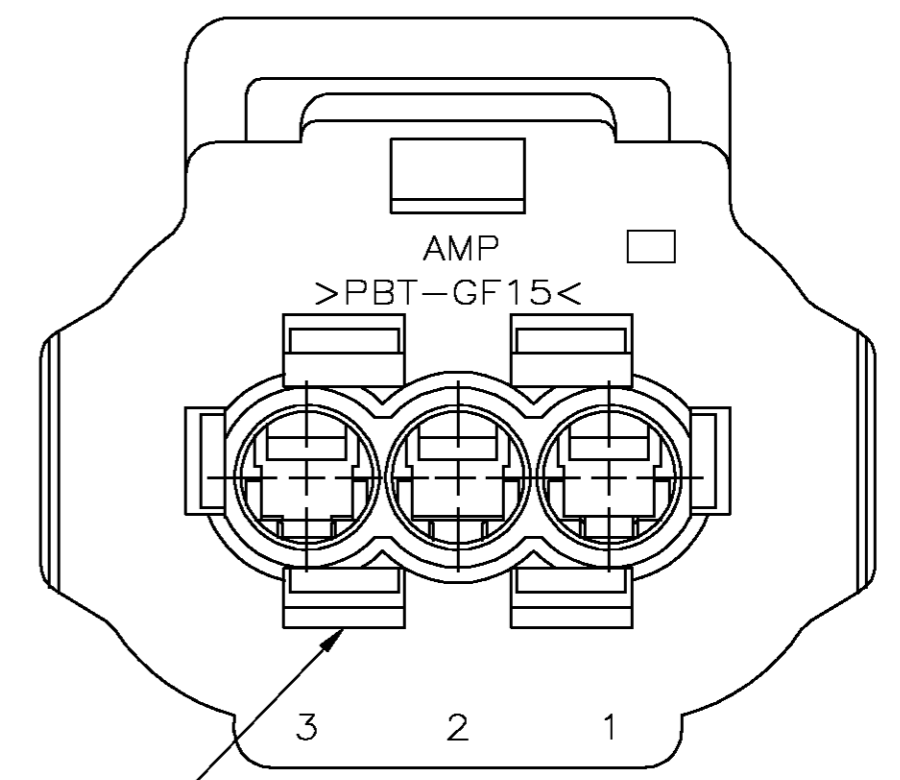
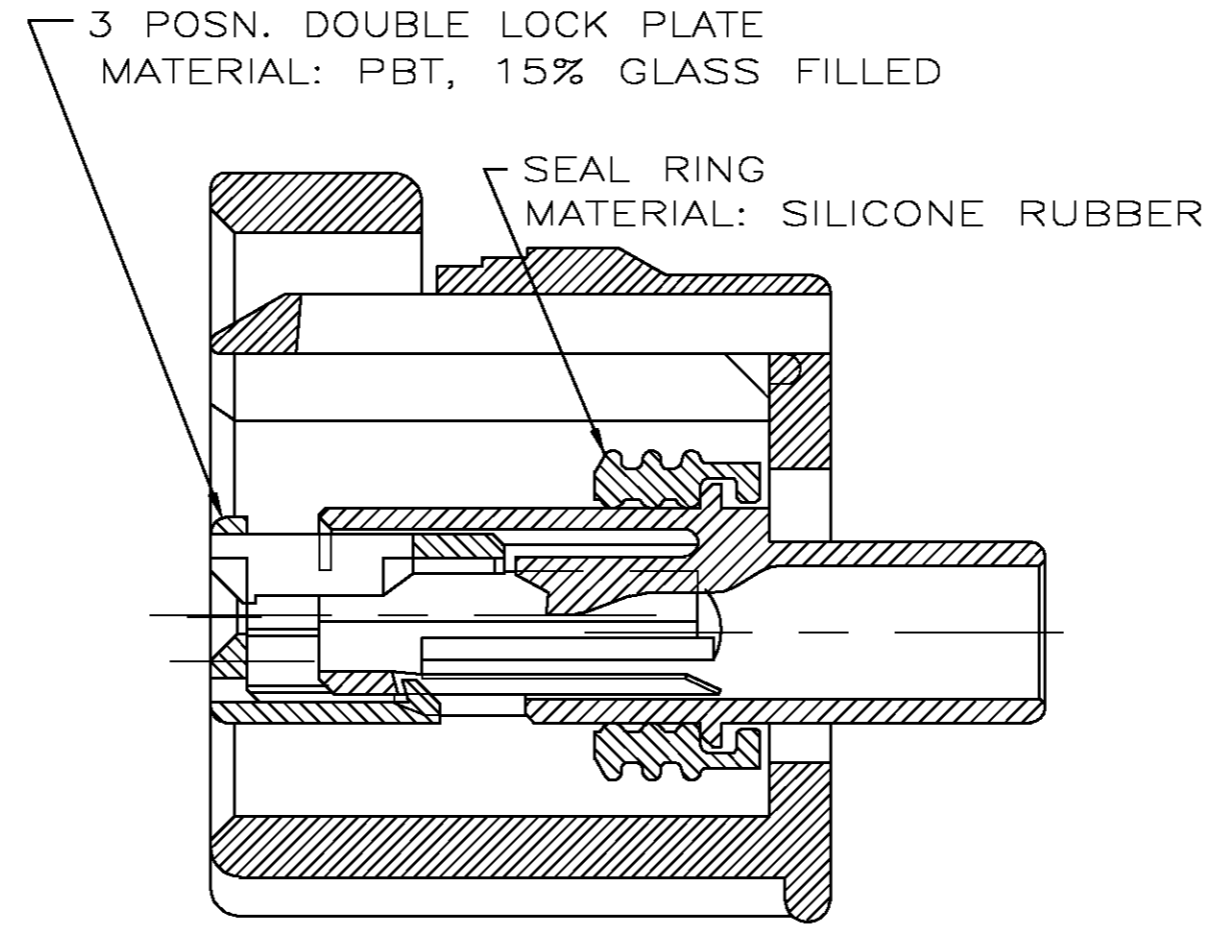
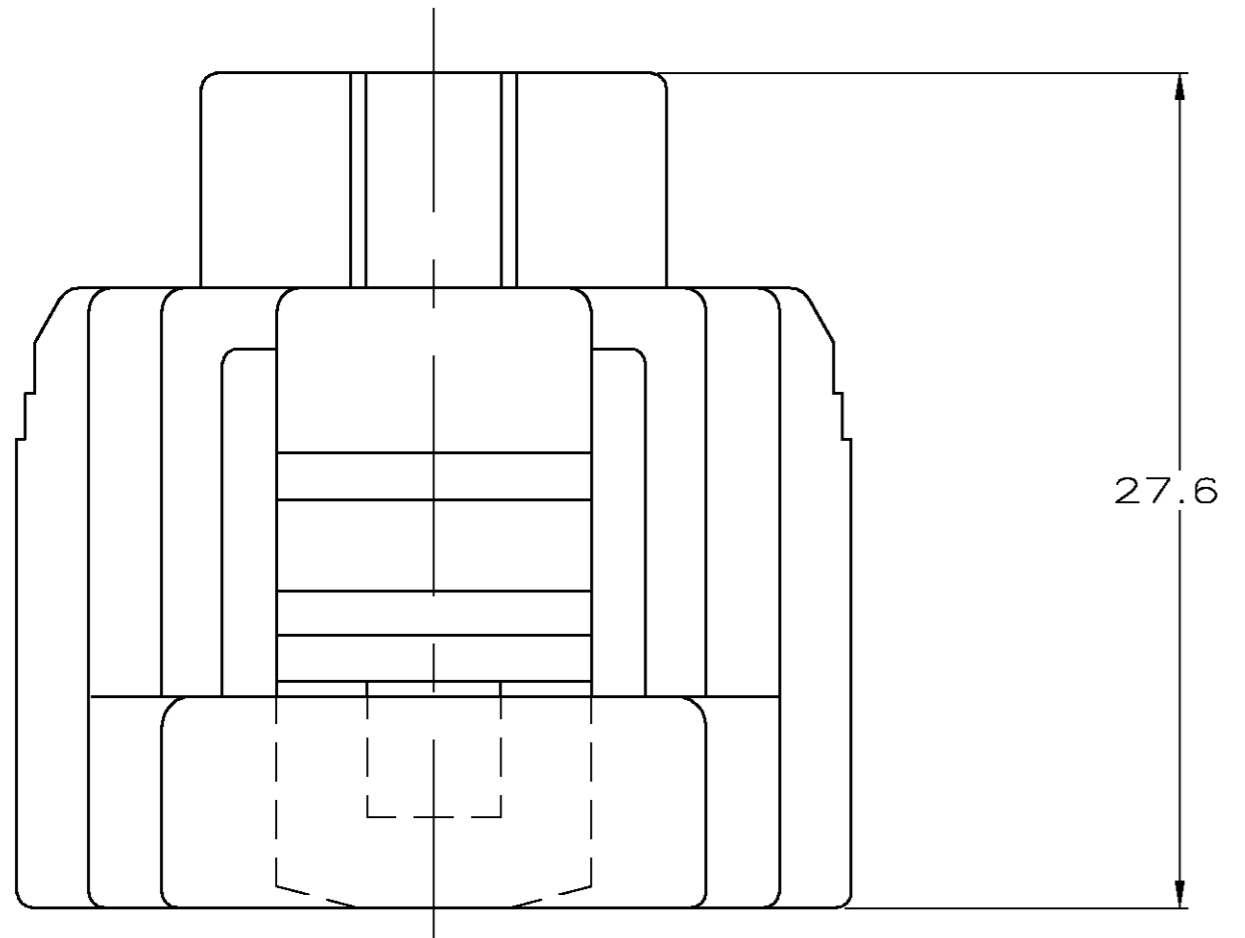


THIS DRAWING IS UNPUBLISHED. RELEASED FOR PUBLICATION
 © COPYRIGHT BY TYCO ELECTRONICS CORPORATION. ALL RIGHTS RESERVED.

LOC		DIST		REVISIONS			
P	LTR	DESCRIPTION	DATE	DWN	APVD		
G	16	E	REVISED PER EC 0K40-0387-04	19NOV2004	DLD	KLK	



OPTIONAL CORING
2 PLACES

184034-1
PART NO

THIS DRAWING IS A CONTROLLED DOCUMENT.		DWN KD LYTL	12/8/94	 Tyco Electronics Corporation Harrisburg, PA 17105-3608	1 X 3 PLUG ASSEMBLY KEY B-C3																			
DIMENSIONS: MM		CHK JP KUNKLE	12/9/94																					
TOLERANCES UNLESS OTHERWISE SPECIFIED:		APVD JP KUNKLE	12/9/94																					
<table border="0"> <tr><td>0 PLC</td><td>±</td><td>-</td></tr> <tr><td>1 PLC</td><td>±</td><td>0.3</td></tr> <tr><td>2 PLC</td><td>±</td><td>0.3</td></tr> <tr><td>3 PLC</td><td>±</td><td>-</td></tr> <tr><td>4 PLC</td><td>±</td><td>-</td></tr> <tr><td>ANGLES</td><td></td><td>±1°</td></tr> <tr><td>FINISH</td><td></td><td>-</td></tr> </table>		0 PLC	±			-	1 PLC	±	0.3	2 PLC	±	0.3	3 PLC	±	-	4 PLC	±	-	ANGLES		±1°	FINISH		-
0 PLC	±	-																						
1 PLC	±	0.3																						
2 PLC	±	0.3																						
3 PLC	±	-																						
4 PLC	±	-																						
ANGLES		±1°																						
FINISH		-																						
MATERIAL AS NOTED		WEIGHT -		SIZE A2	CAGE CODE 00779	DRAWING NO C=184034	RESTRICTED TO -																	
		CUSTOMER DRAWING		SCALE 4:1	SHEET 1 OF 1	REV E																		

X-ON Electronics

Largest Supplier of Electrical and Electronic Components

Click to view similar products for [Automotive Connectors](#) category:

Click to view products by [TE Connectivity](#) manufacturer:

Other Similar products are found below :

[003-018-000](#) [60403001](#) [60993906-B](#) [M902-2131](#) [M902-2161](#) [72.330.1035.1](#) [73.353.4028.0](#) [F119300-B](#) [F166900](#) [F258300-B](#) [F358300-B](#)
[F407400](#) [F444110](#) [F487000](#) [F509500B-B](#) [827153-1](#) [8N1515-32-24P](#) [9-1326729-8](#) [925474-1](#) [928905-1](#) [964562-4](#) [968782-1](#) [GT17SA-8DS-](#)
[HU](#) [98891-1012](#) [98947-1016](#) [12004147](#) [12004475-L](#) [12010290](#) [12010309-B](#) [12015454](#) [12020219-B](#) [12020308](#) [12041318-B](#) [12052225-L](#)
[12052466](#) [12059125](#) [12064869](#) [12004327-B](#) [12010503-B](#) [12015308](#) [12015384](#) [12015909](#) [1-21030-1](#) [12041254](#) [12041318](#) [12047946-B](#)
[12047957](#) [12047957-L](#) [12059473](#) [12066261](#)