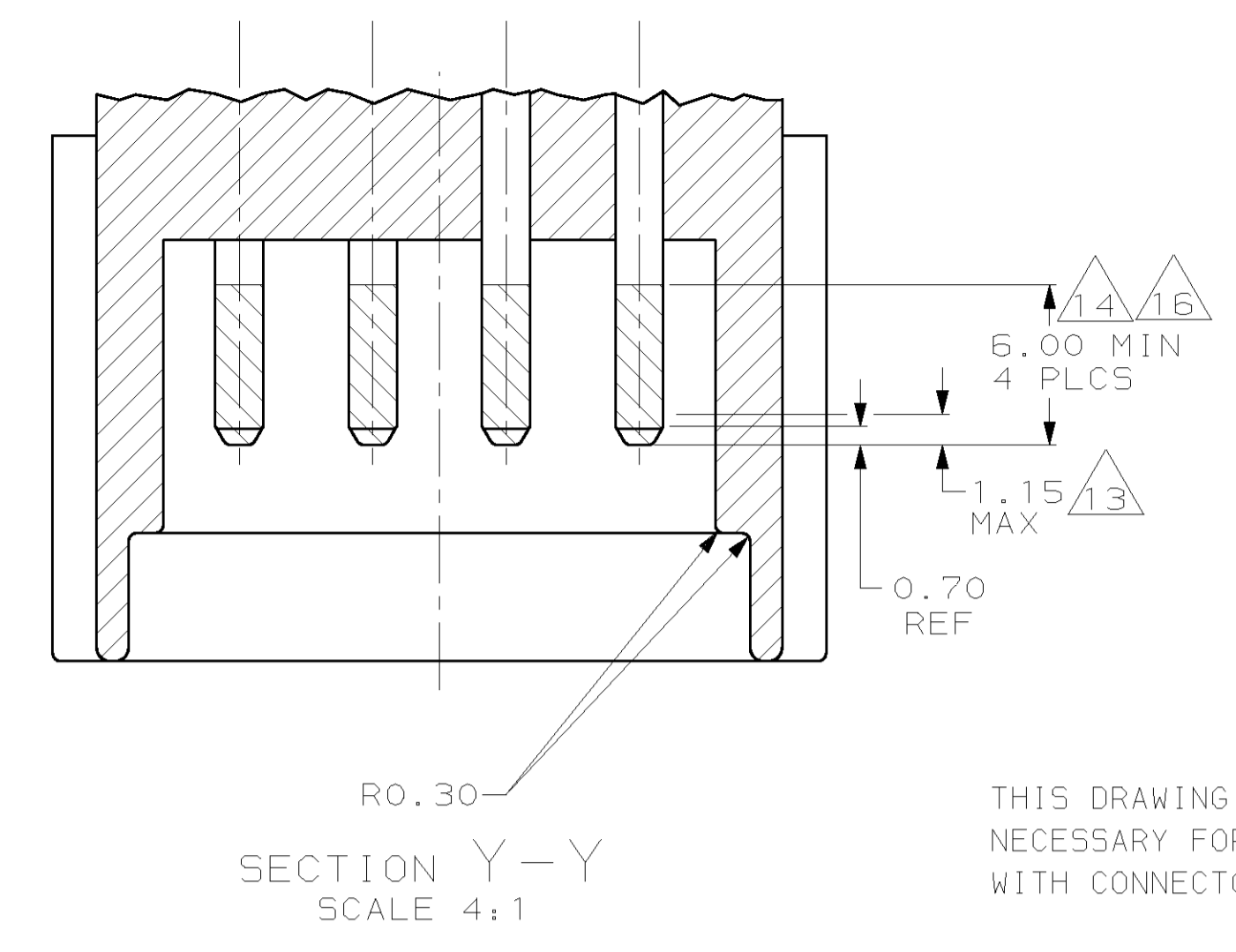
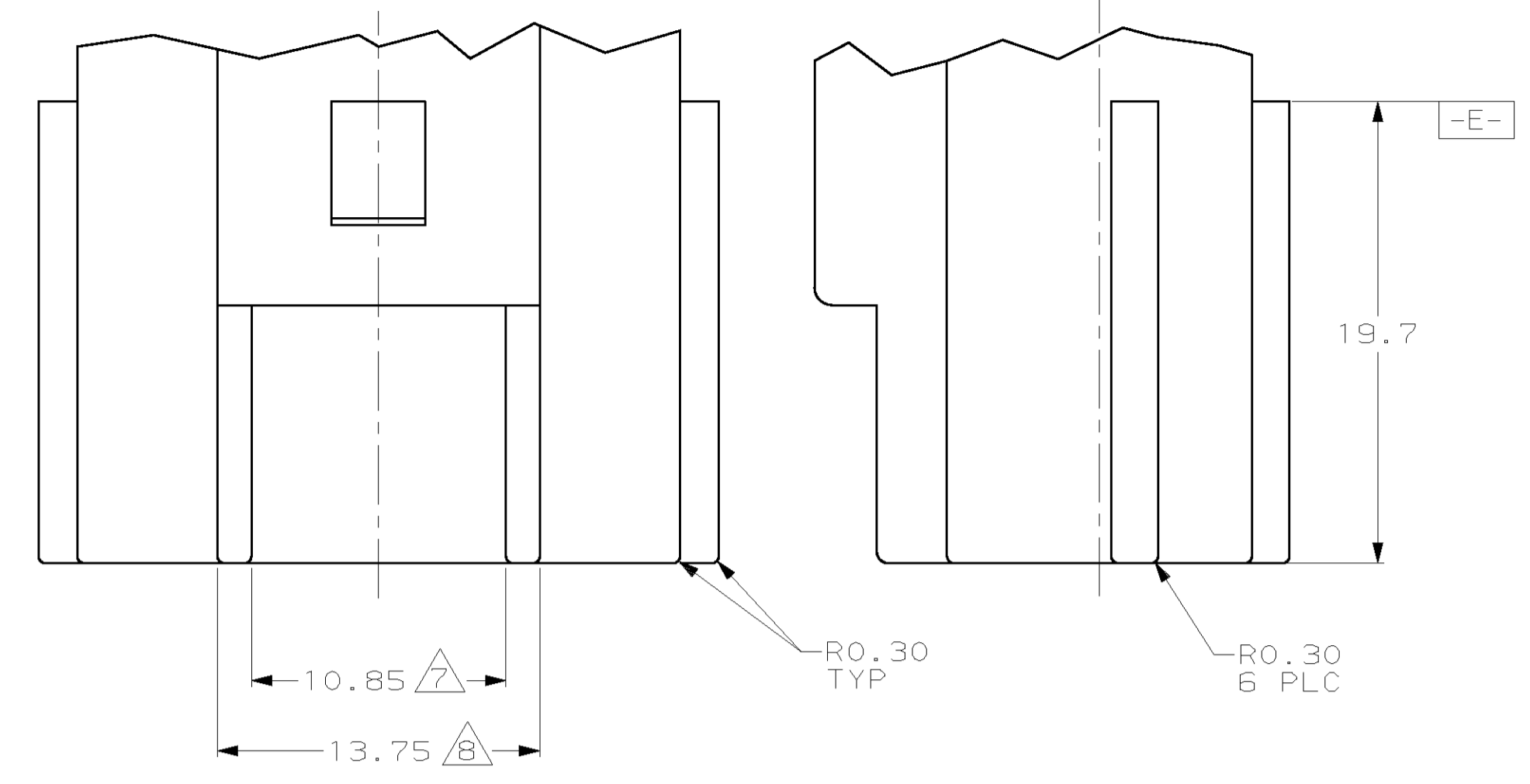
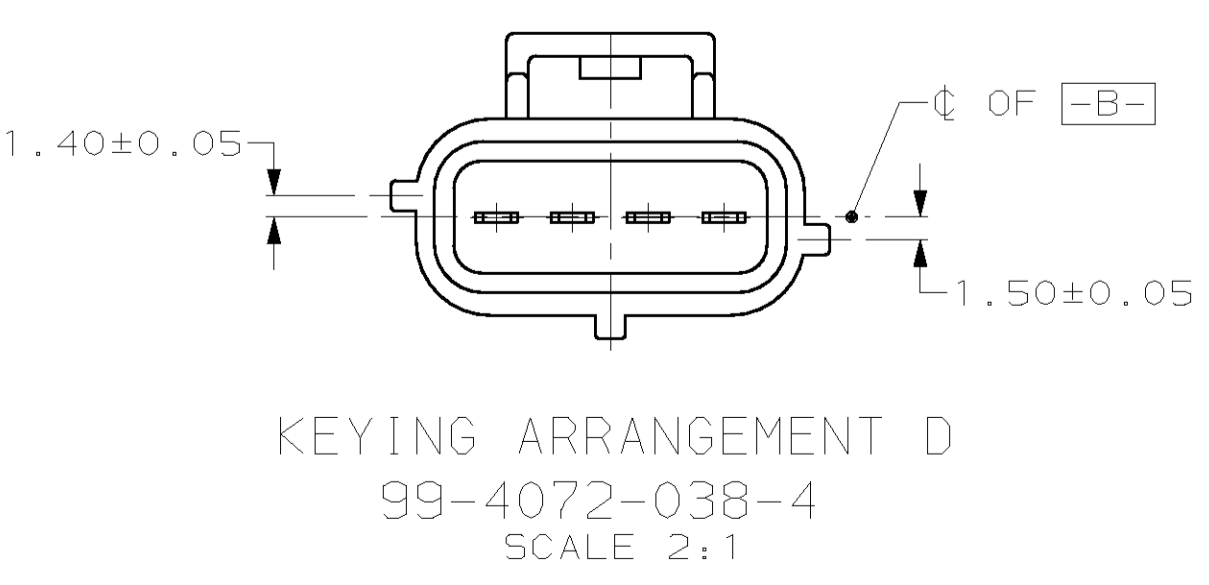
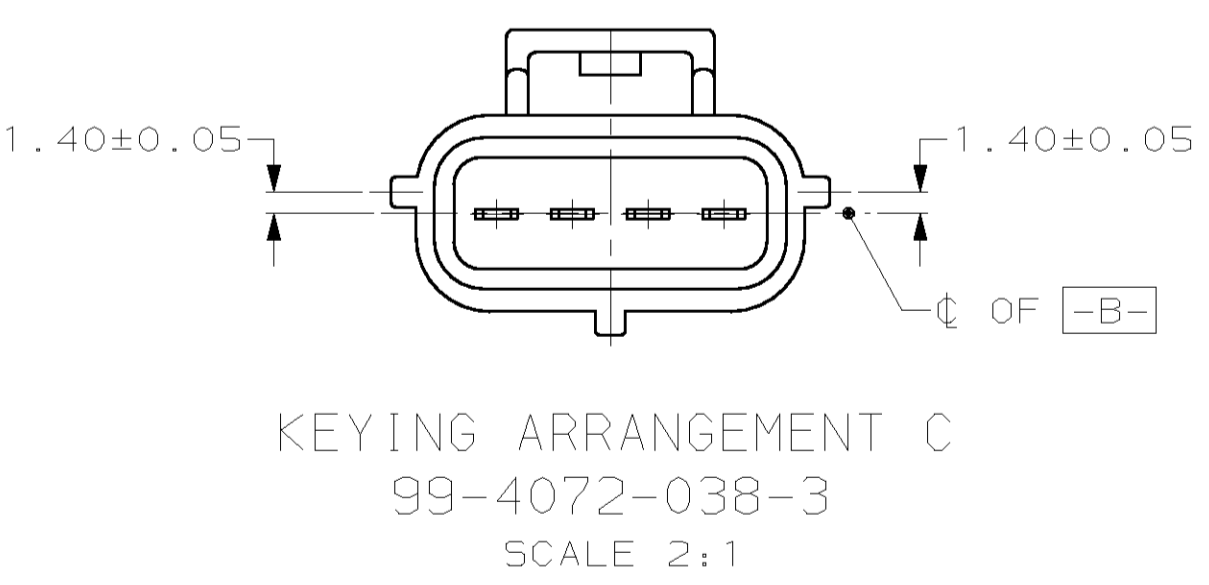
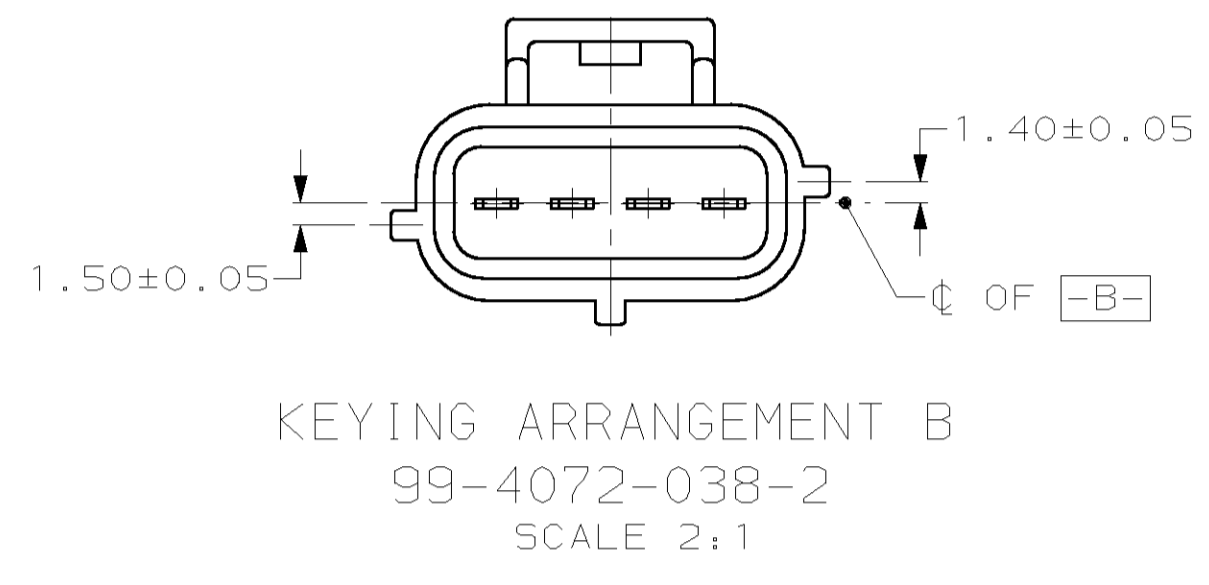
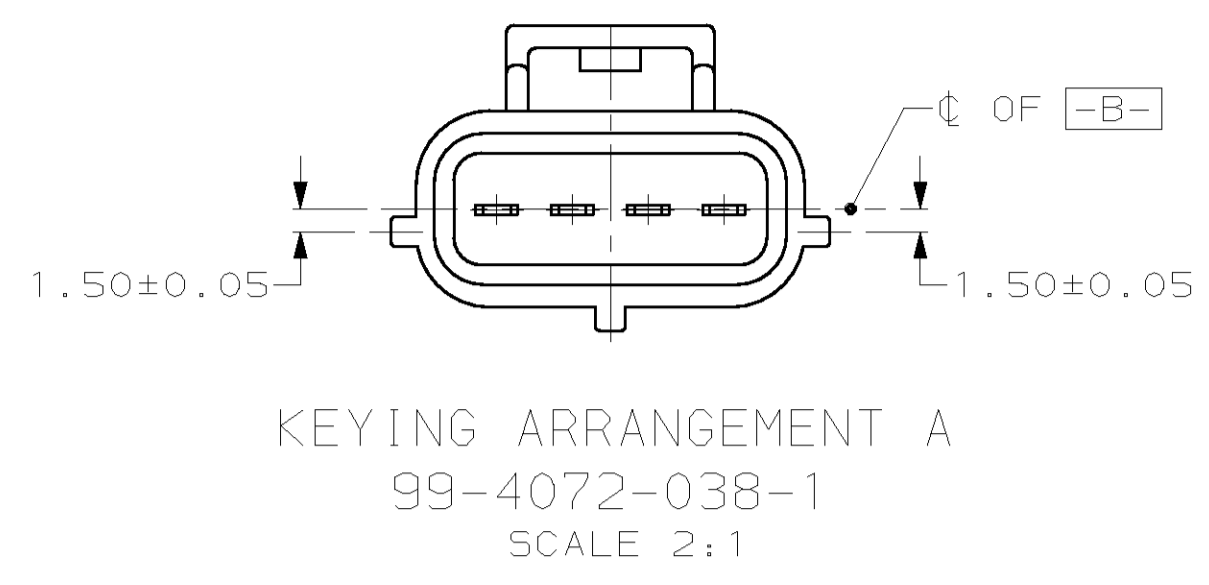
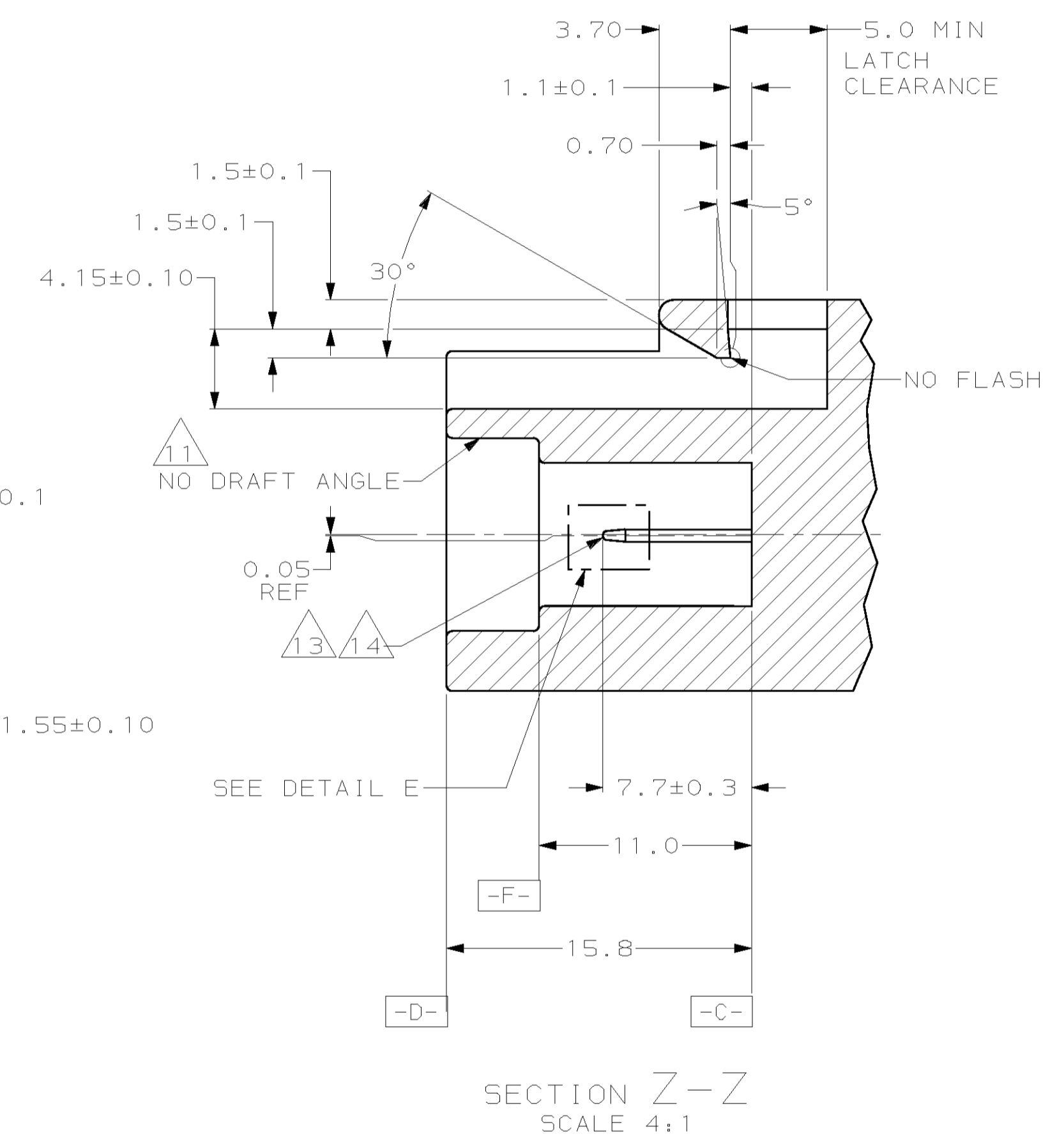
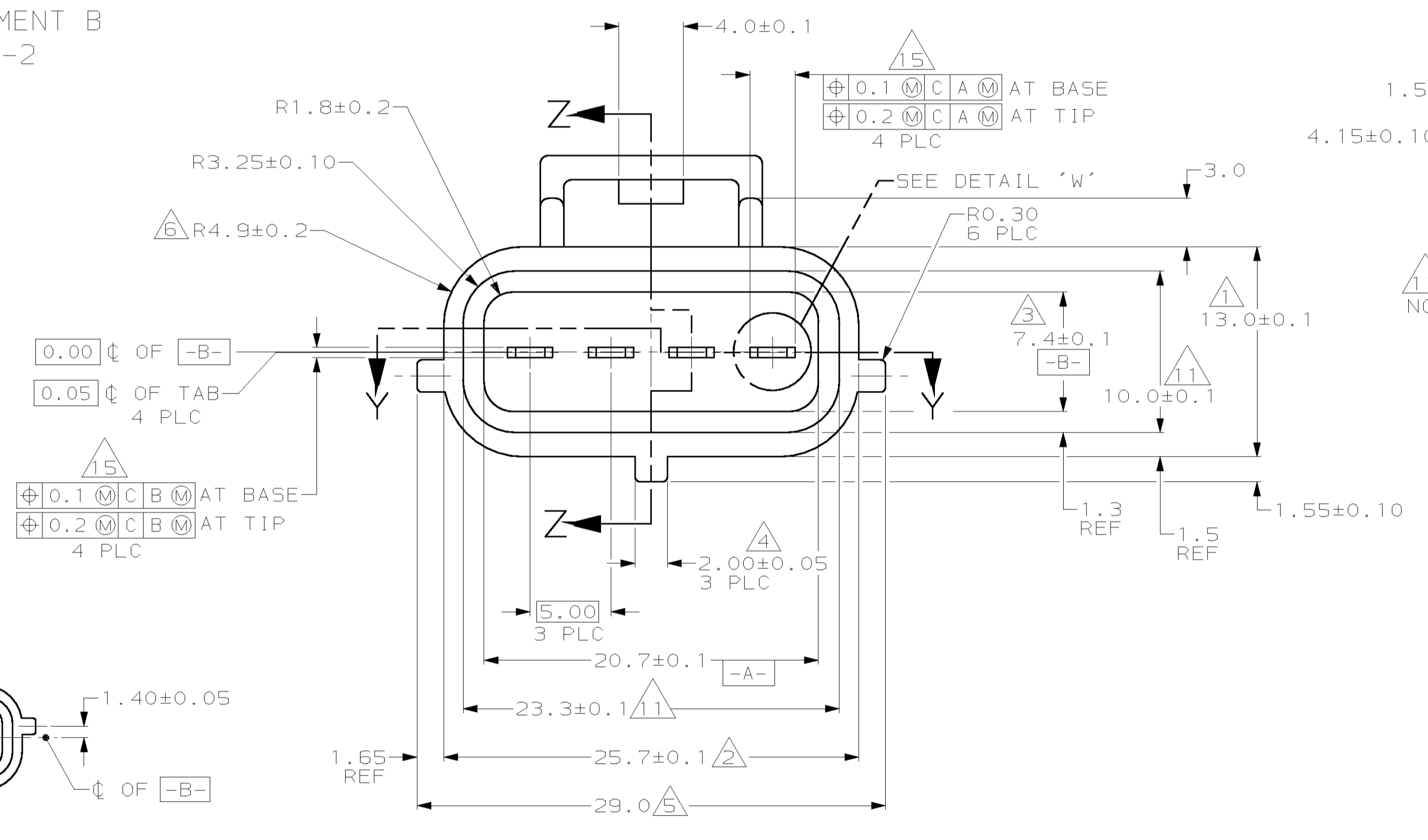


LOC		DIST		REVISIONS			
GE	00	YR		DESCRIPTION	DATE	DN	APVD
		0		RELEASED	04JUN99	PY	JK

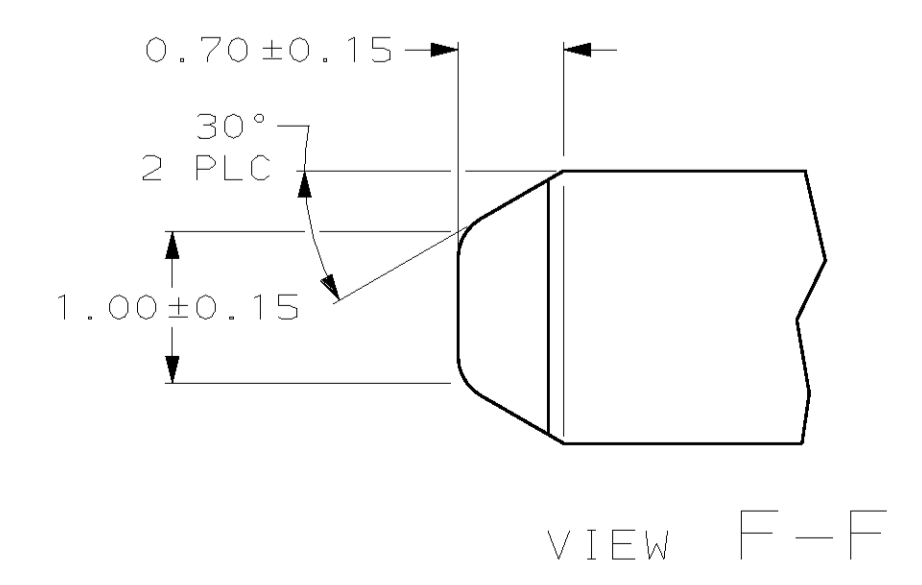
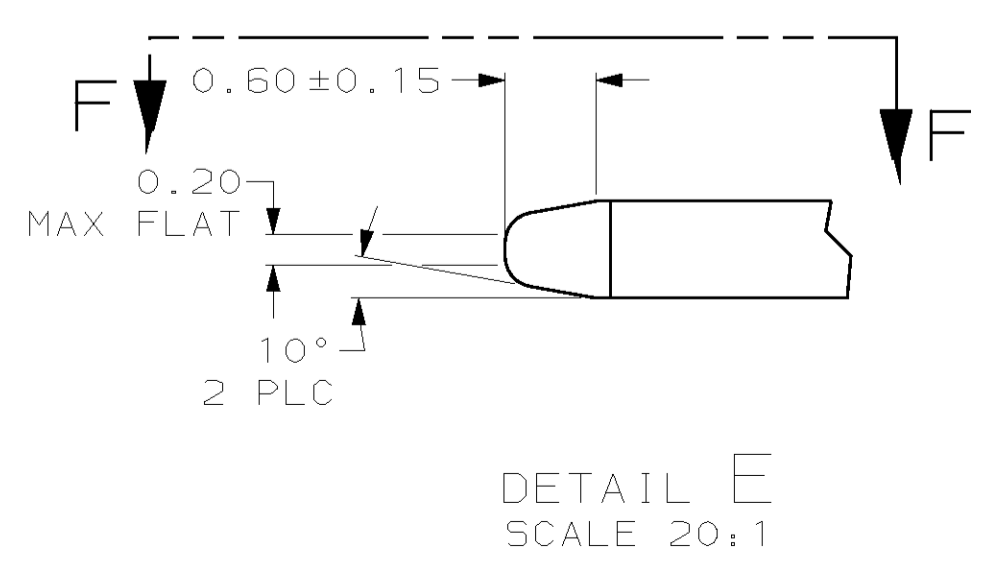
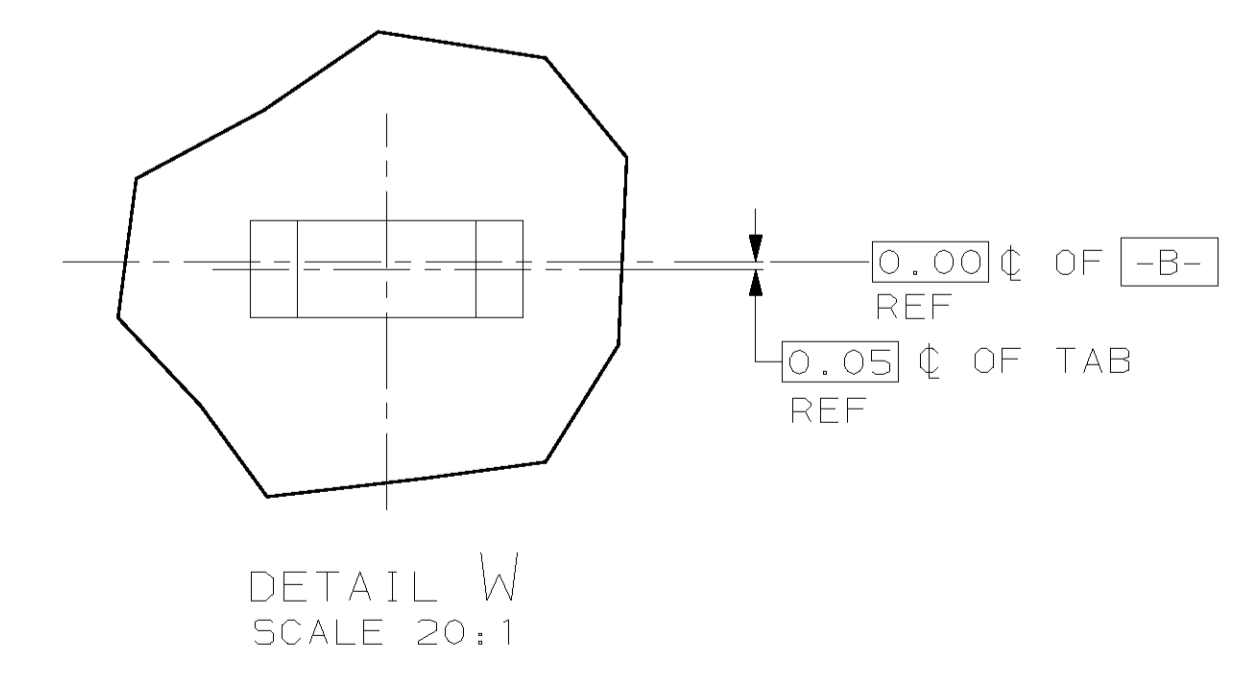


THIS DRAWING DEFINES THE DIMENSIONAL INTERFACE REQUIREMENTS NECESSARY FOR AN ELECTRICAL/MECHANICAL SENSOR DEVICE TO MATE WITH CONNECTOR PLUG ASSEMBLIES PROVIDED BY AMP INCORPORATED.

- 1 AT -D- 13.45 MAX AT -E-
- 2 AT -D- 26.15 MAX AT -E-
- 3 AT -C- 7.7 MAX AT -F-
- 4 AT -E- 1.6 MIN AT -C-
- 5 AT -D- 30.0 MAX AT -E-
- 6 AT -E- 4.5 MIN AT -C-
- 7 AT -E- 11.35 MAX AT -D-
- 8 AT -E- 13.25 MIN AT -D-
- 9. 1/2° MAX DRAFT ANGLE EXCEPT AS INDICATED
- 10. WARPAGE 0.1 MAX AND FLASH 0.15 MAX
- 11. SURFACE DEFECTS ARE NOT ACCEPTABLE AS FOLLOWS: TOOL LINES, WITNESS LINES, WELD LINES, HAIR CRACKS, STAINS AND SCORES.
- 12. ALL RADII ARE 0.5, EXCEPT AS INDICATED.
- 13. BURR FREE LEAD-IN TO PREVENT STUBBING OR SCRAPING.
- 14. FINISH: 0.0020 MIN THICK NICKEL UNDERPLATE WITH 0.00076 MIN THICK GOLD OR 0.0038/0.0076 THICK TIN IN MATING AREA WITH NO EXPOSED EDGES.
- 15. 0.640±0.025 THICK X 1.80±0.10 WIDE CONTACT, LOCATED AS SHOWN.
- 16. NO TOOL MARKS PERMITTED IN THIS AREA.



KEYING ARRANGEMENT "A" SHOWN



DESCRIPTION	PART NUMBER
AS SHOWN EXCEPT W/KEYING D	99-4072-038-4
AS SHOWN EXCEPT W/KEYING C	99-4072-038-3
AS SHOWN EXCEPT W/KEYING B	99-4072-038-2
AS SHOWN W/KEYING A	99-4072-038-1

DIMENSIONS:		TOLERANCES UNLESS OTHERWISE SPECIFIED:		MATERIAL:		FINISH:		WEIGHT:		CUSTOMER DRAWING:	
mm		0 PLC	+/-	APPROPRIATE MATERIAL FOR INDIVIDUAL APPLICATION							
		1 PLC	+/-0.15								
		2 PLC	+/-0.15								
		3 PLC	+/-								
		4 PLC	+/-								
		ANGLES	+/-1°								

OWN	DATE	AMP	AMP INCORPORATED
P. YEAGER	04JUN99		Harrisburg, PA 17105-3608
J. KUNKLE	10JAN99		
J. KUNKLE	10JUN99		

DESCRIPTION	PART NUMBER
INTERFACE DRAWING, 4 POSITION	
AMP SENSOR CONN., .070 SERIES	
SIZE	A1
CAGE CODE	00779
DRAWING NO	99-4072-038
SCALE	4:1
SHEET	11
REV	0

X-ON Electronics

Largest Supplier of Electrical and Electronic Components

Click to view similar products for [Automotive Connectors](#) category:

Click to view products by [TE Connectivity](#) manufacturer:

Other Similar products are found below :

[003-018-000](#) [60403001](#) [60993906-B](#) [M902-2131](#) [M902-2161](#) [M902-2344](#) [72.330.1035.1](#) [73.353.4028.0](#) [F119300-B](#) [F166900](#) [F258300-B](#)
[F358300-B](#) [F407400](#) [F444110](#) [F487000](#) [F509500B-B](#) [827153-1](#) [8N1515-32-24P](#) [9-1326729-8](#) [925474-1](#) [928905-1](#) [964562-4](#) [968782-1](#)
[GT17SA-8DS-HU](#) [98891-1012](#) [98947-1016](#) [12004147](#) [12004475-L](#) [12010290](#) [12015454](#) [12020219-B](#) [12041318-B](#) [12052225-L](#) [12052466](#)
[12064869](#) [12004327-B](#) [12015308](#) [12015384](#) [12015909](#) [1-21030-1](#) [12041254](#) [12041318](#) [12047946-B](#) [12047957](#) [12047957-L](#) [12059473](#)
[12066261](#) [12110546](#) [12110546-B](#) [12131792](#)