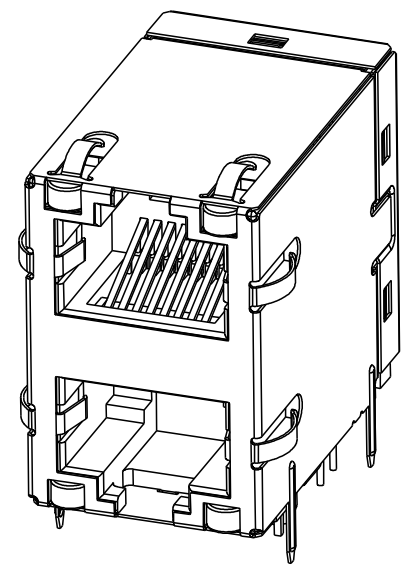
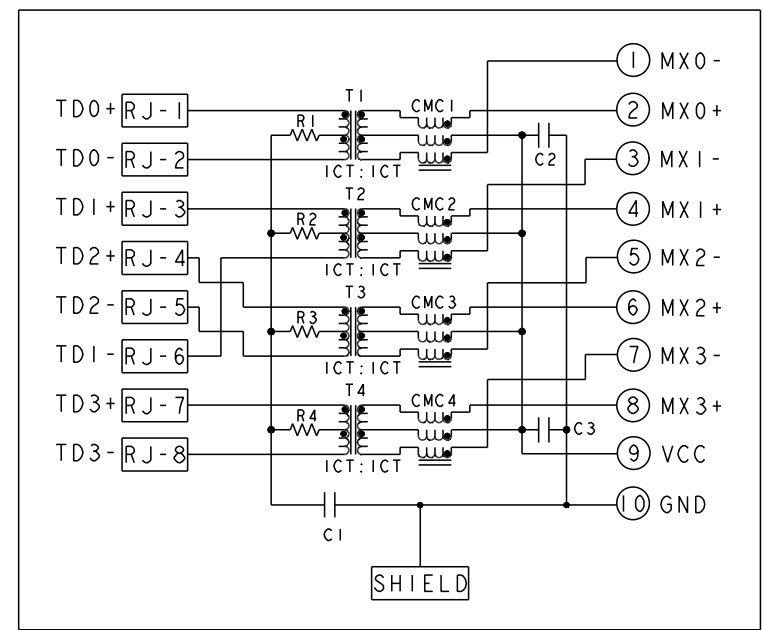


REVISITONS		DATE	OWN	APPD
A	ECO-11-024592	20DEC2011	TR	KZ
B	ECO-12-007986	19APR2012	TR	KZ
C	ECO-12-013643	17JUL2012	TR	KZ



S8G56 GIGABIT CIRCUIT
 TOP AND BOTTOM PORTS



C1 = 1000pF, 2kV CAPACITOR
 C2 - C3 = 10nF, 50V CAPACITORS
 R1-R4 = 75 Ohms, 1/16 W, RESISTORS

- MATERIALS:
 PLASTIC HOUSING: BLACK, THERMOPLASTIC FLAMMABILITY RATING UL 94V-0
 SHIELD: BRASS, PREPLATED WITH 0.76um MIN SEMI-BRIGHT NICKEL,
 POST DIPPED WITH 2.54um MIN SAC SOLDER ON SOLDER TAILS,
 CONTACTS: PHOSPHOR BRONZE, 1.27um MIN OVERALL NICKEL
 UNDERPLATE WITH SELECT 1.27um MIN GOLD AT MATING INTERFACE
 AND 2.54um MIN MATTE TIN ON SOLDER TAILS.
 LED: DIFFUSED EPOXY LENS, CARBON STEEL LEAD FRAME TAILS OF LED
 ARE PREPLATED WITH 2.03um MIN SILVER OVER 1.02um MIN NICKEL
 UNDERPLATE OVER 1.02um MIN COPPER UNDERPLATE. POST-PLATED WITH
 2.54um MIN MATTE TIN AND/OR SAC SOLDER DIP OR PURE TIN SOLDER DIP
 ALL PC BOARDS: HIGH TEMPERATURE PCB, TG>170°C
- MAGNETICS
 APPLICATION: 10/100/1000 BASE-T
 IMPEDANCE: 100 OHMS
 TURNS RATIO (CHIP:CABLE): 1:1 ALL FOUR PAIRS
 OPEN CIRCUIT INDUCTANCE (OCL): 350uH MIN @100kHz, 0.1VRMS,
 8mADC BIAS FROM 0°C TO 70°C, ALL FOUR PAIRS
 ALL FOUR PAIRS BI-DIRECTIONAL
 PERFORMANCE @ 25°C:
 INSERTION LOSS (IL): 1.1dB MAX FROM 0.5MHz TO 100MHz
 RETURN LOSS (RL): 18dB MIN FROM 0.5MHz TO 40MHz
 12-20LOG(f/80)dB MIN FROM 40.1MHz TO 100MHz
 CROSSTALK ATTENUATION: 35dB MIN FROM 0.5MHz TO 40MHz
 33-20LOG(f/50)dB MIN FROM 40.1MHz TO 100MHz
 COMMON MODE REJECTION RATIO (CMRR): 30dB MIN FROM 0.5MHz TO 100MHz
 ISOLATION VOLTAGE: 2250VDC (MAX) FOR 60 SECONDS WITH A RISE TIME OF 500V/SEC AND
 WITH ALL PORTS CONNECTED

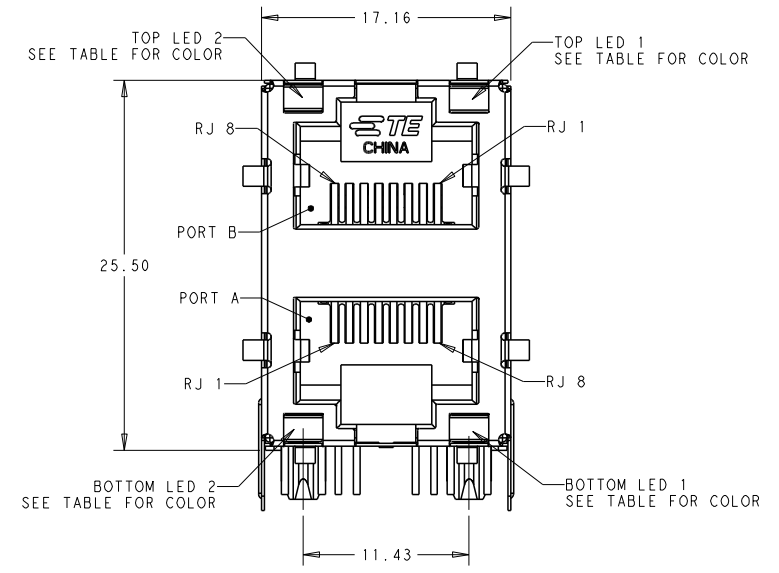
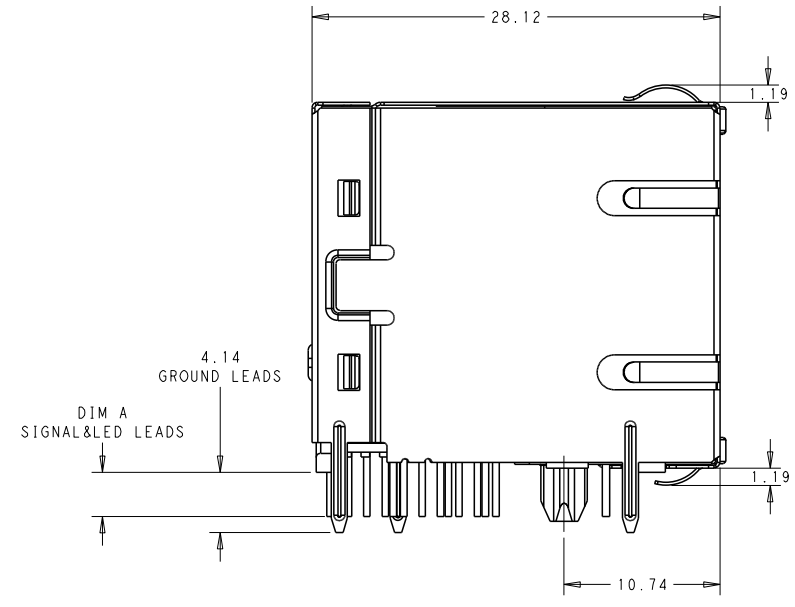
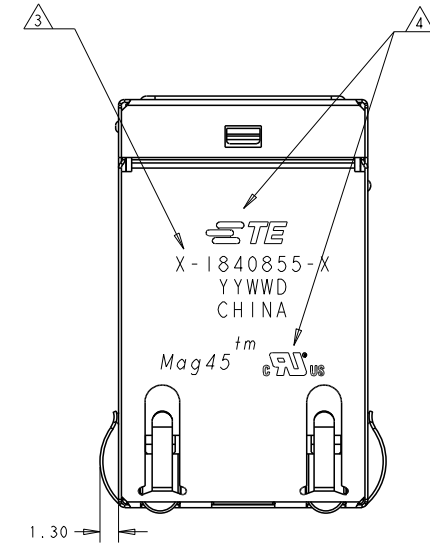
- PART NUMBER, DATE CODE AND COUNTRY OF ORIGIN ARE LOCATED
 IN APPROXIMATE AREA SHOWN. DATE CODE: "YY" IS YEAR, "WW" IS
 WORK WEEK, "D" IS DAY OF WEEK, WITH SUNDAY=1
- TE CONNECTIVITY LOGO AND AGENCY APPROVAL LOGO ARE
 LOCATED IN APPROXIMATE AREA SHOWN.
- OPERATING TEMP: FROM 0°C TO +70°C.
- RJ45 CAVITY CONFORMS TO FCC RULES AND REGULATION PART 68 SUBPART F.
- INDICATED MAGNETIC CONNECTIONS ARE SYMMETRICAL AND
 SUPPORT AUTO-MDI/MDIX.
- DATUM AND BASIC DIMENSION ESTABLISHED BY CUSTOMER.
- BASIC DIMENSION ESTABLISHED BY CUSTOMER, BUT MAY NOT BE
 GREATER THAN 5.08mm.
- LEDs ARE DRIVEN WITH CONSTANT CURRENT AT APPROX 20mA
 LED COLOR: DOMINANT WAVELENGTH (λD): GREEN 568 nm TYP. @ IF=20mA
 FORWARD VOLTAGE (VF): GREEN 2.2V TYP. @ IF=20mA
 DOMINANT WAVELENGTH (λD): YELLOW 588 nm TYP. @ IF=20mA
 FORWARD VOLTAGE (VF): YELLOW 2.1V TYP. @ IF=20mA
 DOMINANT WAVELENGTH (λD): ORANGE 605 nm TYP @ IF=20 mA
 FORWARD VOLTAGE (VF): ORANGE 2.1V TYP @ IF=20 mA
- THE PARTS ARE RECOMMENDED FOR WAVE SOLDERING PROCESS,
 PEAK TEMPERATURE 260°C MAX, 10 SECONDS MAX.

3.56	GREEN	GREEN	GREEN	GREEN	4-1840855-1
2.21	GREEN	GREEN	GREEN	GREEN	3-1840855-1
2.08	GREEN	YELLOW	GREEN	YELLOW	2-1840855-3
2.76	GREEN	GREEN	GREEN	GREEN	1-1840855-1
3.04	GREEN/ORANGE	GREEN/ORANGE	GREEN/ORANGE	GREEN/ORANGE	1840855-7
3.04	GREEN/YELLOW	GREEN	GREEN/YELLOW	GREEN	1840855-5
3.04	GREEN/YELLOW	GREEN/YELLOW	GREEN/YELLOW	GREEN/YELLOW	1840855-4
3.04	GREEN	YELLOW	GREEN	YELLOW	1840855-3
3.04	GREEN	GREEN	GREEN	GREEN	1840855-1
DIM A	BOTTOM LED 2	BOTTOM LED 1	TOP LED 2	TOP LED 1	PART NUMBER

THIS DRAWING IS A CONTROLLED DOCUMENT.

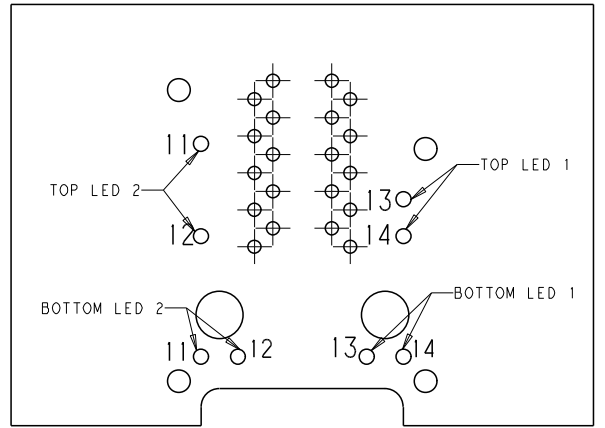
DIMENSIONS:	TOLERANCES UNLESS OTHERWISE SPECIFIED:	DATE: 16NOV2010	NAME:
mm	0 PLC ±	DRW: JAMISON CHEN/KO LI	TE Connectivity
	1 PLC ±	CHK: TONY TUAN	
	2 PLC ±0.25	DATE: 16NOV2010	
	3 PLC ±	APPRO: KEITH ZHU	
	4 PLC ±	PRODUCT SPEC	2X1 MAG45(TM), GIGABIT S8G56 CIRCUIT
	ANGLES	APPRO: 108-104004	GROUND SHIELD, WITH LEDS
	FINISH	APPLICATION SPEC	
MATERIAL:		WEIGHT	SIZE CASE CODE DRAWING NO
			A100779C=1840855
		CUSTOMER DRAWING	RESTRICTED TO
		SCALE 4	SHEET 1 OF 4
			REV C

LOC	QTY	REVISIONS			
P	LTN	DESCRIPTION	DATE	DWN	APPD
-	-	SEE SHEET 1	-	-	-

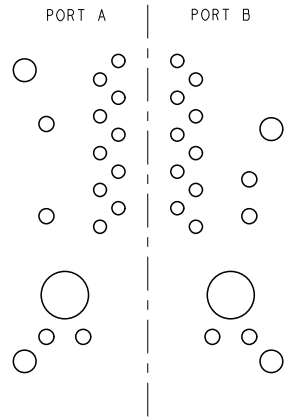


THIS DRAWING IS A CONTROLLED DOCUMENT.		DWN: JAMISON CHEN/16NOV2010 CHE: TONY TUAN/16NOV2010 APD: KEITH ZHU/16NOV2010	TE Connectivity
DIMENSIONS: mm 0 PLC ± 1 PLC ± 2 PLC ±0.25 3 PLC ± 4 PLC ± ANGLES ±	TOLERANCES UNLESS OTHERWISE SPECIFIED: 0 PLC ± 1 PLC ± 2 PLC ±0.25 3 PLC ± 4 PLC ± ANGLES ±	NAME: TONY TUAN PRODUCT SPEC: 108-104004 APPLICATION SPEC:	NAME: 2X1 MAG45(TM), GIGABIT S8G56 CIRCUIT GROUND SHIELD, WITH LEDS SIZE: A CASE CODE: 00779 DRAWING NO: 1840855
MATERIAL:	FINISH:	WEIGHT:	RESTRICTED TO:
		CUSTOMER DRAWING	SCALE: 4 SHEET 2 OF 4 REV C

LOC	QTY	REVISIONS			
P	LTN	DESCRIPTION	DATE	OWN	APPD
-	-	SEE SHEET 1	-	-	-

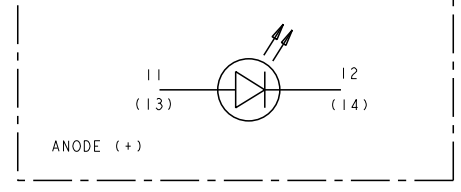


LED HOLE DESIGNATIONS
VIEWED FROM COMPONENT SIDE

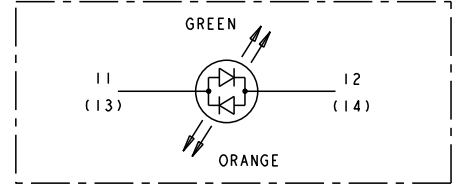


PORT ASSIGNMENT
COMPONENT SIDE VIEW

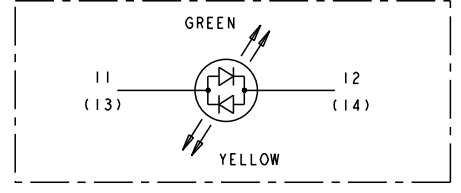
SINGLE COLOR LED



BI-COLOR LED



BI-COLOR LED



THIS DRAWING IS A CONTROLLED DOCUMENT.		OWN: JAMISON CHEN/NOV2010	TE Connectivity	
DIMENSIONS: mm		CHK: TONY TUAN	NAME: 2X1 MAG45(TM), GIGABIT S8G56 CIRCUIT GROUND SHIELD, WITH LEDS	
TOLERANCES UNLESS OTHERWISE SPECIFIED:		APPRO: KEITH ZHU	PRODUCT SPEC: 108-104004	
0 PLC ±	1 PLC ±	2 PLC ±0.25	3 PLC ±	4 PLC ±
ANGLES ±	FINISH		WEIGHT	RESTRICTED TO
MATERIAL	CUSTOMER DRAWING		SCALE: 4	SHEET: 4 OF 4
SIZE: A1		CAGE CODE: 00779	DRAWING NO: 1840855	REV: C

X-ON Electronics

Largest Supplier of Electrical and Electronic Components

Click to view similar products for [TE Connectivity](#) manufacturer:

Other Similar products are found below :

[570416-000](#) [CLTEQ-M81CE-SSRELAY-4-20V](#) [461065-2](#) [SMD100-2](#) [8-1393148-3](#) [RP110048](#) [1-822473-1](#) [RJ45-8L2-S](#) [RM707012](#)
[TSPD11CGWW004](#) [322128](#) [4-1393138-8](#) [1-1571990-4](#) [4-176756-8](#) [RJ45-8N3-B](#) [5-6609208-9](#) [8-1419118-3](#) [749206-1](#) [1393147-2](#)
[RM202615](#) [2-640379-2](#) [222S163-25S-0](#) [V23057B6A401](#) [5-1437490-9](#) [MS27467T21B11JA](#) [MS27467T21F11J](#) [7022X3H](#) [DTS26F21-41PE-](#)
[LC](#) [DJT16E21-11JA](#) [DTS26F21-11SE-3028-LC](#) [AFD50-16-23SN-6116-LC](#) [6-1393146-9](#) [DTS26W21-41PD-LC](#) [DTS26W21-41HD-LC](#)
[DTS26W21-41HD](#) [DTS26W21-41AD](#) [603995-1](#) [DTS26W21-16SD-3028-LC](#) [6-1393146-6](#) [MMS42](#) [DTS20F23-21SB](#) [D38999/26WH21SB](#)
[D38999/32Z15N](#) [D38999/20FH21SE](#) [D38999/24WH21SB](#) [D38999/24FH21SB](#) [842723N001](#) [213904-1](#) [D38999/20FJ24SB-LC](#) [DTS20W09-](#)
[98PB](#)