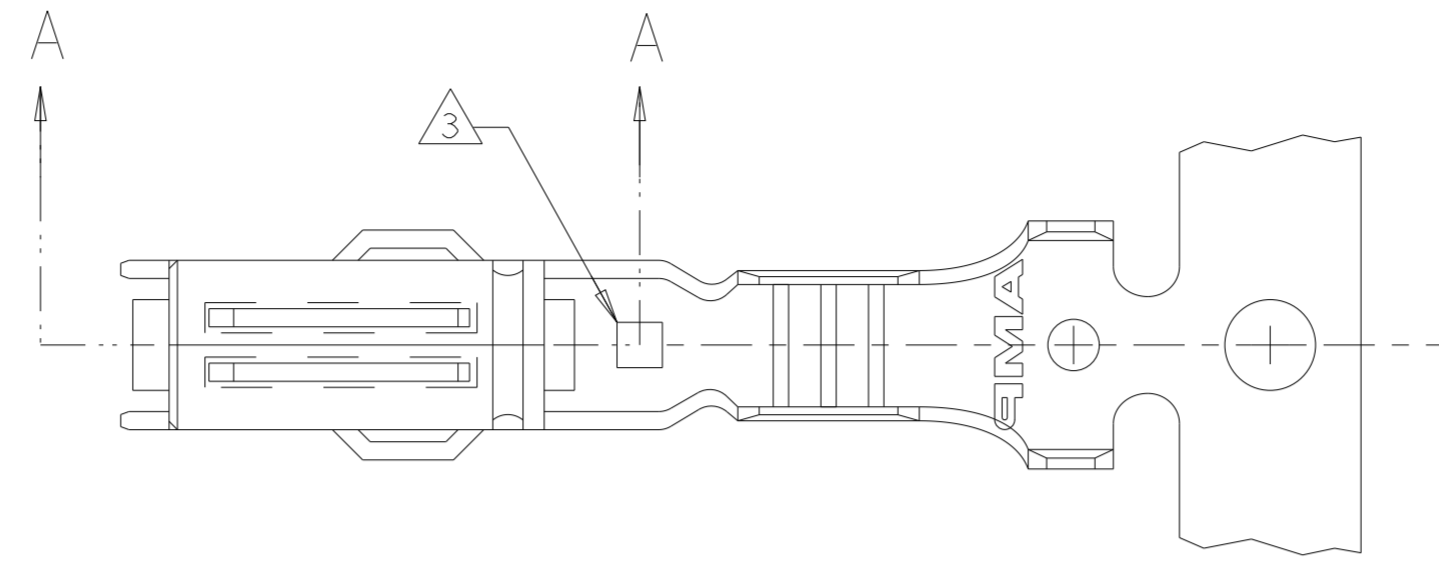
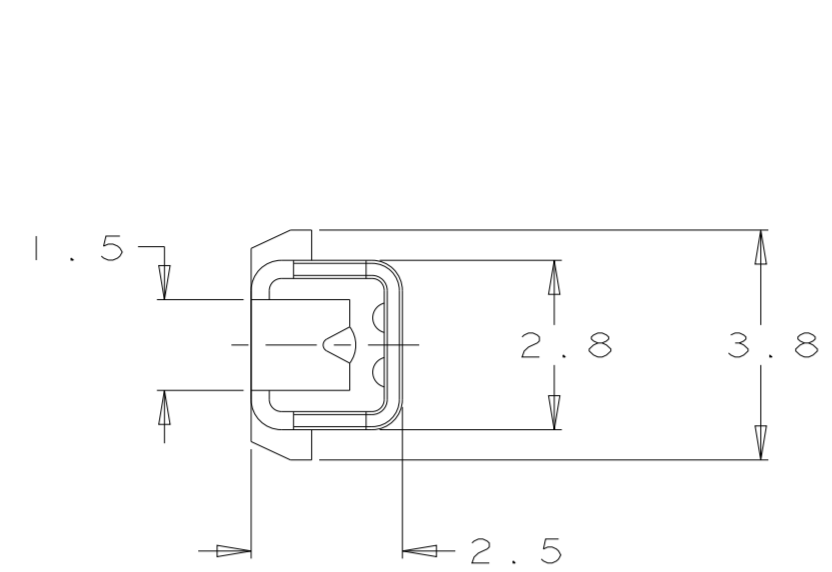


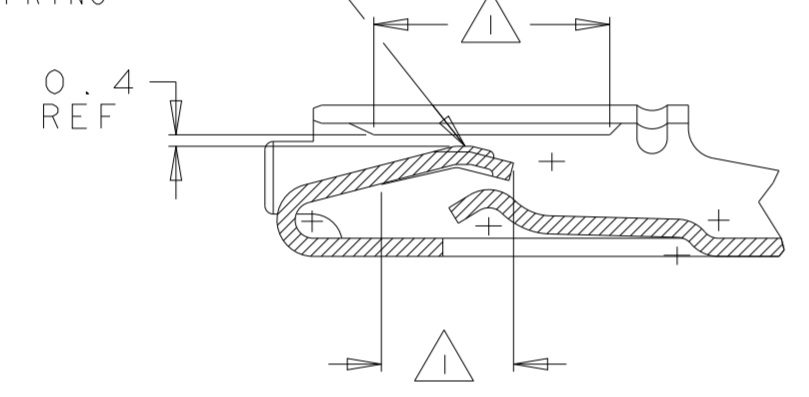
THIS DRAWING IS UNPUBLISHED. RELEASED FOR PUBLICATION  
 © COPYRIGHT - BY - ALL RIGHTS RESERVED.

REVISIONS				
P	LTR	DESCRIPTION	DATE	APVD
H5		REVISED PER ECO-16-011163	08SEP2016	DD AH
H6		REVISED PER ECO-17-014752	10OCT2017	JMS AH
U		REVISED PER ECO-21-002133	15APR2021	SM AH

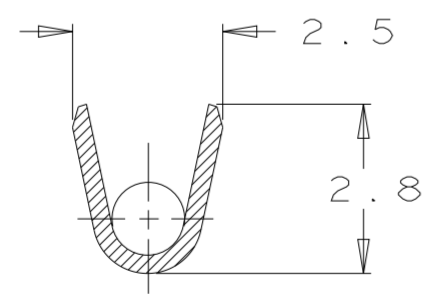
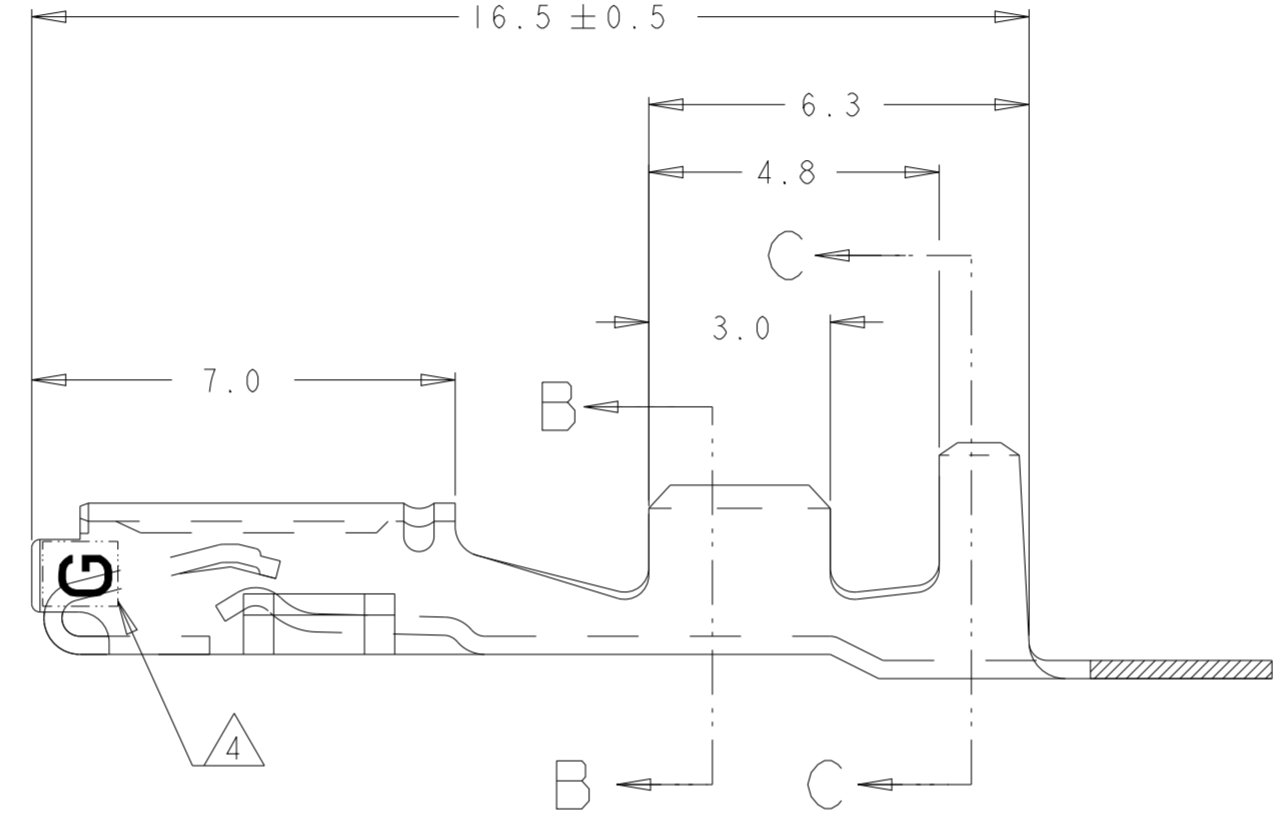


- ① 0.00076 MINIMUM THICK GOLD PLATE OVER 0.0013 MINIMUM NICKEL PLATE.
- ② 0.0008 MINIMUM THICK PRE-TIN.
- ③ 0.75 x 0.75 DIE IDENTIFICATION MARK.
- ④ FOR GOLD PLATED PART ONLY - AT LEAST ONE "G" INDICATOR MUST BE VISIBLE IN THIS LOCATION ON EITHER SIDE INDICATING GOLD PLATED CONTACT

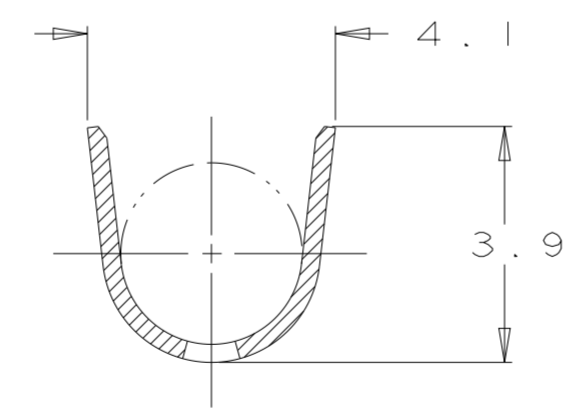
GOLD PLATING IDENTIFIED IS ON TOP SPRING



SECTION A-A



SECTION B-B



SECTION C-C

②	1.2-2.1 (SINGLE WIRE SEALING)	AVS 0.3 - 1.00mm <sup>2</sup>	184095-2
①	1.2-2.1 (SINGLE WIRE SEALING)	AVS 0.3 - 1.00mm <sup>2</sup>	184095-1
FINISH	INSULATION DIA	WIRE RANGE	PART NUMBER

THIS DRAWING IS A CONTROLLED DOCUMENT.

DIMENSIONS: mm	TOLERANCES UNLESS OTHERWISE SPECIFIED:	DWN: KD LYLE 9/20/94	TE Connectivity CONTACT, RECEPTACLE, .070 TYPE (SCAT VERSION)
		CHK: JP KUNKLE 9/23/94	
		APVD: JP KUNKLE 10/21/94	
		PRODUCT SPEC	
MATERIAL: PHOS BRZ (0.3 THK)		APPLICATION SPEC	RESTRICTED TO
		WEIGHT	SIZE: A2 CAGE CODE: 00779 DRAWING NO: C-184095
		CUSTOMER DRAWING	SCALE: 10:1 SHEET 1 OF 1 REV U

## X-ON Electronics

Largest Supplier of Electrical and Electronic Components

*Click to view similar products for [Automotive Connectors](#) category:*

*Click to view products by [TE Connectivity](#) manufacturer:*

Other Similar products are found below :

[003-018-000](#) [60403001](#) [60993906-B](#) [M902-2131](#) [M902-2161](#) [M902-2344](#) [72.330.1035.1](#) [73.353.4028.0](#) [F119300-B](#) [F166900](#) [F258300-B](#)  
[F358300-B](#) [F407400](#) [F444110](#) [F487000](#) [F509500B-B](#) [827153-1](#) [8N1515-32-24P](#) [9-1326729-8](#) [925474-1](#) [928905-1](#) [964562-4](#) [968782-1](#)  
[GT17SA-8DS-HU](#) [98891-1012](#) [98947-1016](#) [12004147](#) [12004475-L](#) [12010290](#) [12010309-B](#) [12015454](#) [12020219-B](#) [12041318-B](#) [12052225-](#)  
[L](#) [12052466](#) [12064869](#) [12004327-B](#) [12015308](#) [12015384](#) [12015909](#) [1-21030-1](#) [12041254](#) [12041318](#) [12047946-B](#) [12047957](#) [12047957-L](#)  
[12059473](#) [12066261](#) [12110546](#) [12110546-B](#)