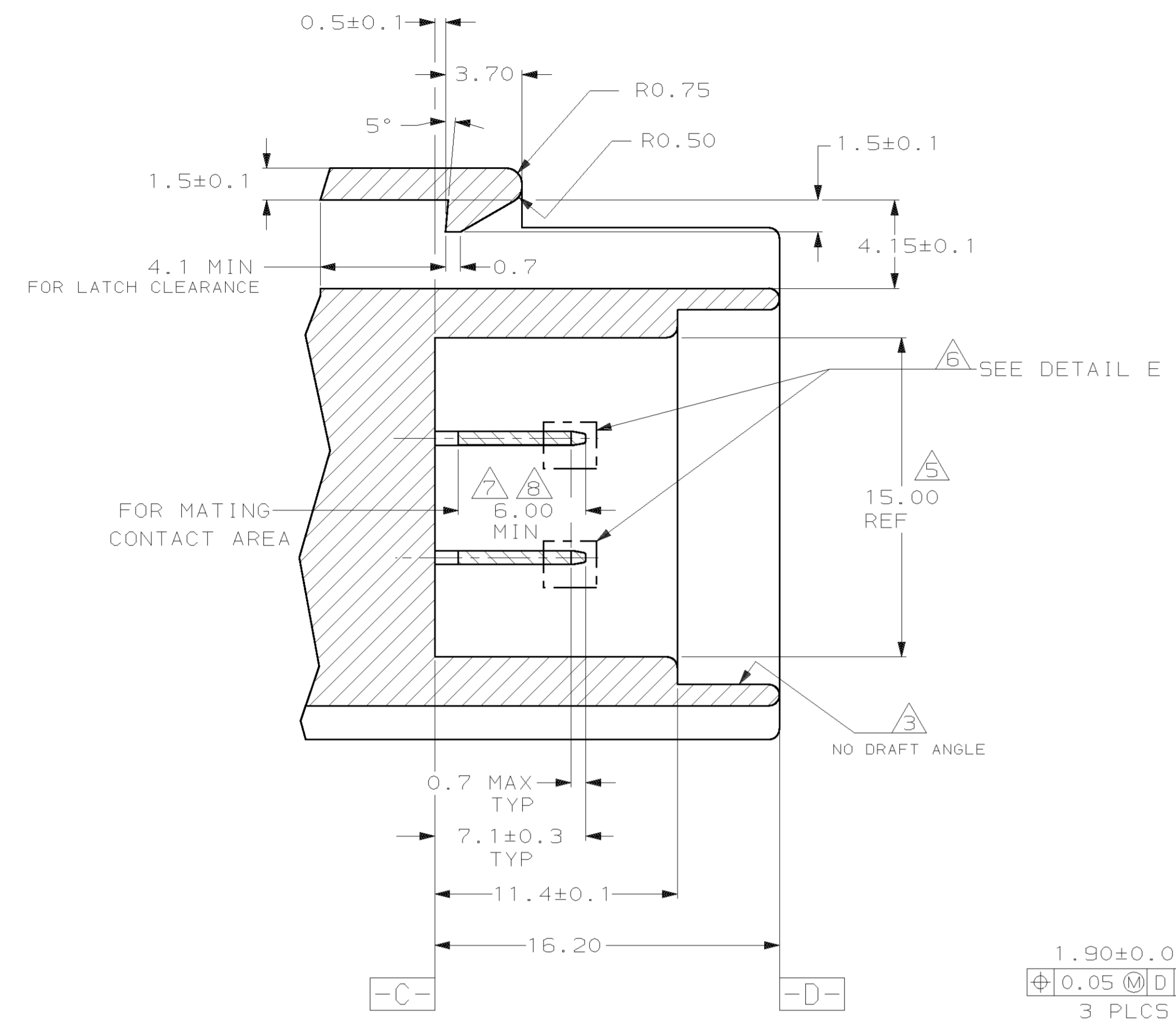
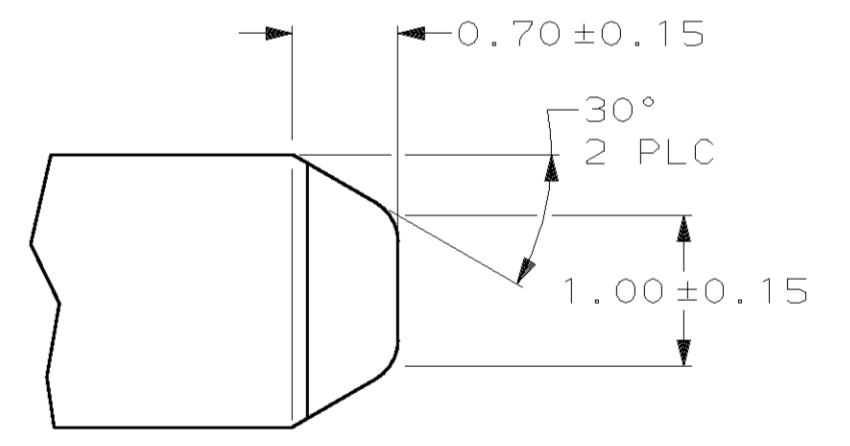
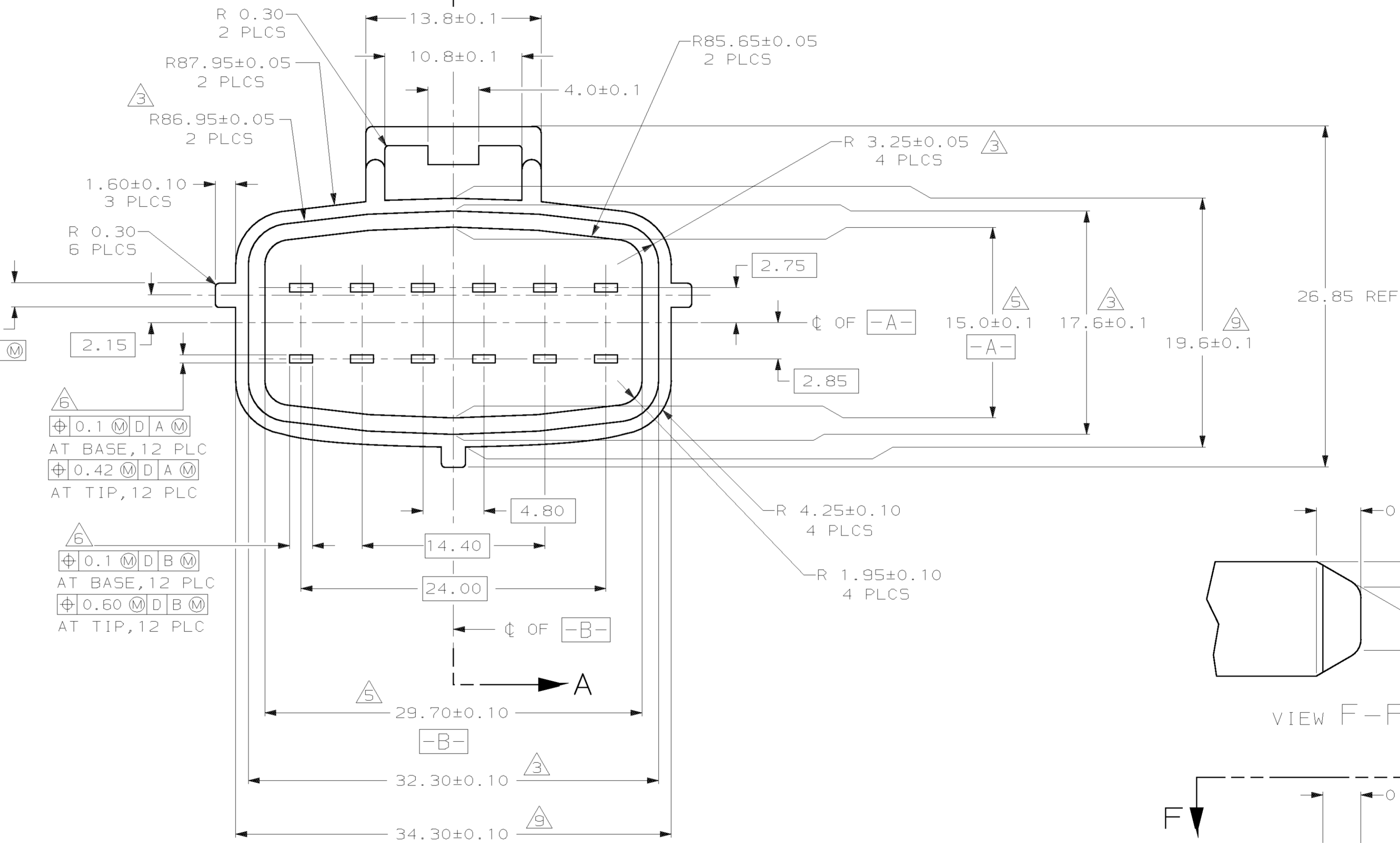
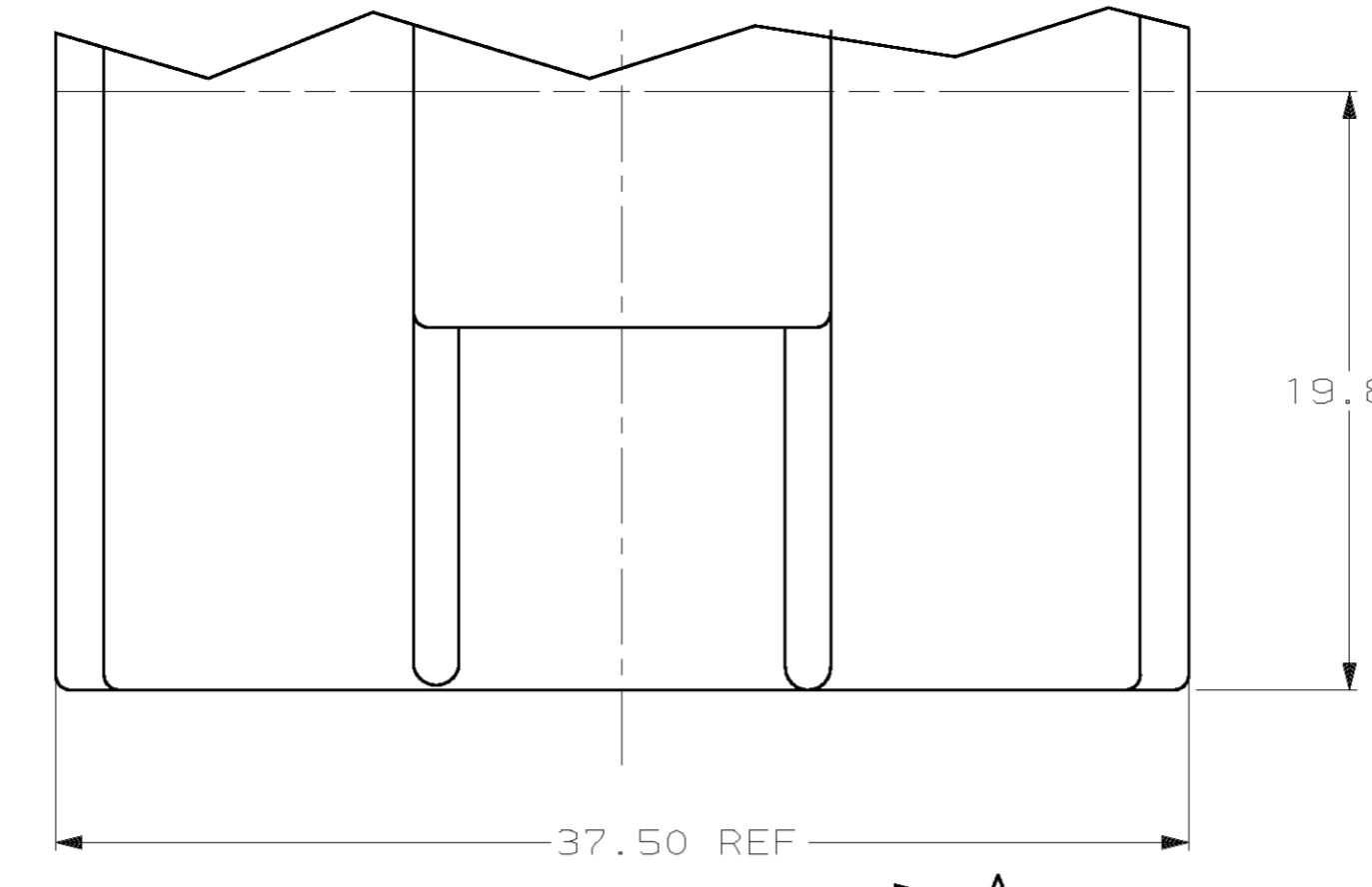


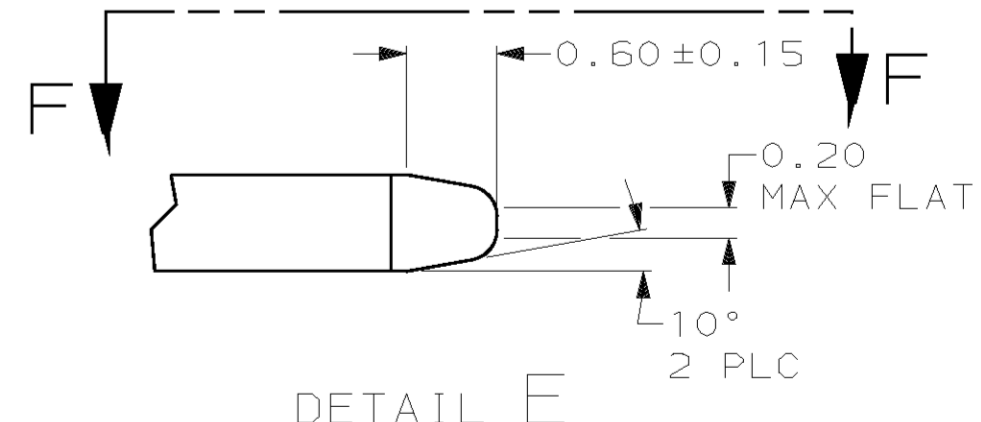
LOC	DIST	P	F	ZONE	LTR	REVISIONS	DATE	APPD
G	00							
						0		INITIAL RELEASE
						A	02/12/97	0.00070 WAS 0.00127
						B	05/08/98	REV PER ECN 98-4072-025



SECTION A-A  
SCALE 5:1



VIEW F-F



DETAIL E  
SCALE 20:1

- NOTES
- 1.2° MAX DRAFT ANGLE, EXCEPT AS INDICATED.
  - WARPAGE 0.10 MAX, FLASH 0.15 MAX.
  - SURFACE DEFECTS ARE NOT ACCEPTABLE AS FOLLOWS: HAIRCRACKS, STAINS, SCORES, TOOL LINES AND WITNESS LINES.
  - ALL RADII ARE 0.50, EXCEPT AS INDICATED.
  - DIMENSION TO BE MAINTAINED OVER 3.00 LENGTH FROM -C- TOWARDS -D-.
  - 0.640±0.025 THICK X 1.8±0.1 WIDE CONTACTS LOCATED AS SHOWN, 12 PLACES. BURR FREE LEAD-IN TO PREVENT STUBBING OR SCRAPING.
  - FINISH: 0.0020 MIN THICK NICKEL UNDERPLATE WITH EITHER 0.00076 MIN THICK GOLD OR 0.0038/0.0076 THICK TIN IN MATING AREA WITH NO EXPOSED EDGES.
  - NO TOOL MARKS IN THIS AREA.
  - DIMENSION TO BE MAINTAINED OVER 2.00 LENGTH FROM -D- TOWARDS -C-.

THIS DRAWING DEFINES THE DIMENSIONAL INTERFACE REQUIREMENTS NECESSARY FOR DEVELOPING AN INSERT MOLDED CONNECTION TO MATE WITH SEALED PLUG CONNECTORS PROVIDED BY AMP INCORPORATED.

THIS DRAWING IS A CONTROLLED DOCUMENT FOR AMP INCORPORATED. IT IS SUBJECT TO CHANGE AND THE CONTROLLING ENGINEERING ORGANIZATION SHOULD BE CONTACTED FOR THE LATEST REVISION.

DO NOT SCALE PRINT. UNLESS SPECIFIED DIMENSIONS IN mm TOLERANCES - ON : 2 PLC DEC ± 0.15 3 PLC DEC ± - ANGLES ± 1°		DR 1/4/94 KD LYTLE		93-4072-006-1 PART NO	
APPROPRIATE MATERIAL FOR INDIVIDUAL APPLICATION		CHK 1/8/94 JP KUNKLE		AMP AMP Incorporated Harrisburg, PA 17105-3608	
FINISH		APPD -		NAME INTERFACE DRAWING, 12 POSITION, E-J II+ CONNECTOR	
APPD -		PRODUCT SPEC -		SIZE D	
APPLICATION SPEC -		APPD -		CAGE CODE 00779	
WEIGHT -		APPD -		DRAWING NO C-93-4072-006	
SCALE 4:1		APPD -		SHEET 1 OF 1	

## X-ON Electronics

Largest Supplier of Electrical and Electronic Components

*Click to view similar products for [Automotive Connectors](#) category:*

*Click to view products by [TE Connectivity](#) manufacturer:*

Other Similar products are found below :

[003-018-000](#) [60403001](#) [60993906-B](#) [M902-2131](#) [M902-2161](#) [72.330.1035.1](#) [73.353.4028.0](#) [F119300-B](#) [F166900](#) [F258300-B](#) [F358300-B](#)  
[F407400](#) [F444110](#) [F487000](#) [F509500B-B](#) [827153-1](#) [8N1515-32-24P](#) [9-1326729-8](#) [925474-1](#) [928905-1](#) [964562-4](#) [968782-1](#) [GT17SA-8DS-](#)  
[HU](#) [98891-1012](#) [98947-1016](#) [12004147](#) [12004475-L](#) [12010290](#) [12010309-B](#) [12015454](#) [12020219-B](#) [12020308](#) [12041318-B](#) [12052225-L](#)  
[12052466](#) [12059125](#) [12064869](#) [12004327-B](#) [12010503-B](#) [12015308](#) [12015384](#) [12015909](#) [1-21030-1](#) [12041254](#) [12041318](#) [12047946-B](#)  
[12047957](#) [12047957-L](#) [12059473](#) [12066261](#)