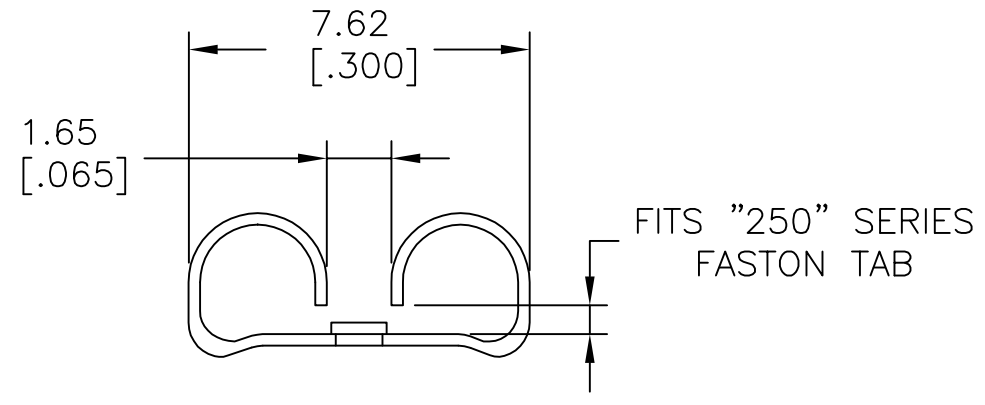
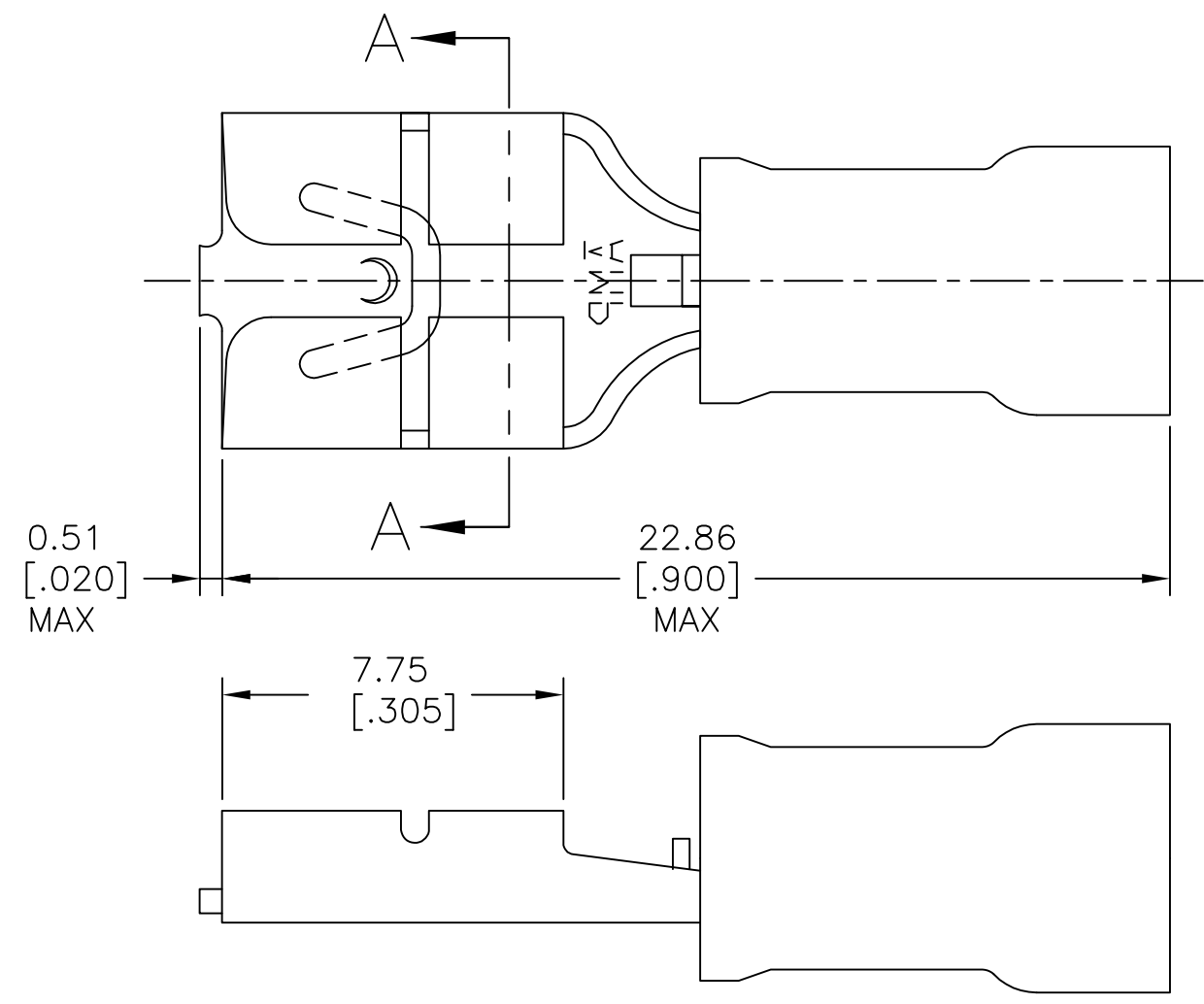


REVISIONS					
P	LTR	DESCRIPTION	DATE	DWN	APVD
	O	REL PER 96-1164-005	10JUN96	LO	BB
	A	REVISED PER ECO-17-002887	31AUG2017	RS	DR



- 1 INSULATION $\phi 3.43$ [$\phi .135$] MAX.
- 2 FITS TAB 0.81 [$.032$] THK.
- 3 MATERIAL:
 BODY : BRASS PER ASTM B36, 0.46 ± 0.05 [$.018 \pm .002$].
 SLEEVE : COPPER PER ASTM B152.
 INSULATION : NYLON PER ASTM D4066.
- 4 FINISH:
 BODY & SLEEVE : TIN PLATE 0.00254 [$.000100$] MIN. EXT. THK PER ASTM B545.

-	LOOSE PIECE	184262-1
QTY	PACKAGE TYPE	PART NO

AMP INCORPORATED CUSTOMER SERVICE SYSTEM		MAX RECOMMENDED OPERATING TEMPERATURE: -	THIS DRAWING IS A CONTROLLED DOCUMENT.		DWN L OLMEDA 29MAY96	TE Connectivity RECEPTACLE, 250 SERIES, LOW INSERTION FORCE, FASTON™, PIDG™, WIRE SIZE, 22-18 AWG					
FOR ADDITIONAL PRODUCT INFORMATION OR COPIES OF DRAWINGS AND TECHNICAL DOCUMENTS	PRODUCT INFORMATION CENTER 1-800-522-6752	VOLTAGE RATING: -	DIMENSIONS: mm [INCHES]	TOLERANCES UNLESS OTHERWISE SPECIFIED: 0 PLC ± - 1 PLC ± - 2 PLC ± 0.38 [.015] 3 PLC ± - 4 PLC ± - ANGLES ± -	CHK M ELLIS 29MAY96					APVD B BARE 29MAY96	NAME
FOR APPLICATION TOOLING INFORMATION	TOOLING ASSISTANCE CENTER 1-800-722-1111	CIRCULAR MIL AREA: -			APPLICATION SPEC 114-1002	WEIGHT -	A3	00779	C=184262		
FOR ORDER ENTRY	1-800-526-5142		MATERIAL 3	FINISH 4	CUSTOMER DRAWING		SCALE 6:1	SHEET 1 OF 1	REV A		

X-ON Electronics

Largest Supplier of Electrical and Electronic Components

Click to view similar products for [Terminals](#) category:

Click to view products by [TE Connectivity](#) manufacturer:

Other Similar products are found below :

[00-054007-01074-6](#) [00-054007-70206-1](#) [00-054007-70210-8](#) [00-054007-70217-7](#) [00-054007-70226-9](#) [00-054007-70228-3](#) [00-054007-70248-1](#) [00-054007-70256-6](#) [00-054007-70301-3](#) [00-054007-70316-7](#) [00-054007-49560-4](#) [00-054007-70209-2](#) [00-054007-70225-2](#) [00-054007-70227-6](#) [00-054007-70231-3](#) [00-054007-70241-2](#) [00-054007-70242-9](#) [00-054007-70244-3](#) [00-054007-70246-7](#) [00-054007-70263-4](#) [00-054007-70288-7](#) [00-054007-70290-0](#) [00-054007-70300-6](#) [00-054007-70304-4](#) [01-2065-1-0216](#) [01-2900-1-04412](#) [00581P0075](#) [600TS-10](#) [60205-1](#) [604200-1](#) [605601-1](#) [60598-1-CUT-TAPE](#) [61314-6-C](#) [61810-3](#) [61-S](#) [61-SN](#) [626-0194](#) [62-NBM-A](#) [62-SN](#) [62-SP](#) [63-S](#) [640179-1](#) [M55155/059I03](#) [M55155/079C01](#) [M55155/099H02](#) [M55155/109H01](#) [M55155/109H02](#) [M55155/12XH05](#) [M55155/16XH02](#) [M55155/29-5S](#)