

4

3

2

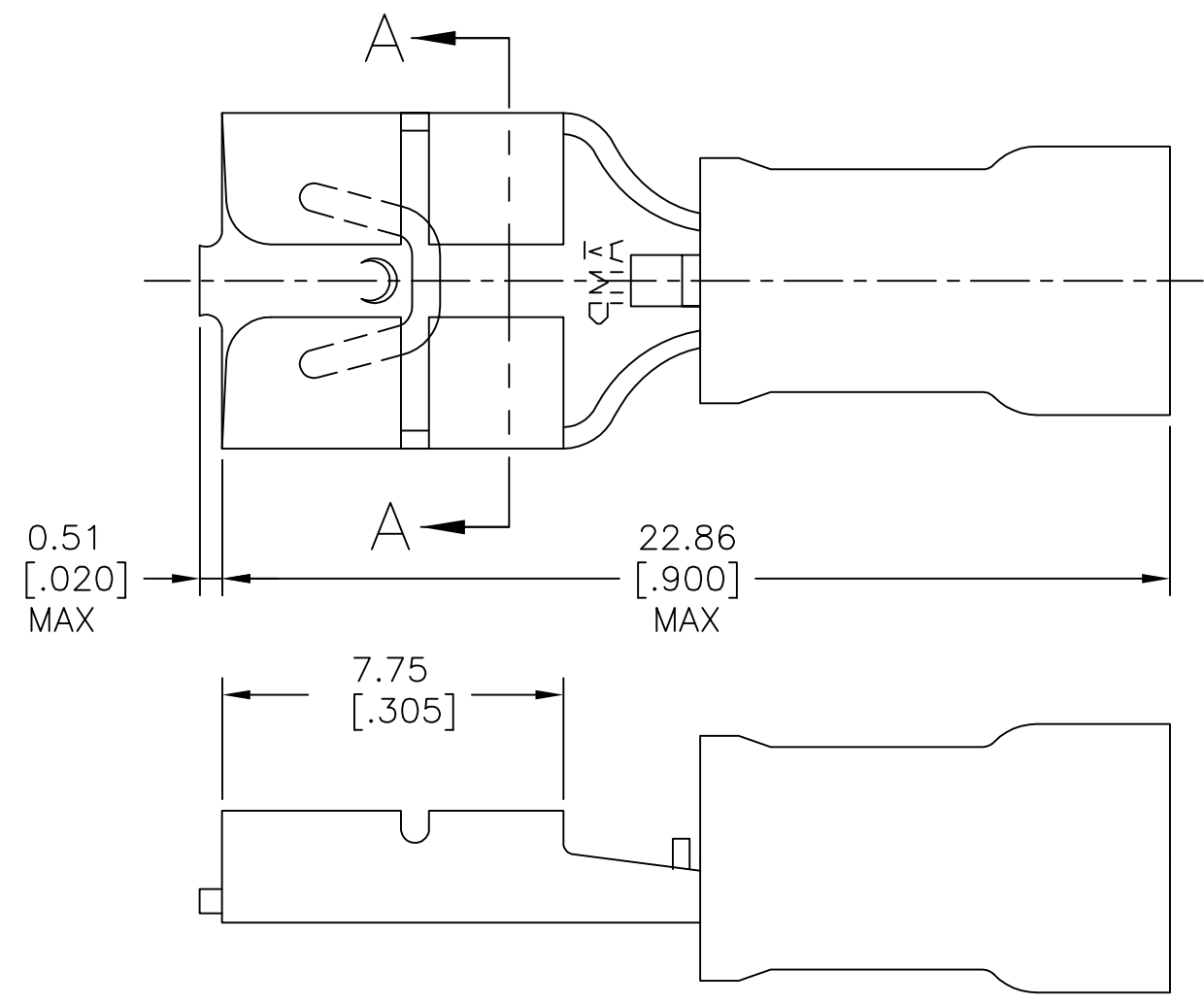
1

THIS DRAWING IS UNPUBLISHED. RELEASED FOR PUBLICATION -,- -

© COPYRIGHT - TE Connectivity ALL RIGHTS RESERVED.

| REVISIONS | | | | | |
|-----------|-----|---------------------------|-----------|-----|------|
| P | LTR | DESCRIPTION | DATE | DWN | APVD |
| | O | REL PER 96-1164-005 | 10JUN96 | LO | BB |
| | A | REVISED PER ECO-17-002887 | 31AUG2017 | RS | DR |

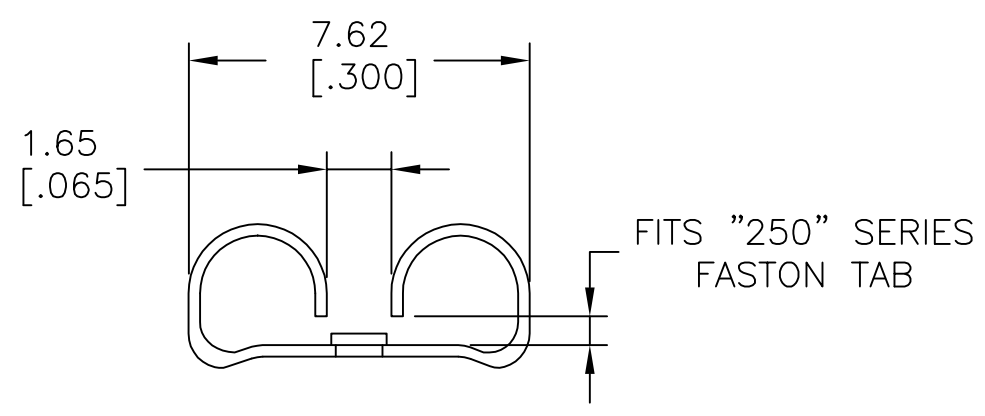
D



- 1 INSULATION ϕ 3.43 [ϕ .135] MAX.
- 2 FITS TAB 0.81 [.032] THK.
- △3 MATERIAL:
 BODY : BRASS PER ASTM B36, 0.46 ± 0.05 [0.018 ± 0.002].
 SLEEVE : COPPER PER ASTM B152.
 INSULATION : NYLON PER ASTM D4066.
- △4 FINISH:
 BODY & SLEEVE : TIN PLATE 0.00254 [0.000100] MIN. EXT. THK PER ASTM B545.

C

B



| | | |
|-----|--------------|----------|
| - | LOOSE PIECE | 184262-1 |
| QTY | PACKAGE TYPE | PART NO |

A

| | | | | | | | | | |
|--|--|---|--|---|------------------------------|---|--------------------|------------------------|--------------------|
| AMP INCORPORATED CUSTOMER SERVICE SYSTEM | | MAX RECOMMENDED OPERATING TEMPERATURE: - | THIS DRAWING IS A CONTROLLED DOCUMENT. | | DWN L OLMEDA 29MAY96 | TE Connectivity | | | |
| FOR ADDITIONAL PRODUCT INFORMATION OR COPIES OF DRAWINGS AND TECHNICAL DOCUMENTS | PRODUCT INFORMATION CENTER 1-800-522-6752 | VOLTAGE RATING: - | DIMENSIONS: mm [INCHES] | TOLERANCES UNLESS OTHERWISE SPECIFIED: 0 PLC ± - 1 PLC ± - 2 PLC ± 0.38 [.015] 3 PLC ± - 4 PLC ± - ANGLES ± - | CHK M ELLIS 29MAY96 | | | | |
| FOR APPLICATION TOOLING INFORMATION | TOOLING ASSISTANCE CENTER 1-800-722-1111 | CIRCULAR MIL AREA: - | | | APVD B BARE 29MAY96 | RECEPTACLE, 250 SERIES, LOW INSERTION FORCE, FASTON™, PIDG™, WIRE SIZE, 22-18 AWG | | | |
| FOR ORDER ENTRY | 1-800-526-5142 | | MATERIAL △3 | FINISH △4 | APPLICATION SPEC 114-1002 | SIZE A3 | CAGE CODE 00779 | DRAWING NO C=184262 | RESTRICTED TO - |
| CUSTOMER DRAWING | | | | | | SCALE 6:1 | SHEET 1 OF 1 | REV A | |

X-ON Electronics

Largest Supplier of Electrical and Electronic Components

Click to view similar products for [Terminals](#) category:

Click to view products by [TE Connectivity](#) manufacturer:

Other Similar products are found below :

[HT-13-10](#) [71M-250-32-NB](#) [01-2065-1-0216](#) [00581P0075](#) [M10-10RX](#) [M10BCK](#) [60205-1](#) [604200-1](#) [60598-1-CUT-TAPE](#) [60617-1-C](#) [60873-1](#) [M14-516R/SK](#) [M14-6RSX](#) [M18-8FBX](#) [M18-8R/LX](#) [M18BCK](#) [61314-6-C](#) [61-S](#) [61-SN-A](#) [62-NBM-A](#) [63-S](#) [640179-1](#) [640917-2-CUT-TAPE](#) [6501550002](#) [66107-2-C](#) [696683-1](#) [696834-1](#) [696861-1](#) [696931-1](#) [696999-1](#) [M8-516RK](#) [M86700006](#) [MA250DMFMX-A](#) [701-2007](#) [701-2307](#) [701-7761-03](#) [70F-110-32-PB](#) [718-N-A](#) [71M-187-20-NBL](#) [71M-250-32-NBL](#) [72F-187-20-NBL](#) [72M-250-32-NBL](#) [7310](#) [73F-250-32](#) [73F-250-32-NL](#) [F14-10C](#) [F-1M](#) [751-250](#) [76650-5002](#) [76828-149](#)