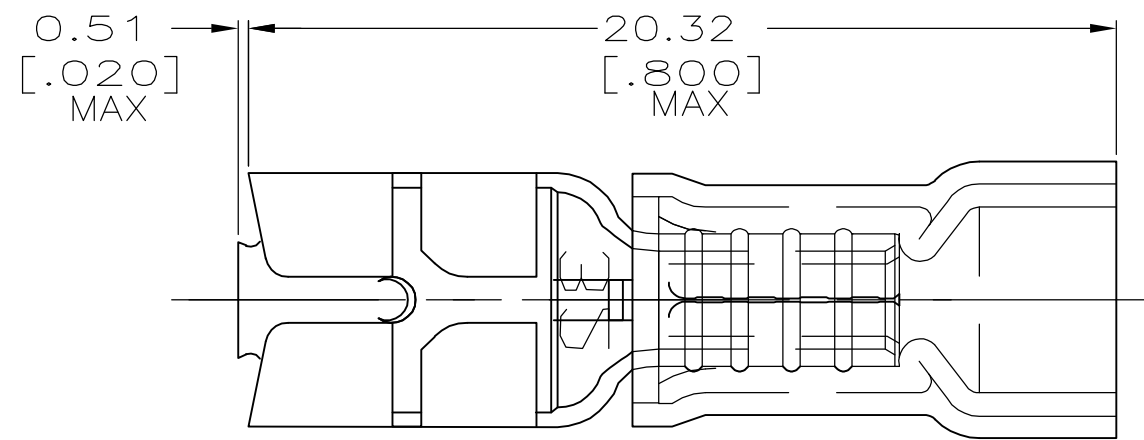


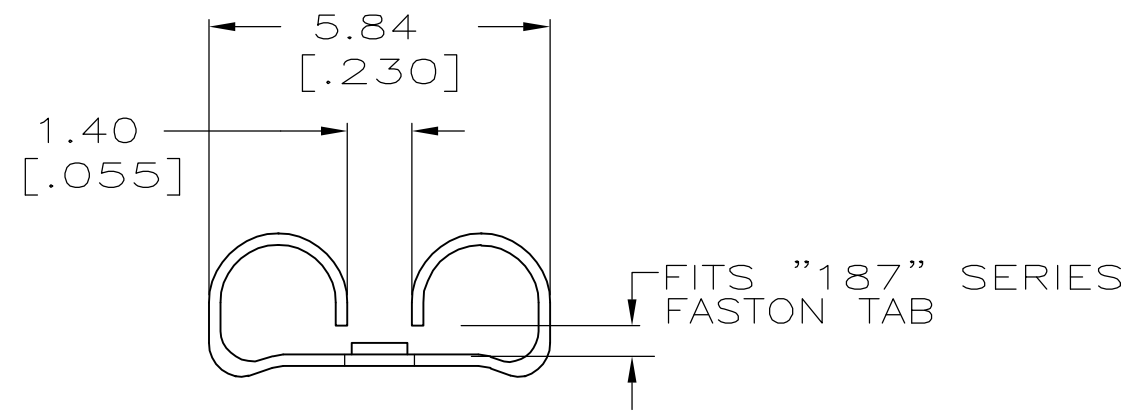
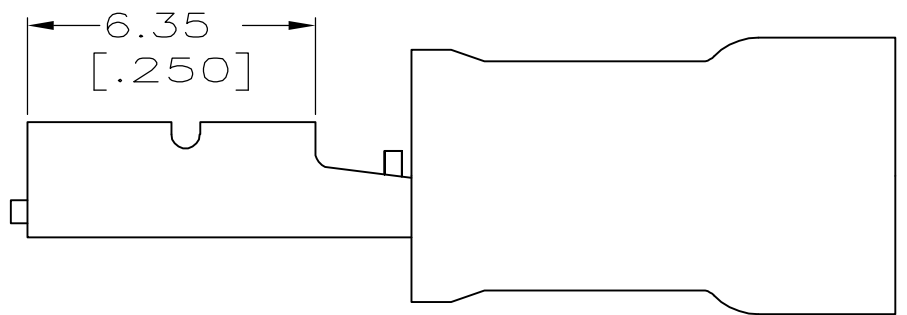
THIS DRAWING IS UNPUBLISHED. RELEASED FOR PUBLICATION  
 © COPYRIGHT BY TYCO ELECTRONICS CORPORATION. ALL RIGHTS RESERVED.

LOC	DIST	REVISIONS					
G	14	P	LTR	DESCRIPTION	DATE	DWN	APVD
			E3	REV PER ECR 07-006476	20MAR07	JR	TM

**AMP**  
 WIRE SIZE  
 22-18 AWG  
 STRANDED



- 1. INSULATION DIA 3.43 [.135] MAX
- 2. FITS TAB 0.81 [.032] THK
- 3 EASIER INSERTION
- 4 PRELIMINARY - NOT FOR PRODUCTION



4000	PVC, BLACK	ON TAPE, REEL	4 2-184268-2
1000	PVC, BLACK	LOOSE PIECE	4 2-184268-1
4000	NYLON, RED	ON TAPE, REEL	4 1-184268-2
1000	NYLON, RED	LOOSE PIECE	4 1-184268-1
4000	NYLON, RED	TAPE MOUNTED	184268-2
1000	NYLON, RED	LOOSE PIECE	184268-1
QTY	SLEEVE MATL./COLOR	PACKAGE TYPE	PART NO

THIS DRAWING IS A CONTROLLED DOCUMENT.		DWN L OLMEDA 29MAY96	<b>tyco</b> Tyco Electronics Corporation	
DIMENSIONS: mm		CHK M ELLIS 29MAY96	<b>Electronics</b> Harrisburg, PA 17105-3608	
TOLERANCES UNLESS OTHERWISE SPECIFIED:		APVD B BARE 29MAY96	NAME	
0 PLC ± -		PRODUCT SPEC	RECEPTACLE, 187 SERIES, LOW INSERTION	
1 PLC ± -		APPLICATION SPEC	FORCE, FASTON, PIDG,	
2 PLC ± 0.38 [.015]		WEIGHT -	SIZE A3	CAGE CODE 00779
3 PLC ± -		MATERIAL BODY, BRASS .016	DRAWING NO	RESTRICTED TO
4 PLC ± -			C-184268	-
ANGLES ± -		FINISH BODY, TIN	SCALE 1:1	SHEET 1 OF 1
MATERIAL BODY, BRASS .016		FINISH BODY, TIN	CUSTOMER DRAWING	REV E3

## X-ON Electronics

Largest Supplier of Electrical and Electronic Components

*Click to view similar products for [Terminals](#) category:*

*Click to view products by [TE Connectivity](#) manufacturer:*

Other Similar products are found below :

[00-054007-01074-6](#) [00-054007-70206-1](#) [00-054007-70210-8](#) [00-054007-70217-7](#) [00-054007-70226-9](#) [00-054007-70228-3](#) [00-054007-70248-1](#) [00-054007-70256-6](#) [00-054007-70301-3](#) [00-054007-70316-7](#) [00-054007-49560-4](#) [00-054007-70209-2](#) [00-054007-70225-2](#) [00-054007-70227-6](#) [00-054007-70231-3](#) [00-054007-70241-2](#) [00-054007-70242-9](#) [00-054007-70244-3](#) [00-054007-70246-7](#) [00-054007-70263-4](#) [00-054007-70288-7](#) [00-054007-70290-0](#) [00-054007-70300-6](#) [00-054007-70304-4](#) [01-2065-1-0216](#) [01-2900-1-04412](#) [00581P0075](#) [600TS-10](#) [60205-1](#) [604200-1](#) [605601-1](#) [60598-1-CUT-TAPE](#) [61314-6-C](#) [61810-3](#) [61-S](#) [61-SN](#) [626-0194](#) [62-NBM-A](#) [62-SN](#) [62-SP](#) [63-S](#) [640179-1](#) [M55155/059I03](#) [M55155/079C01](#) [M55155/099H02](#) [M55155/109H01](#) [M55155/109H02](#) [M55155/12XH05](#) [M55155/16XH02](#) [M55155/29-5S](#)