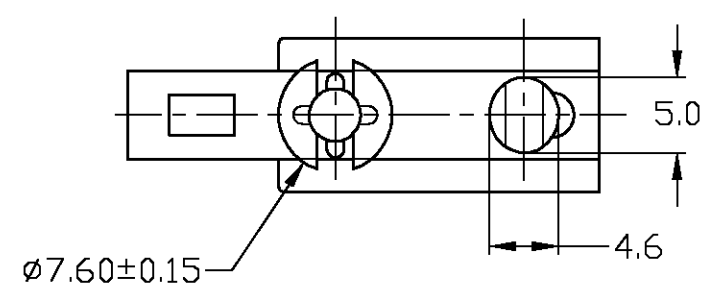
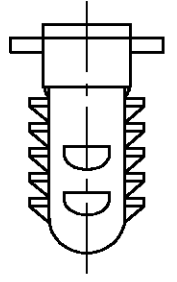
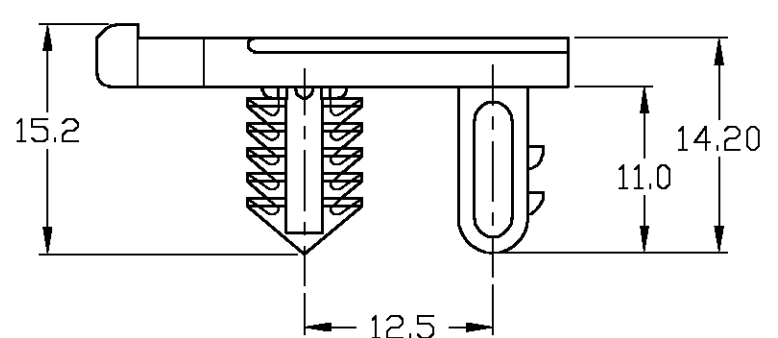
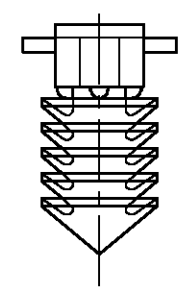
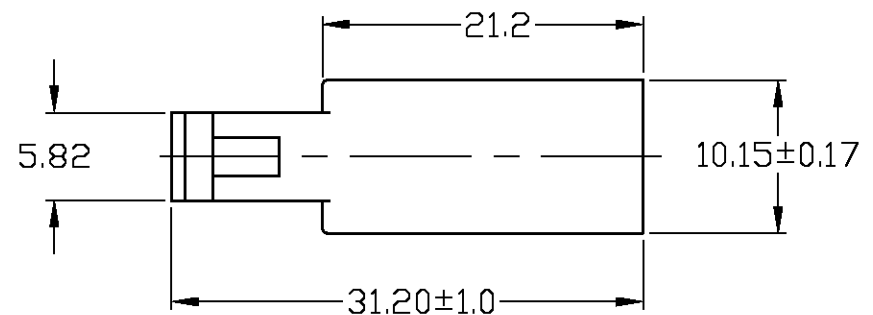


THIS DRAWING IS UNPUBLISHED. RELEASED FOR PUBLICATION

© COPYRIGHT BY TYCO ELECTRONICS CORPORATION. ALL RIGHTS RESERVED.

LOC	DIST	REVISIONS					
GE	18	P	LTR	DESCRIPTION	DATE	DWN	APVD
			A	REVISED PER ECR 05-017939	03FEB2006	DLD	DMR



- 1 MATERIAL: ZYTEL 408HS OR APPROVED EQUIVALENT. COLOR: NATURAL
- 2. CLIP TO SNAP INTO 6.5 DIA HOLE IN MATERIAL OF 5.10/.56 THICKNESS.
- 3. FORD PART NUMBER: E9DB-14A163-CA

184288-1  
PART NUMBER

THIS DRAWING IS A CONTROLLED DOCUMENT.		DWN	JR BUSSARD	13NOV2002		Tyco Electronics Corporation	
DIMENSIONS: mm		CHK	KL COBLE	13NOV2002		Harrisburg, PA 17105-3608	
		APVD	KL COBLE	13NOV2002		NAME	
TOLERANCES UNLESS OTHERWISE SPECIFIED:		PRODUCT SPEC		RETAINER, ANTI-ROTATIONAL			RESTRICTED TO
0 PLC ± - 1 PLC ± 0.30 2 PLC ± 0.10 3 PLC ± - 4 PLC ± - ANGLES ± -		APPLICATION SPEC		SIZE	CAGE CODE	DRAWING NO	
MATERIAL 1		WEIGHT -		A3	00779	C=184288	
FINISH -		CUSTOMER DRAWING		SCALE	2:1	SHEET	1 of 1
						REV	A

## X-ON Electronics

Largest Supplier of Electrical and Electronic Components

*Click to view similar products for [Automotive Connectors](#) category:*

*Click to view products by [TE Connectivity](#) manufacturer:*

Other Similar products are found below :

[003-018-000](#) [60403001](#) [60993906-B](#) [M902-2131](#) [M902-2161](#) [72.330.1035.1](#) [73.353.4028.0](#) [F119300-B](#) [F166900](#) [F258300-B](#) [F358300-B](#)  
[F407400](#) [F444110](#) [F487000](#) [F509500B-B](#) [827153-1](#) [8N1515-32-24P](#) [9-1326729-8](#) [925474-1](#) [928905-1](#) [964562-4](#) [968782-1](#) [GT17SA-8DS-](#)  
[HU](#) [98891-1012](#) [98947-1016](#) [12004147](#) [12004475-L](#) [12010290](#) [12010309-B](#) [12015454](#) [12020219-B](#) [12020308](#) [12041318-B](#) [12052225-L](#)  
[12052466](#) [12059125](#) [12064869](#) [12004327-B](#) [12010503-B](#) [12015308](#) [12015384](#) [12015909](#) [1-21030-1](#) [12041254](#) [12041318](#) [12047946-B](#)  
[12047957](#) [12047957-L](#) [12059473](#) [12066261](#)