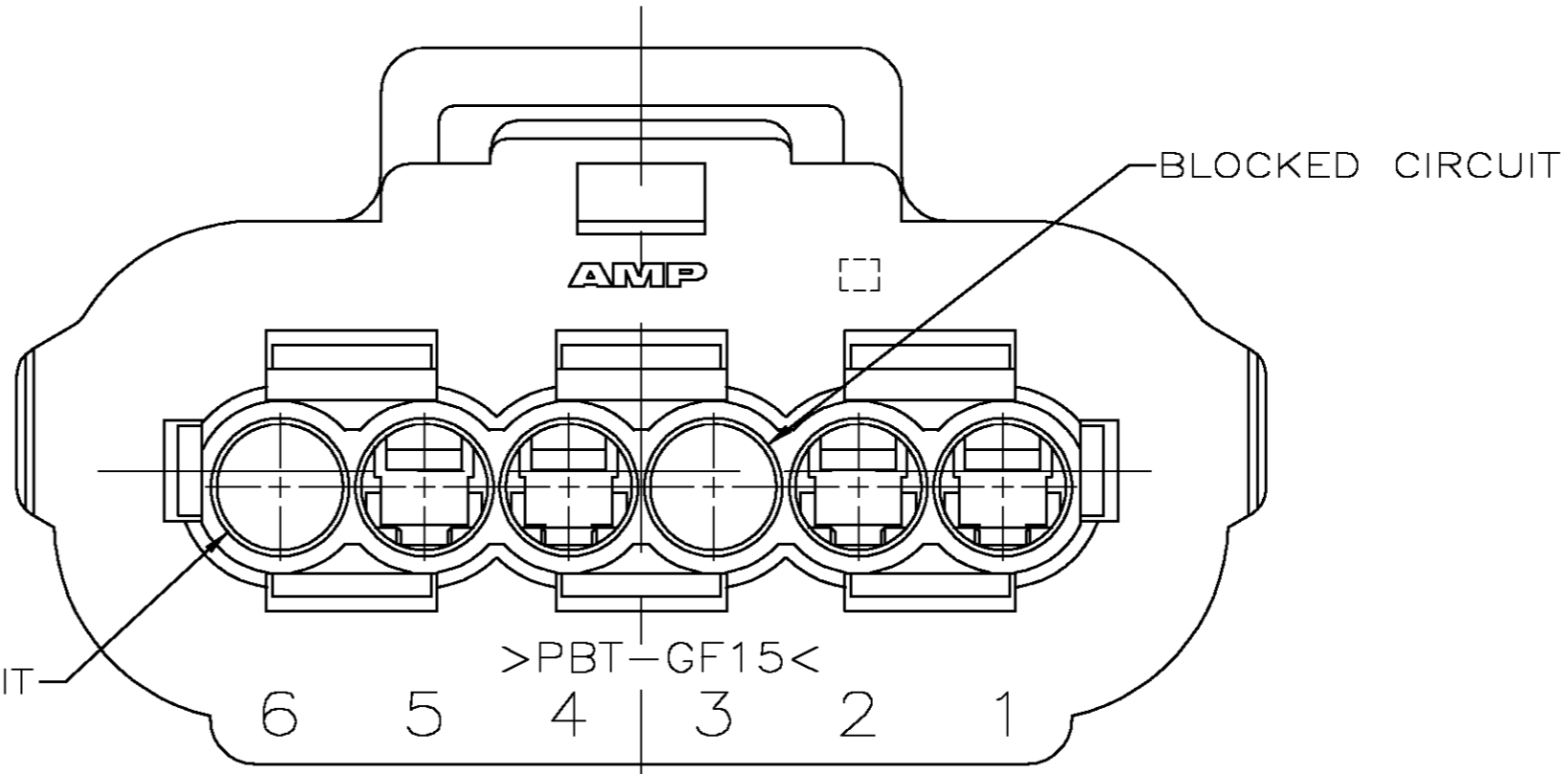
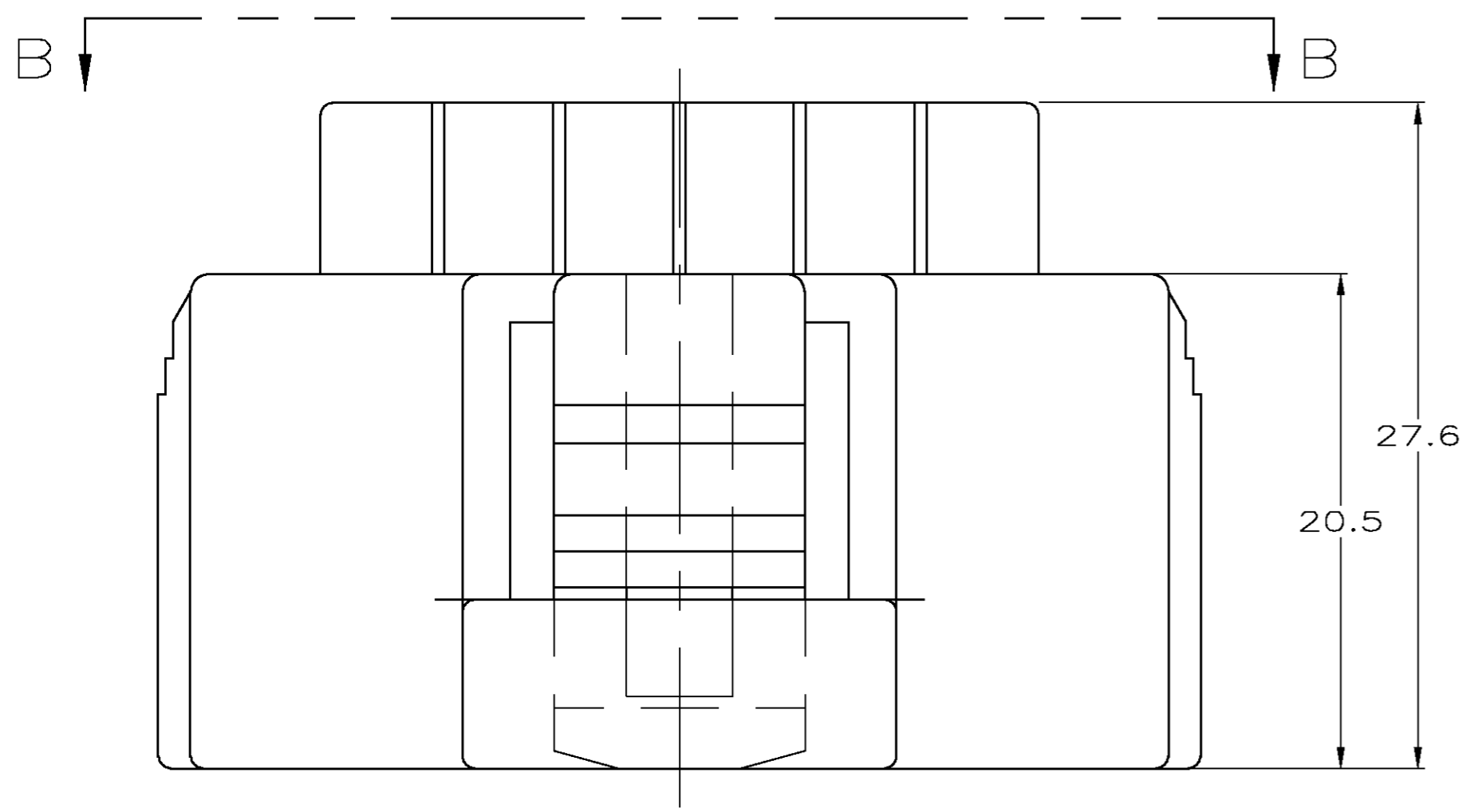
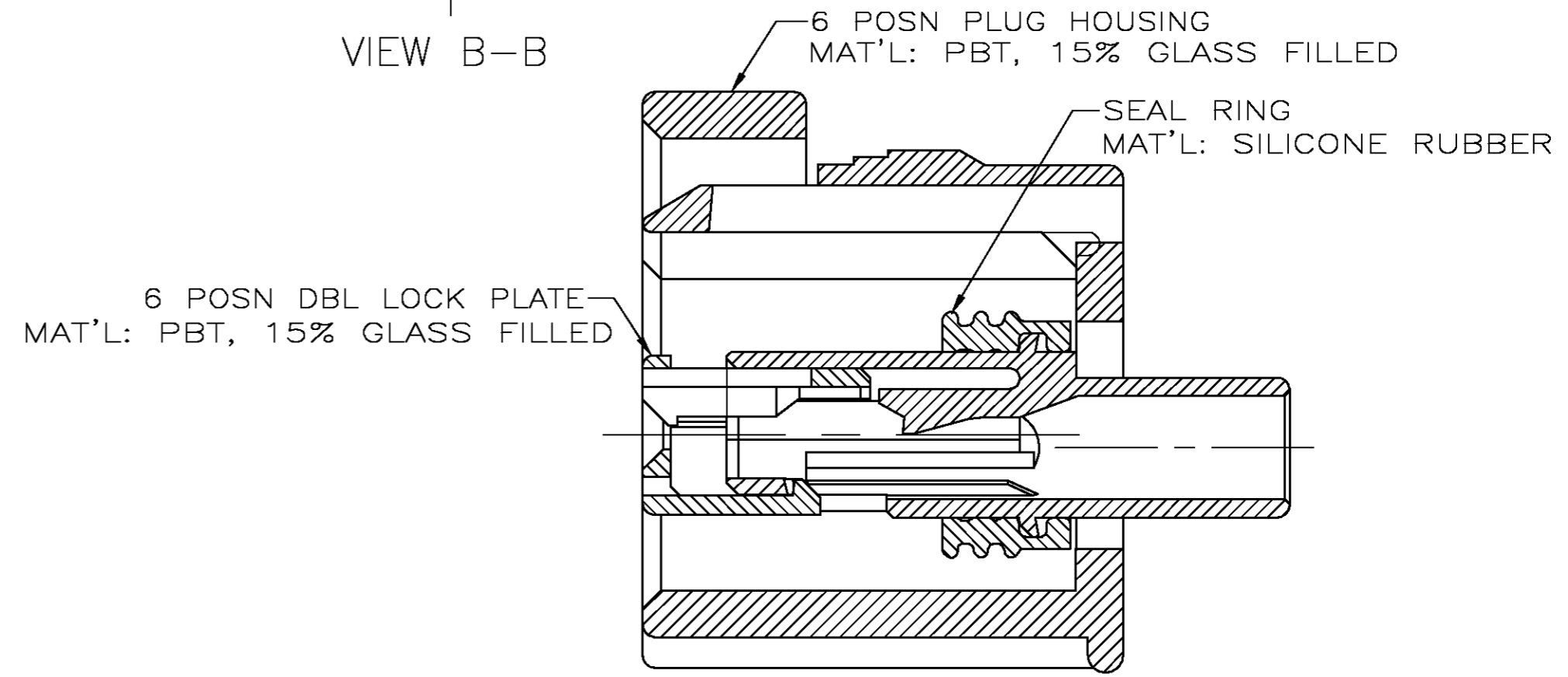
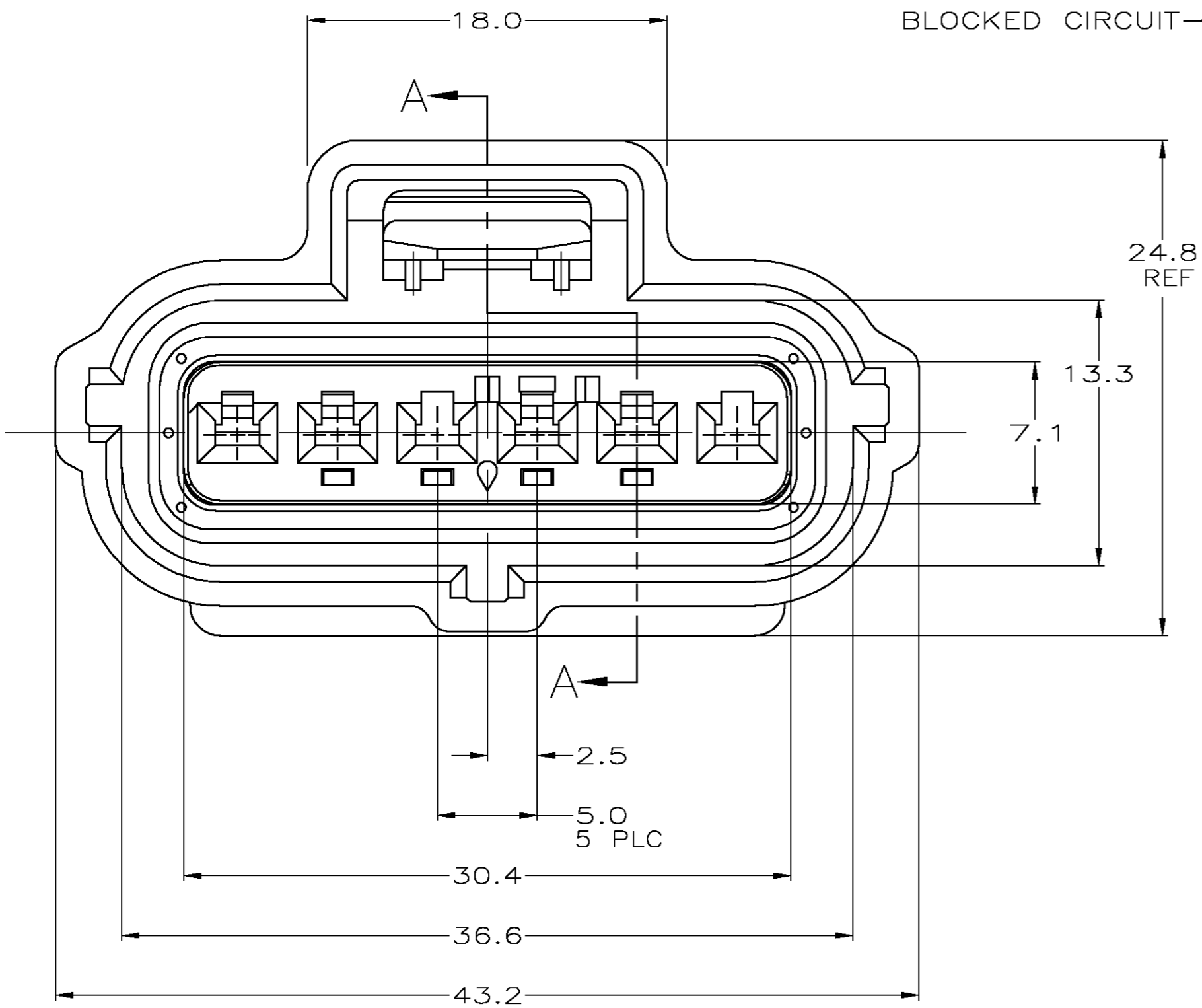


THIS DRAWING IS UNPUBLISHED. RELEASED FOR PUBLICATION
 © COPYRIGHT BY TYCO ELECTRONICS CORPORATION. ALL RIGHTS RESERVED.

LOC		DIST		REVISIONS			
P	LTR	DESCRIPTION		DATE	DWN	APVD	
GE	00	A	EC 0K40-0177-04	13AUG04	JRB	KLC	



NOTES:
 1. CIRCUITS 3 AND 6 ARE BLOCKED.



SECTION A-A

184452-1
 PART NUMBER

THIS DRAWING IS A CONTROLLED DOCUMENT.		DWN DL DRUMMOND 30-SEP-03		Tyco Electronics Corporation	
DIMENSIONS: MM		CHK KL COBLE 30-SEP-03		Harrisburg, PA 17105-3608	
TOLERANCES UNLESS OTHERWISE SPECIFIED:		APVD KL COBLE 30-SEP-03	NAME		PLUG ASSEMBLY, 6 POSITION, SEALED SENSOR CONNECTOR
0 PLC ± -		PRODUCT SPEC	SIZE		
1 PLC ± -		APPLICATION SPEC	CAGE CODE		RESTRICTED TO
2 PLC ± 0.3		WEIGHT	DRAWING NO		
3 PLC ± -		SCALE 4:1		SHEET 1 OF 1	
4 PLC ± -		CUSTOMER DRAWING		REV A	
5 PLC ± -		A2 00779		C=184452	
ANGLES ±' -		SCALE 4:1		SHEET 1 OF 1	
FINISH		CUSTOMER DRAWING		REV A	

X-ON Electronics

Largest Supplier of Electrical and Electronic Components

Click to view similar products for [Automotive Connectors](#) category:

Click to view products by [TE Connectivity](#) manufacturer:

Other Similar products are found below :

[003-018-000](#) [60403001](#) [60993906-B](#) [M902-2131](#) [M902-2161](#) [M902-2344](#) [72.330.1035.1](#) [73.353.4028.0](#) [F119300-B](#) [F166900](#) [F258300-B](#)
[F358300-B](#) [F407400](#) [F444110](#) [F487000](#) [F509500B-B](#) [827153-1](#) [8N1515-32-24P](#) [9-1326729-8](#) [925474-1](#) [928905-1](#) [964562-4](#) [968782-1](#)
[GT17SA-8DS-HU](#) [98891-1012](#) [98947-1016](#) [12004147](#) [12004475-L](#) [12010290](#) [12015454](#) [12020219-B](#) [12041318-B](#) [12052225-L](#) [12052466](#)
[12064869](#) [12004327-B](#) [12015308](#) [12015384](#) [12015909](#) [1-21030-1](#) [12041254](#) [12041318](#) [12047946-B](#) [12047957](#) [12047957-L](#) [12059473](#)
[12066261](#) [12110546](#) [12110546-B](#) [12131792](#)