

185028-1 ✓ ACTIVE

AMP | Junior Power Timer

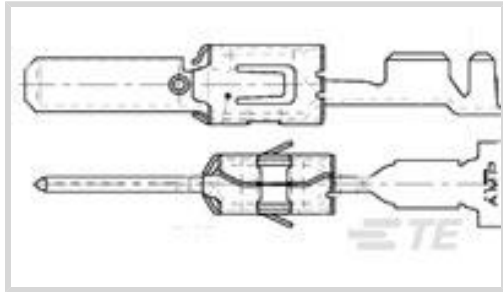
TE Internal #: 185028-1

Junior Power Timer, Automotive Terminals, Tab, Tab Width 2.8 mm [.11 in], Tab Thickness .8 mm [.031 in], Terminal Transmits 0 – 24 A (Low Power)

[View on TE.com >](#)



Terminals & Splices > Automotive Terminals > TIMER, RECEPTACLE AND TAB



Terminal & Splice Type: **Tab**

Mating Tab Width: **2.8 mm [.11 in]**

Mating Tab Thickness: **.8 mm [.031 in]**

Terminal Transmits: **0 – 24 A (Low Power)**

Wire Size: **.35 – 1 mm²**

[All TIMER, RECEPTACLE AND TAB \(354\)](#)

Features

Product Type Features

Sealable	Yes
Primary Locking Feature	Locking Lance

Contact Features

Typical Current Rating	5 A
Crimp Type	F-Crimp
Terminal & Splice Type	Tab
Mating Tab Width	2.8 mm [.11 in]
Mating Tab Thickness	.8 mm [.031 in]
Automotive Terminal Interface Plating	Tin (Sn)
Contact Termination Area Plating Material	Tin (Sn)

Termination Features

Automotive Terminal Termination Method	Crimp
--	-------

Dimensions

Wire Size	.35 – 1 mm ²
Wire Size Search	17 AWG, 18 AWG, 19 AWG, 20 AWG, 21 AWG
Wire Insulation Diameter	3.4 mm [.134 in]



Usage Conditions

Operating Temperature (Max)	80 °C, 85 °C, 90 °C, 100 °C[176 °F][185 °F] [194 °F][212 °F]
Operating Temperature Range	-40 – 100 °C[-40 – 212 °F]

Packaging Features

Packaging Method	Reel
Packaging Quantity	3500

Other

Terminal Transmits	0 – 24 A (Low Power)
--------------------	----------------------

Product Compliance

[For compliance documentation, visit the product page on TE.com>](#)

EU RoHS Directive 2011/65/EU	Compliant
EU ELV Directive 2000/53/EC	Compliant
China RoHS 2 Directive MIIT Order No 32, 2016	No Restricted Materials Above Threshold
EU REACH Regulation (EC) No. 1907/2006	Current ECHA Candidate List: JAN 2021 (211) Candidate List Declared Against: JAN 2021 (211) Does not contain REACH SVHC
Halogen Content	Low Halogen - Br, Cl, F, I < 900 ppm per homogenous material. Also BFR/CFR/PVC Free
Solder Process Capability	Not applicable for solder process capability

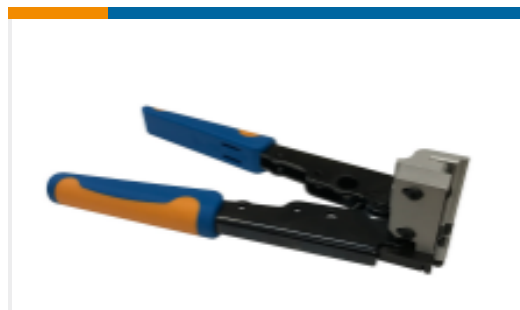
Product Compliance Disclaimer

This information is provided based on reasonable inquiry of our suppliers and represents our current actual knowledge based on the information they provided. This information is subject to change. The part numbers that TE has identified as EU RoHS compliant have a maximum concentration of 0.1% by weight in homogenous materials for lead, hexavalent chromium, mercury, PBB, PBDE, DBP, BBP, DEHP, DIBP, and 0.01% for cadmium, or qualify for an exemption to these limits as defined in the Annexes of Directive 2011/65/EU (RoHS2). Finished electrical and electronic equipment products will be CE marked as required by Directive 2011/65/EU. Components may not be CE marked. Additionally, the part numbers that TE has identified as EU ELV compliant have a maximum concentration of 0.1% by weight in homogenous materials for lead, hexavalent chromium, and mercury, and 0.01% for cadmium, or qualify for an exemption to these limits as defined in the Annexes of Directive 2000/53/EC (ELV). Regarding the REACH Regulation, the information TE provides on SVHC in articles for this part number is based on the latest European Chemicals Agency (ECHA) 'Guidance on requirements for substances in articles' posted at this URL: <https://echa.europa.eu/guidance-documents/guidance-on-reach>

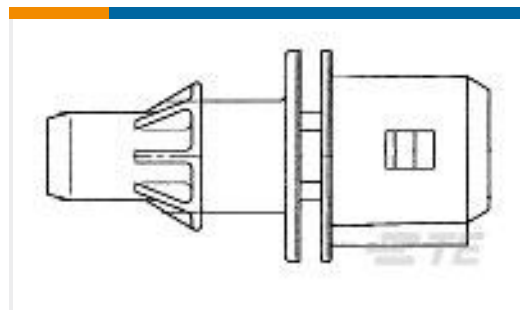
Compatible Parts



TE Part # 185001-6
4P TAB JPT HOUSING



TE Part # 2305570-1
TERMINAL CUTTER, SIDE FEED



TE Part # 106462-1
2P.FASTIN-ON HSG.



TE Part # 2-2266458-1
OCEAN_2.0_APPLICATION-S-070F155O



TE Part # 2-2266458-2
OCEAN_2.0_APPLICATION-S-070F155O



TE Part # 2266458-1
OCEAN_2.0_APPLICATION-S-070F155O



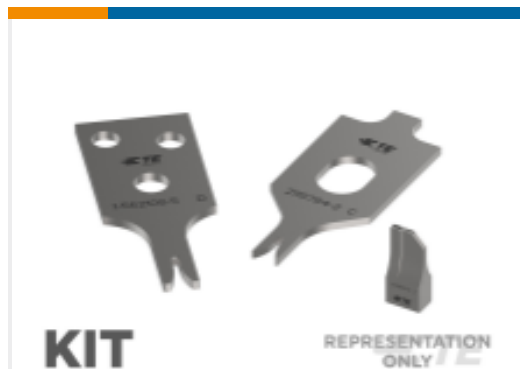
TE Part # 2266458-2
OCEAN_2.0_APPLICATION-S-070F155O



TE Part # 7-2266458-1
OCEAN_2.0_APPLICATION-S-070F155O



TE Part # 7-2266458-2
OCEAN_2.0_APPLICATION-S-070F155O



TE Part # 7-2266458-7
OCEAN_2.0_SPARE_PART_KIT-070F155O

Also in the Series | Junior Power Timer



Automotive Connector Caps & Covers (5)



Automotive Headers(1)



Automotive Housings(223)



Automotive Seals & Cavity Plugs(10)



Automotive Terminals(81)



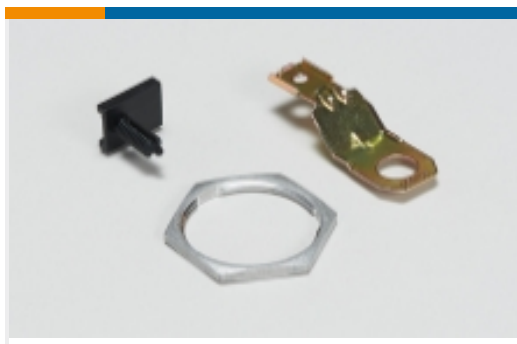
Busbars & Terminals(1)



Insertion & Extraction Tools(9)



Module Components(8)



Other Automotive Connector
Accessories(1)

Customers Also Bought



TE Part #1-2177909-1
MCON 0.5 CB, CONTACT



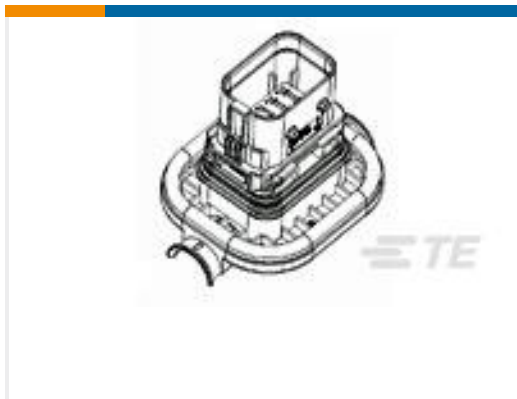
TE Part #1-953893-1
16/8W+4SC MQS REC HSG ASS



TE Part #1-962919-2
TAB 5.8x0.8 CONTACT CS SWS Ag



TE Part #1-1419158-7
INLIN CONN.FEMAL22P



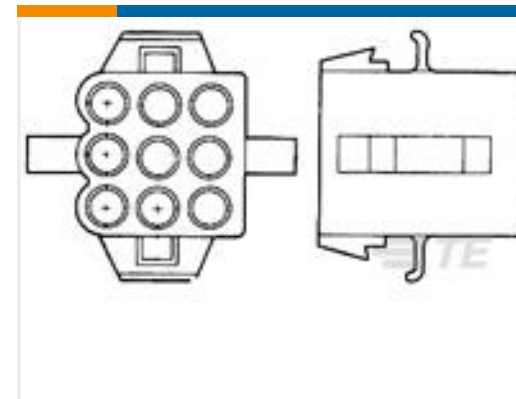
TE Part #1-1823448-2
18POS,LEAVYSEAL,TAB HSG ASSY,
SLD



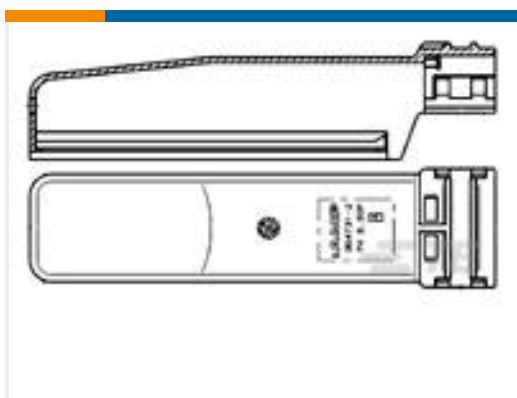
TE Part #1-2141846-3
CARRIER,RECEPTACLE HSG, 25POS,
ASSY



TE Part #1-1534097-1
MQS COVER 2X8P



TE Part #1-480672-9
09P .140 MNL PLUG PM BLK



TE Part #964731-1
MICRO/JPT ABDECKKAP



TE Part #1-547736-6
O-RING

Documents

Product Drawings

[TAB F 2.8x0.8 CONTACT CS SWS Sn](#)

French

CAD Files

[Customer View Model](#)

[ENG_CVM_185028-1_A.3d_igs.zip](#)

English

[Customer View Model](#)



[ENG_CVM_185028-1_A.3d_stp.zip](#)

English

Customer View Model

[ENG_CVM_185028-1_A.2d_dxf.zip](#)

English

3D PDF

English

By downloading the CAD file I accept and agree to the [Terms and Conditions](#) of use.

Datasheets & Catalog Pages

Timer Interconnection System

English

Product Specifications

Application Specification

English

LANGUETTE JPT 2.8 X 0.8

English

Application Specification

French

X-ON Electronics

Largest Supplier of Electrical and Electronic Components

Click to view similar products for [Automotive Connectors](#) category:

Click to view products by [TE Connectivity](#) manufacturer:

Other Similar products are found below :

[003-018-000](#) [60403001](#) [60993906-B](#) [M902-2131](#) [M902-2161](#) [M902-2344](#) [72.330.1035.1](#) [73.353.4028.0](#) [F119300-B](#) [F166900](#) [F258300-B](#)
[F358300-B](#) [F407400](#) [F444110](#) [F487000](#) [F509500B-B](#) [827153-1](#) [8N1515-32-24P](#) [9-1326729-8](#) [925474-1](#) [928905-1](#) [964562-4](#) [968782-1](#)
[GT17SA-8DS-HU](#) [98891-1012](#) [98947-1016](#) [12004147](#) [12004475-L](#) [12010290](#) [12010309-B](#) [12015454](#) [12020219-B](#) [12041318-B](#) [12052225-](#)
[L](#) [12052466](#) [12064869](#) [12004327-B](#) [12015308](#) [12015384](#) [12015909](#) [1-21030-1](#) [12041254](#) [12041318](#) [12047946-B](#) [12047957](#) [12047957-L](#)
[12059473](#) [12066261](#) [12110546](#) [12110546-B](#)