

4

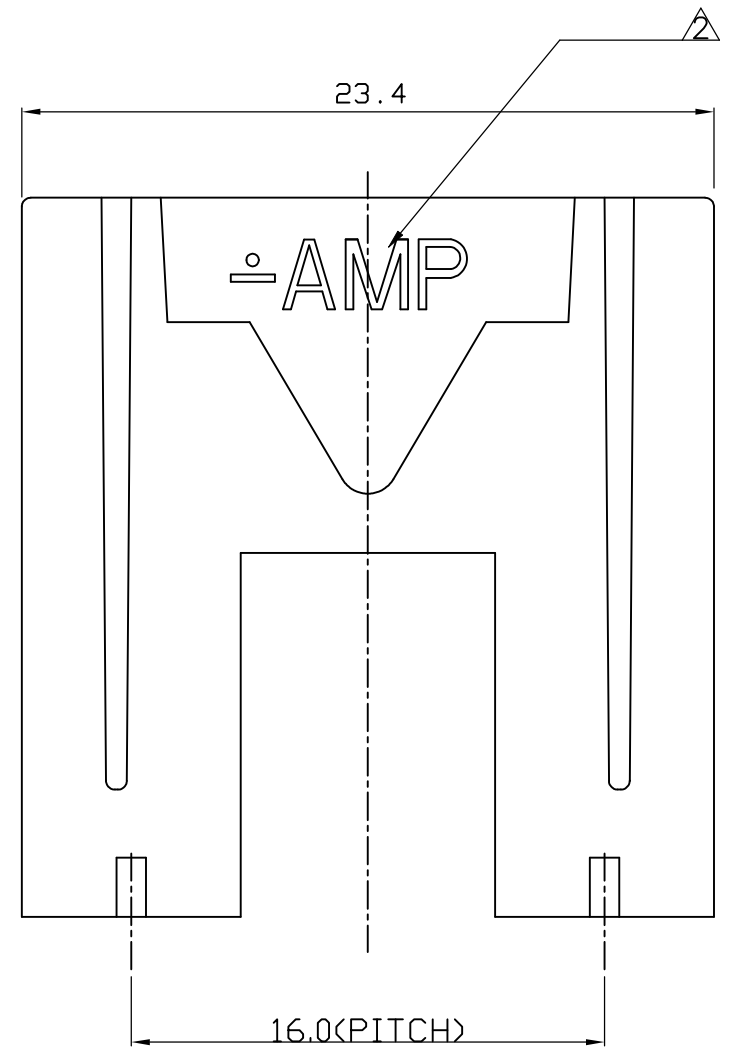
3

2

1

THIS DRAWING IS UNPUBLISHED. RELEASED FOR PUBLICATION
© COPYRIGHT BY TYCO ELECTRONICS CORPORATION. ALL RIGHTS RESERVED.

LOC	DIST	REVISIONS					
		P	LTR	DESCRIPTION	DATE	DWN	APVD
DS	-		A2	REVISED PER ECR-16-001910	22SEP'16	SC	BW
			A3	REVISED PER ECR-18-006574	30MAY'18	BH	RP
			A4	REVISED PER ECR-18-015822	22NOV'18	BH	E.W

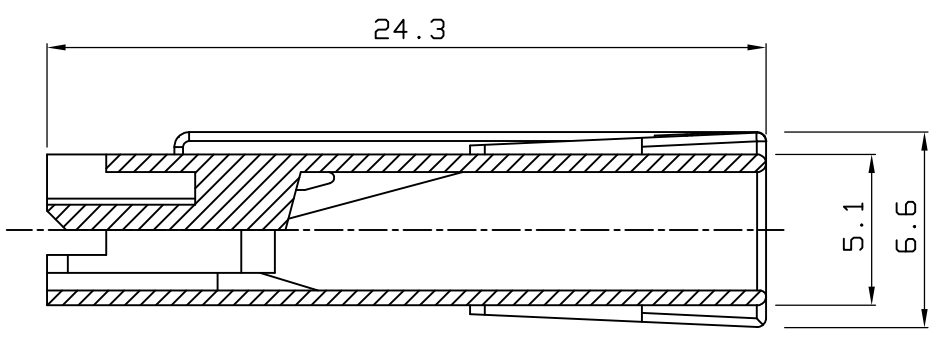
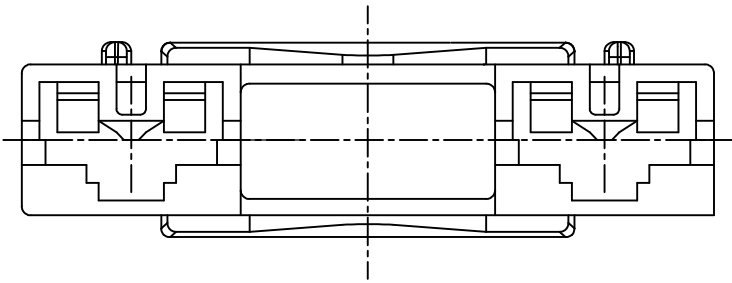


NOTES :
 1. APPLICABLE CONTACT P/N :
 170324, 170325, 170326
 A SEE TABLE
 B MATERIAL : PA66, UL94 V-0, GWIT 775°C

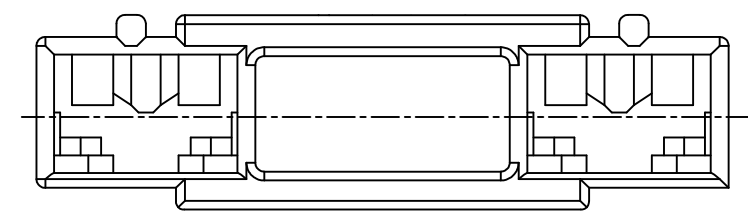
TABLE A

ID MARK	MANUFACTURING PLACE
◦AMP OR ◡AMP	Korea
◡AMP OR ◡AMP	Qingdao

PRELIMINARY		A	NATURAL	2-85092-1	
	3	NYLON66(V-0)	YELLOW	1-85092-4	OBSOLETE
	2	NYLON66(V-0)	NATURAL	1-85092-1	
	1	NYLON66(V-2)	NATURAL	85092-1	
		MAT'L	COLOR	PART NO	



SECTION A-A



THIS DRAWING IS A CONTROLLED DOCUMENT FOR TYCO ELECTRONICS CORPORATION IT IS SUBJECT TO CHANGE AND THE CONTROLLING ENGINEERING ORGANIZATION SHOULD BE CONTACTED FOR THE LATEST REVISION.		DWN BH CHO	AMP KOREA. kyungsan, korea	
DIMENSIONS: MM		CHK BW KANG		
TOLERANCES UNLESS OTHERWISE SPECIFIED:		APVD JK SONG	NAME 187 SERIES POSITIVE LOCK (MK II) 2P REC HSG	
		PRODUCT SPEC 108-5126	RESTRICTED TO	
MATERIAL SEE TABLE		FINISH -	APPLICATION SPEC -	SIZE A3
		WEIGHT -	CAGE CODE 00779	DRAWING NO C-85092
		CUSTOMER DRAWING	SCALE 4/1	SHEET 1 OF 1
				REV A4

X-ON Electronics

Largest Supplier of Electrical and Electronic Components

Click to view similar products for [Headers & Wire Housings](#) category:

Click to view products by [TE Connectivity](#) manufacturer:

Other Similar products are found below :

[57102-F02-18ULF](#) [58102-G61-06LF](#) [582553-1](#) [009176003701906](#) [01.001.5753.1](#) [0050291907](#) [02.125.8002.8](#) [609-3404](#) [61062-3](#)
[CSU011177004](#) [622-0430](#) [622-3653LF](#) [63453-116](#) [636-1030](#) [636-1427](#) [636-3427](#) [636-4007](#) [641938-9](#) [644827-2](#) [65495-038](#) [65692-001LF](#)
[65781-018](#) [65781-047](#) [65817-010LF](#) [65817-015LF](#) [66207-023LF](#) [67095-007LF](#) [67601157](#) [68631-112](#) [68645-018](#) [699319-000](#)
[M90C108951C](#) [70.362.1628.0](#) [70-4210](#) [70-4226B](#) [70-4853B](#) [707-5028](#) [71.350.2428.0](#) [71961-016LF](#) [733-134](#) [733-162](#) [754199-000](#) [760-](#)
[3052](#) [80.063.4001.1](#) [800-90-001-10-001000](#) [800-90-010-10-002000](#) [801-43-002-10-013000](#) [801-43-006-10-002000](#) [803-41-018-10-001000](#)
[803-43-024-10-001000](#)