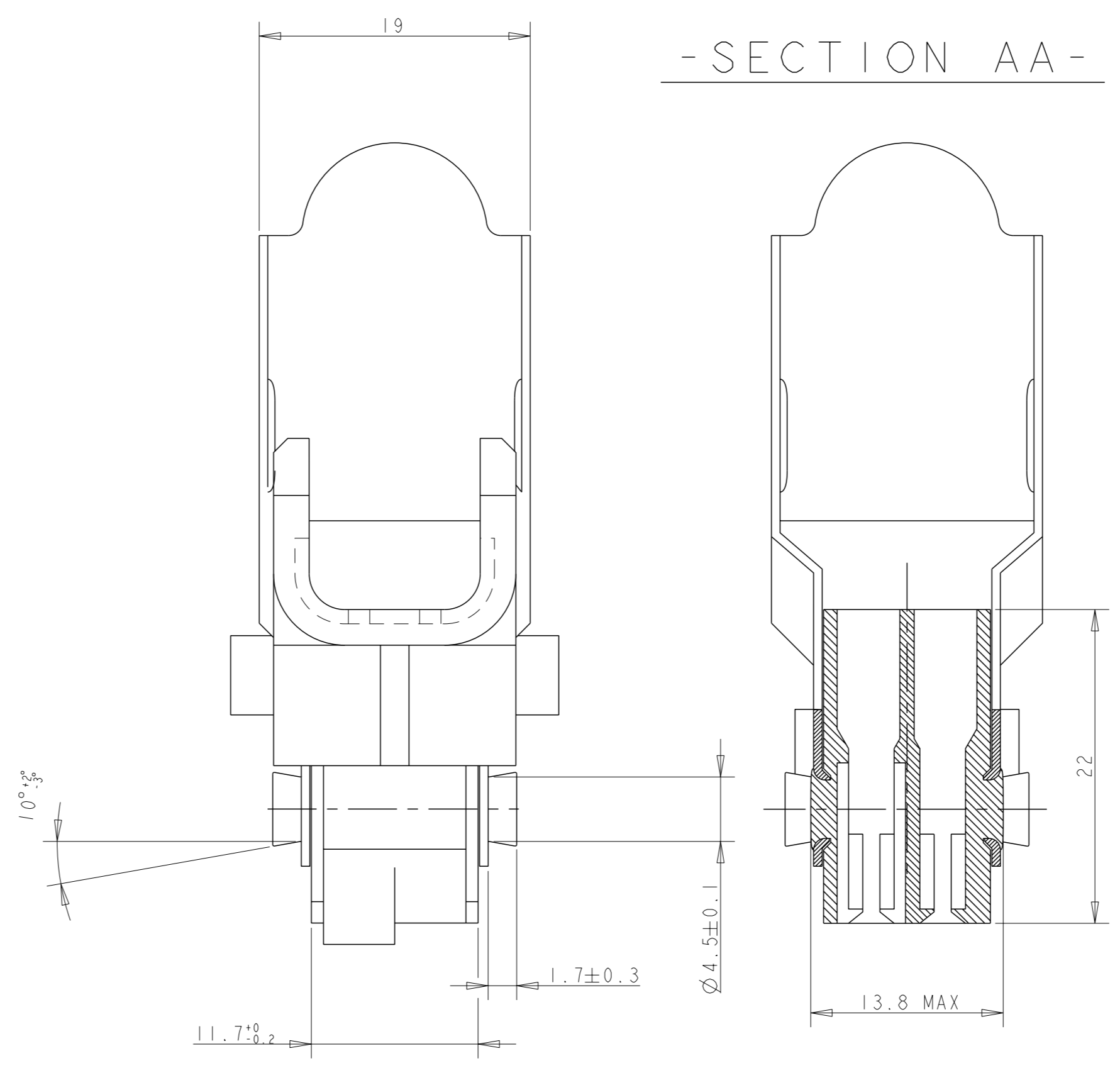
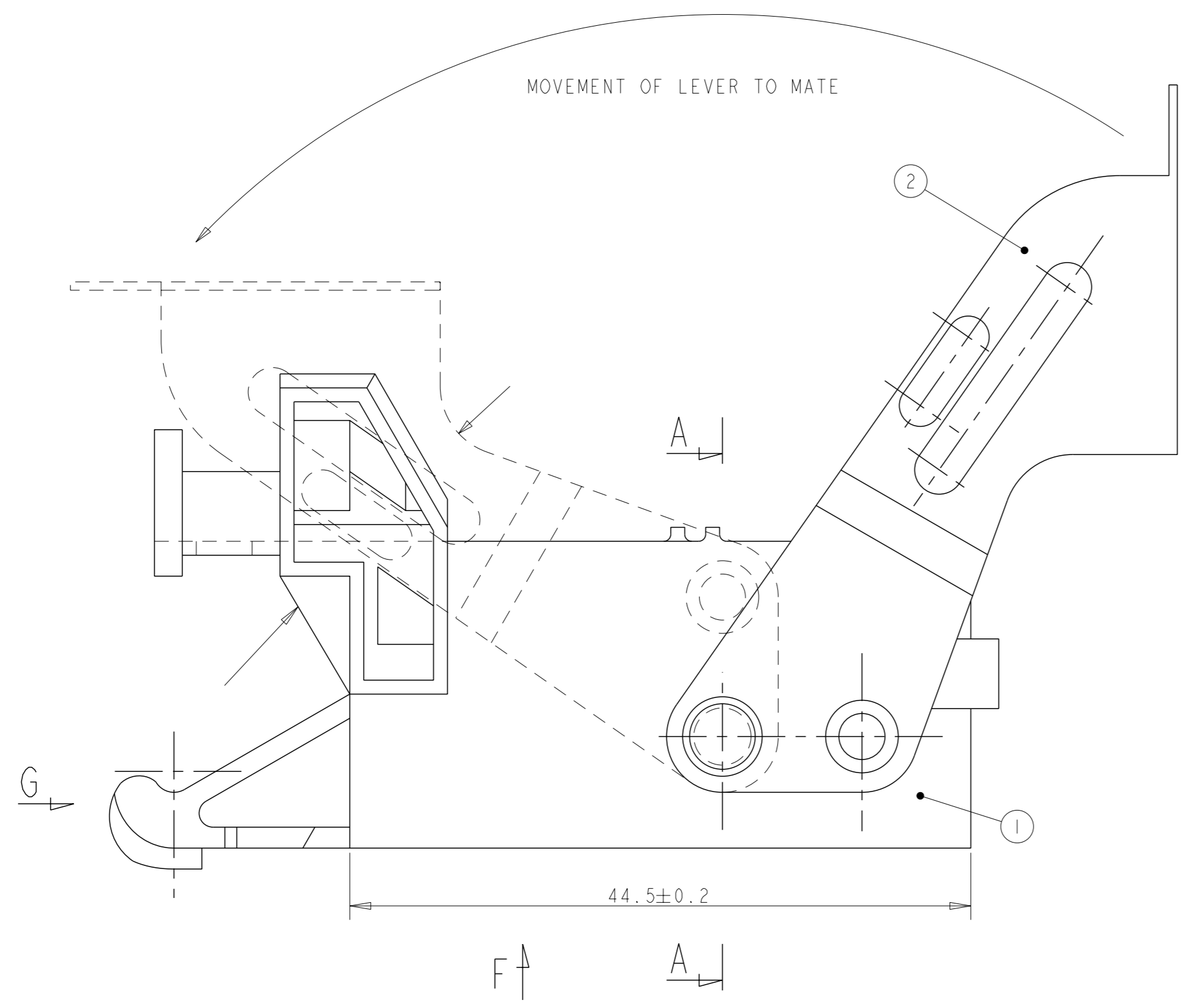
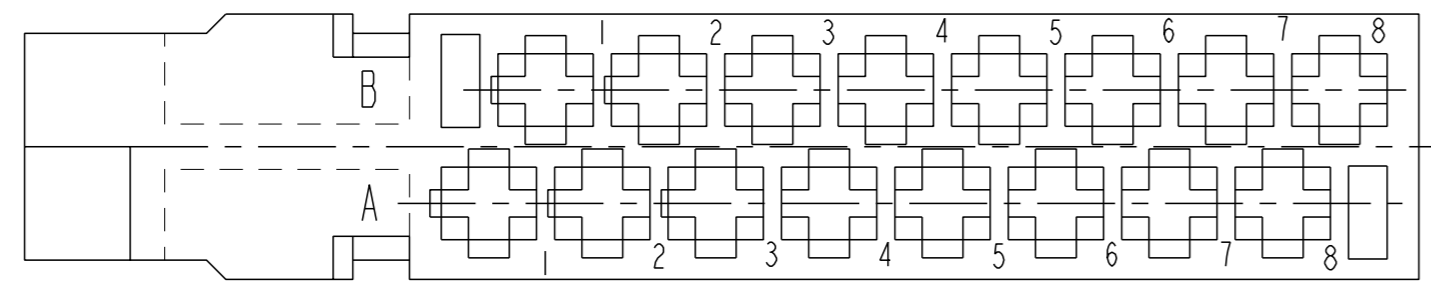


REVISIONS					
N°	LYN	DESCRIPTION	DATE	OWN	APPV
	A	NEW DRAWING	09AUG2017	KCD	DB

-VIEW F- CONTACT CAVITY NUMBERING

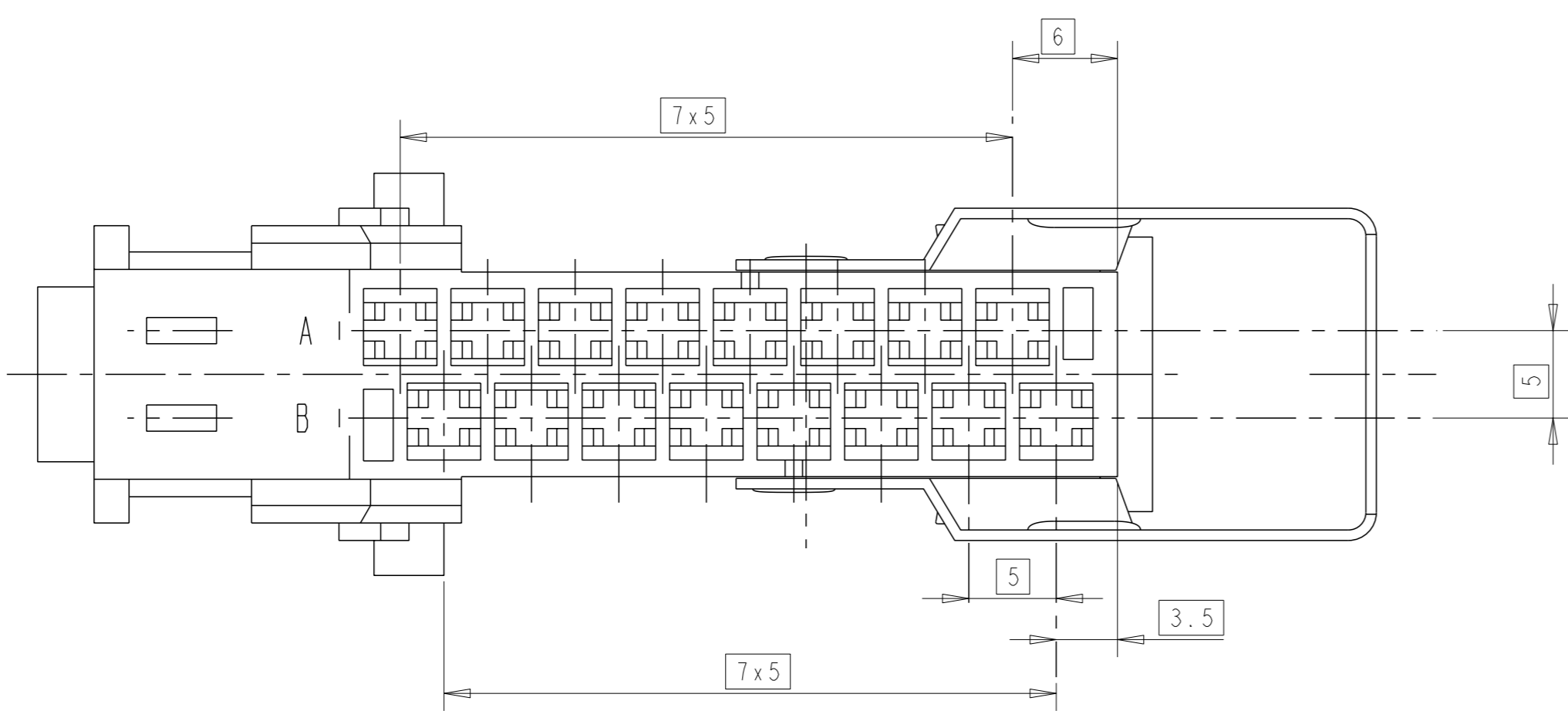
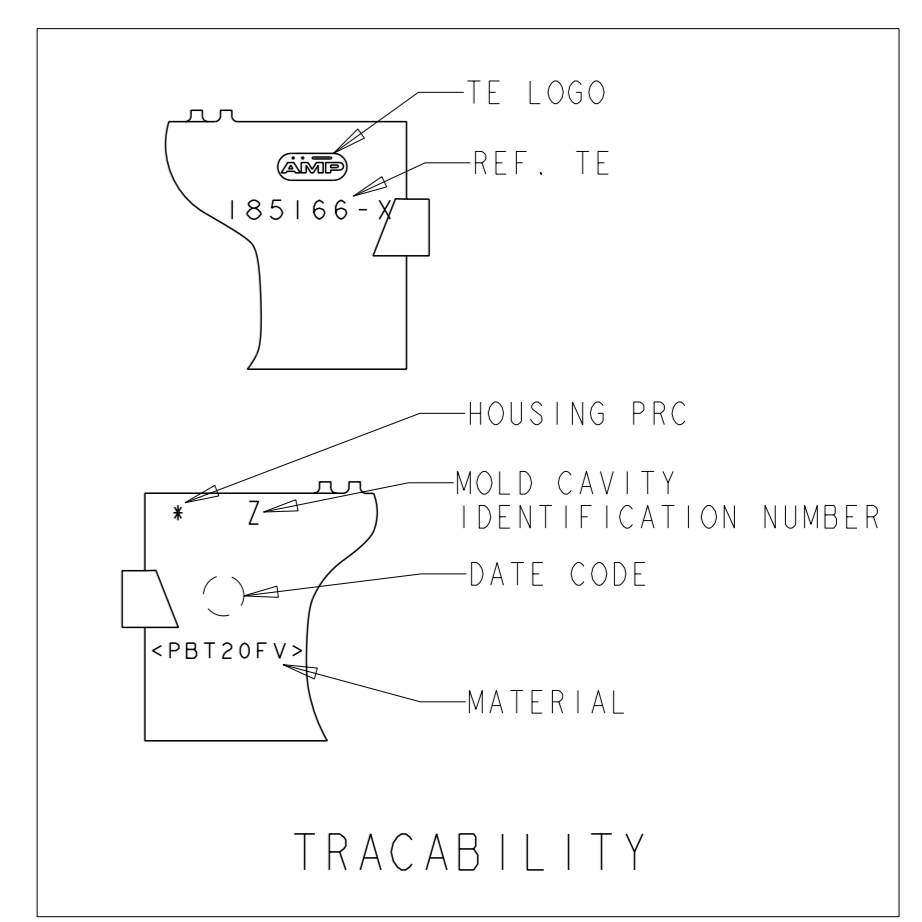


PRODUCT SPEC.	APPLICATION SPEC.	PACKAGING SPEC.
108-15107	114-15050/15051	107-15201

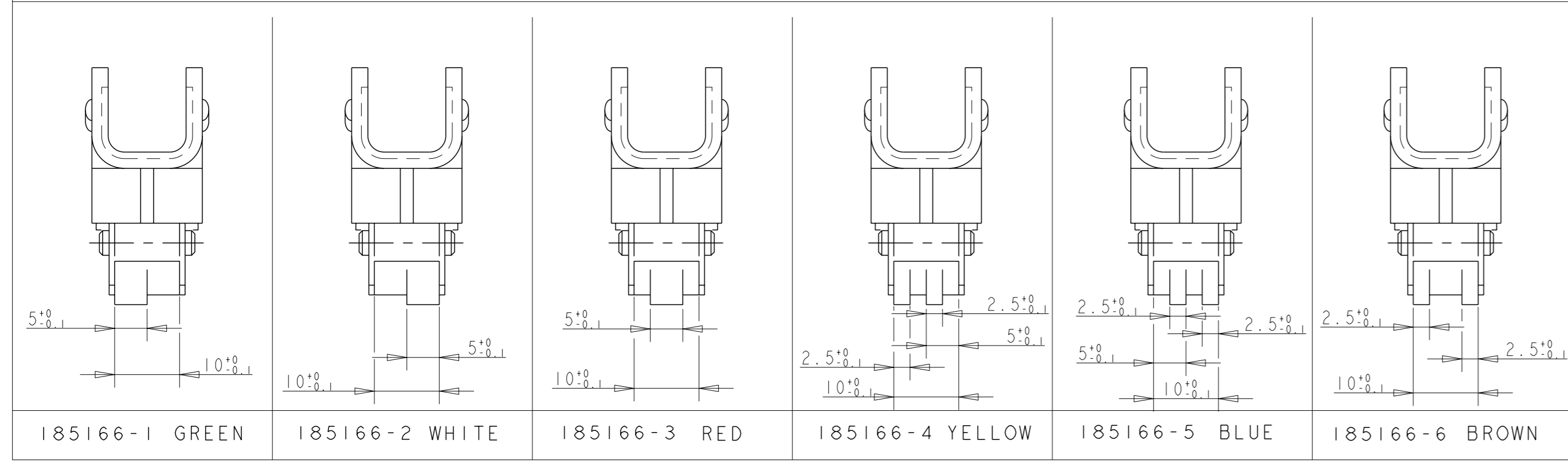
INSTRUCTION SHEET FOR CONTACT	RECOMMENDATIONS OF CONNECTORS	USER MANUAL OF PUSH TEST
411-15895	411-15515/15546	411-15517

APPLIED CONTACTS

144431-1
144432-1
REF TE



-VIEW G- DIFFERENT CODINGS



	-6	-5	-4	-3	-2	-1					
I	I	I	I	I	I	I	185169-1	0	LEVER	STAINLESS STEEL	②
I							185171-6	B	JPT HOUSING 16 WAY	PBT 20% GF	①
	I						185171-5	B			
		I					185171-4	B			
			I				185171-3	B			
				I			185171-2	B			
					I		185171-1	B			
185166							PN	PRC	DESCRIPTION	MATERIAL	ITEM
BROWN	BLUE	YELLOW	RED	WHITE	GREEN						

THIS DRAWING IS A CONTROLLED DOCUMENT. CE PLAN EST UN DOCUMENT CONTROLÉ PAR AMP INCORPORATED. IL EST IDENTIFIÉ ET TRACÉ. TOUS DROITS RESERVES. TECHNISCHE ZEICHNUNG. TECHNICAL DRAWING. ALL RIGHTS RESERVED.

DIMENSIONS: mm
 TOLERANCES UNLESS OTHERWISE SPECIFIED: (SUIVI NR. DE DECIMALES):
 0 PLC / DEC: ±
 1 PLC / DEC: ±
 2 PLC / DEC: ±0.3
 3 PLC / DEC: ±
 4 PLC / DEC: ±
 ANGLES: 45°
 FINISH: -
 MATERIAL MATIERE: -

DWN/DRESSINE: 09AUG2017
 K. C. DEEPA
 CHK/VÉRIFIE: 09AUG2017
 D. BANCE
 APVU/APPROUVE: 09AUG2017
 Y. BOUILLARD
 PRODUCT SPEC. SPEC. PRODUIT: -
 APPLICATION SPEC. SPEC. APPLICATION: -
 WEIGHT MASS APPROX.: -
 CUSTOMER DRAWING /PLAN CLIENT POUR REFERENCE: -

16 WAY CONNECTOR WITH COUPLING AID
 SIZE: A1
 CAGE CODE: 100779
 DRAWING NO: 185166
 SHEET: 1 OF 1
 SCALE: 2:1
 SHEET: 1 OF 1
 REV: A

TE TE Connectivity

X-ON Electronics

Largest Supplier of Electrical and Electronic Components

Click to view similar products for [Automotive Connectors](#) category:

Click to view products by [TE Connectivity](#) manufacturer:

Other Similar products are found below :

[003-018-000](#) [60403001](#) [60993906-B](#) [M902-2131](#) [M902-2161](#) [M902-2344](#) [72.330.1035.1](#) [73.353.4028.0](#) [F119300-B](#) [F166900](#) [F258300-B](#)
[F358300-B](#) [F407400](#) [F444110](#) [F487000](#) [F509500B-B](#) [827153-1](#) [8N1515-32-24P](#) [9-1326729-8](#) [925474-1](#) [928905-1](#) [964562-4](#) [968782-1](#)
[GT17SA-8DS-HU](#) [98891-1012](#) [98947-1016](#) [12004147](#) [12004475-L](#) [12010290](#) [12010309-B](#) [12015454](#) [12020219-B](#) [12041318-B](#) [12052225-](#)
[L](#) [12052466](#) [12064869](#) [12004327-B](#) [12015308](#) [12015384](#) [12015909](#) [1-21030-1](#) [12041254](#) [12041318](#) [12047946-B](#) [12047957](#) [12047957-L](#)
[12059473](#) [12066261](#) [12110546](#) [12110546-B](#)