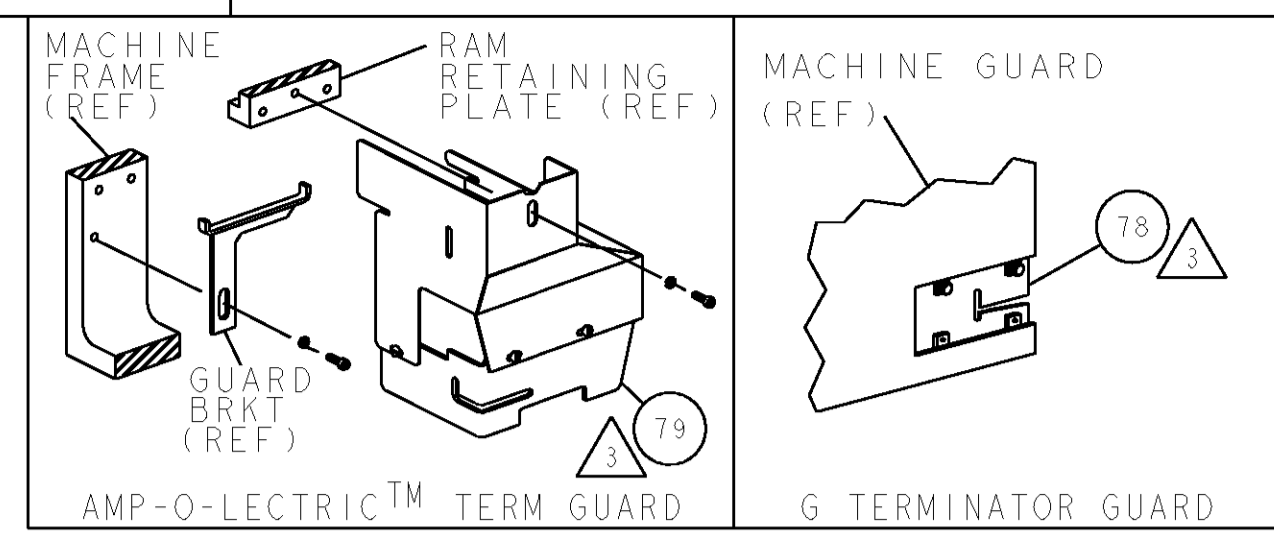


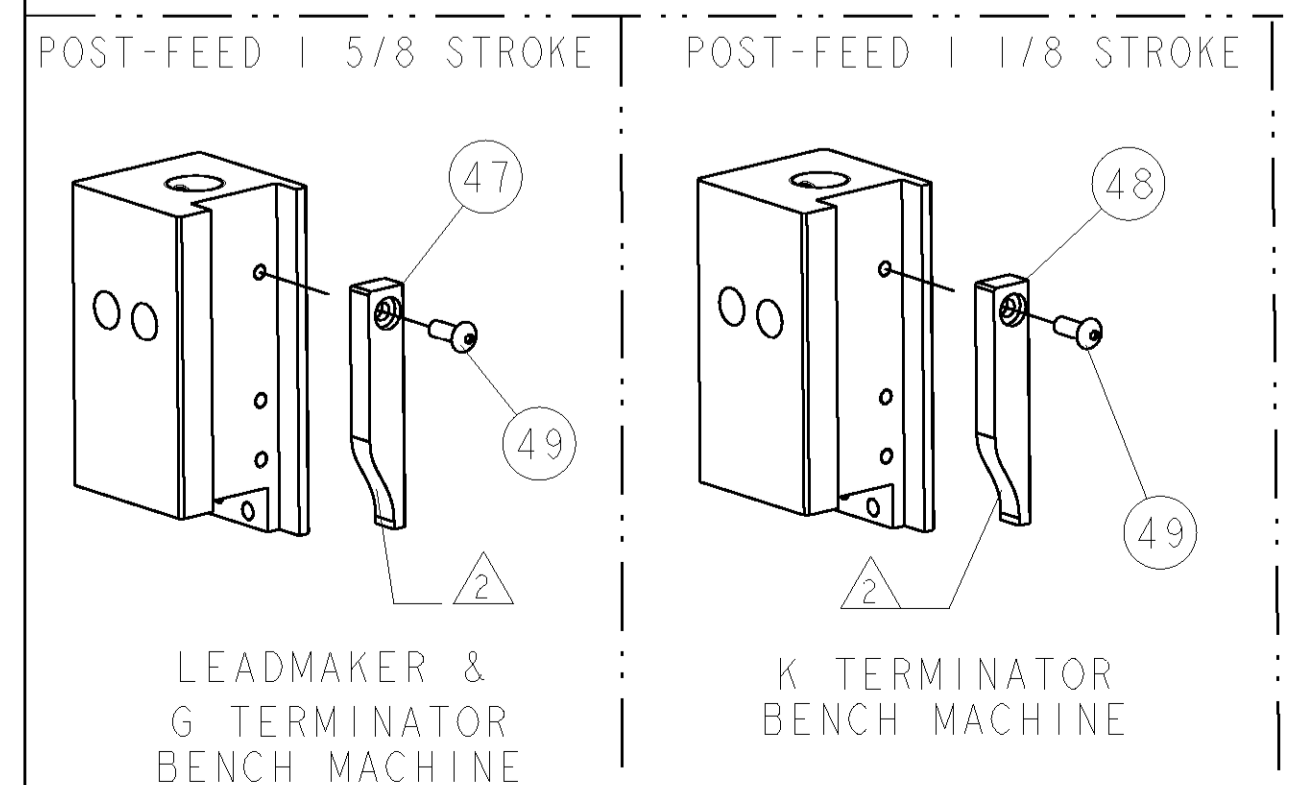
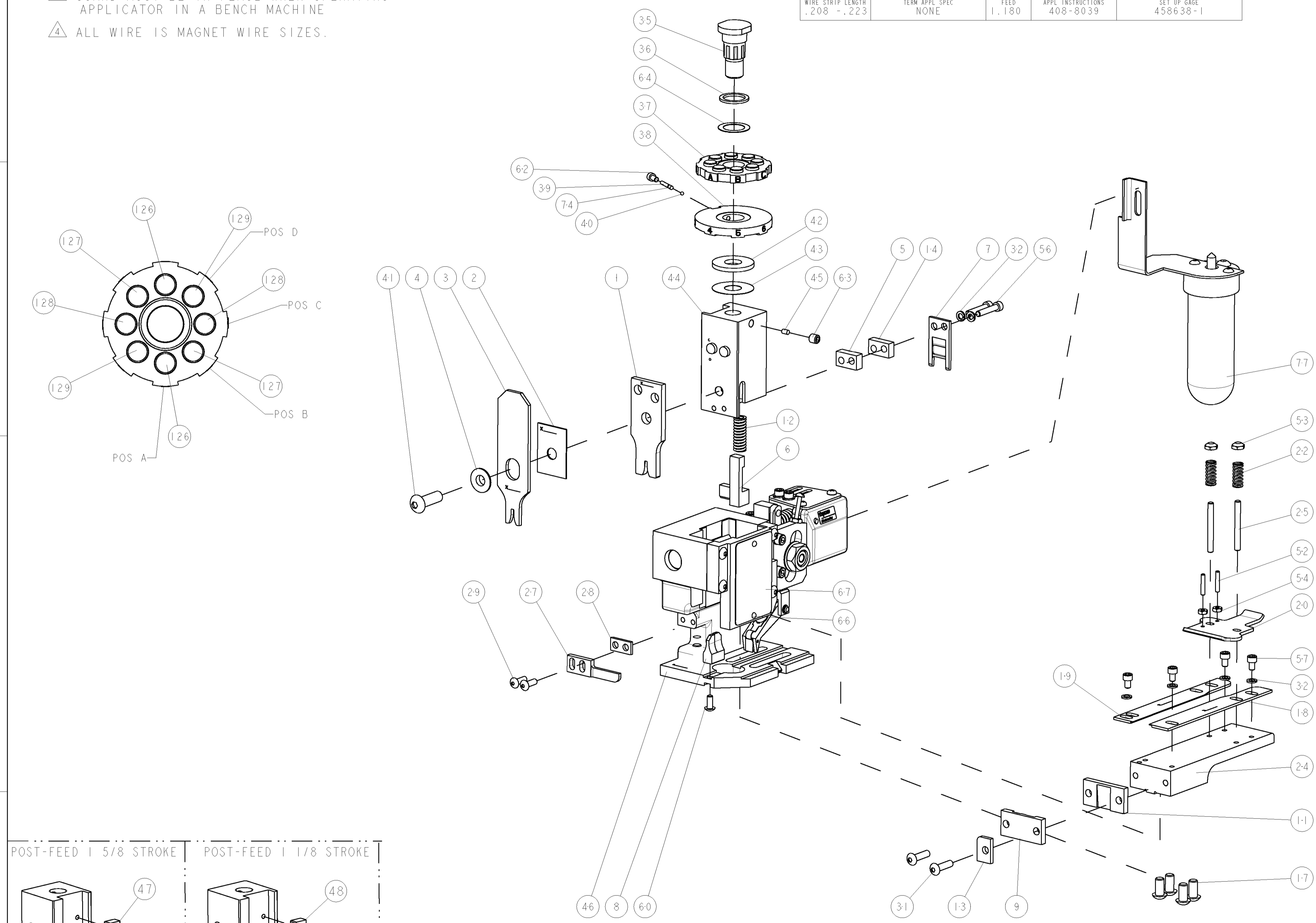
PART NUMBER	REV	FIRST USED	POWER UNIT	FEED TYPE
1852411-1	A	122500-1	LEADMAKER & BENCH MODEL G	POST FEED
1852411-2	A	565435-5	BENCH MODEL K	POST FEED
7-1852411-7	A	-	SPARE PARTS	-

- △ RECOMMENDED SPARE PARTS
- △ GREASE LIGHTLY
- △ GUARD MUST BE IN PLACE WHEN OPERATING APPLICATOR IN A BENCH MACHINE
- △ ALL WIRE IS MAGNET WIRE SIZES.



TERMINAL NAME: FASTIN-FASTON TAB W/INSULATION SUPPORT					
TYCO PN		AMP TERMINAL - AMP CRIMP SPECS			
141051-2	-				
		PAD LTR	CRIMP HEIGHT	WIRE SIZE ⁴	
-	-	A	.046±.002 [1.17±0.05mm]	(2)22 1/2 or 0.60mm2	
-	-	B	.044±.002 [1.12±0.05mm]	(2)23 3/4 or 0.52mm2	
-	-	C	.043±.002 [1.09±0.05mm]	(2)24 1/4 or 0.50mm2	
-	-	D	.042±.002 [1.07±0.05mm]	(2)24 1/2 or 0.48mm2	
		CRIMP	SIZE	TYPE	RANGE
-	-	WIRE	.080 [2.03mm]	F	(2)0.48mm-(2)0.6mm
-	-	INSUL	.100 [2.54mm]	F	∅.090 MAX
WIRE STRIP LENGTH	TERM APPL SPEC	FEED	APPL INSTRUCTIONS	SET UP GAGE	
.208 - .223	NONE	1.180	408-8039	458638-1	

LOC	DIST	REV	DESCRIPTION	DATE	BY	APPD
A	66		RELEASED	29MAR2007	BH	BH



-	2	2	-	5-354779-4	PIN, WIRE DISC, .3260	129
-	2	2	-	4-354779-9	PIN, WIRE DISC, .3235	128
-	2	2	-	4-354779-7	PIN, WIRE DISC, .3225	127
-	2	2	-	4-354779-0	PIN, WIRE DISC, .3190	126
-	1	1	-	2-21000-5	SCR, SKT HD CAP 8-32 X .250	86
-	REF	-	-	455745-1	GUARD WINDOW	79
-	-	REF	-	679532-1	INSERT, GUARD	78
-	1	-	-	465184-9	LUBRICATOR ASSY	77
-	1	1	-	690603-1	SPRING ASSIST AMP-O-MATOR APPLICATOR	74
-	1	1	-	217238-1	GENERAL INSTRUCTION PKG	72
-	1	1	-	4088039	EF APPL INST 408-8039	71
-	1	1	-	461264-1	PLATE, IDENTIFICATION	67
-	2	2	-	21017-2	SCREW, DRIVE	66
-	1	1	-	986950-1	WASHER, FLAT PRECISION	64
-	1	1	-	21009-2	SCR, SET, SELF LOCKING 1/4-20 X .250	63
-	1	1	-	23030-1	SCR, SKT HD CAP 6-32 X .25	62
-	1	1	-	22733-8	SCR, BHSC, SELF-LOCKING, 8-32 X .375	60
-	3	3	-	2-21000-5	SCR, SKT HD CAP 8-32 X .250	57
-	2	2	-	3-21000-0	SCR, SKT HD CAP 8-32 X .875	56
-	2	2	-	21018-4	NUT, HEX, REG 4-40	54
-	2	2	-	21022-2	NUT, LOCK, HEX, TORQUE, 8-32	53
-	2	2	-	2-21006-6	SCR, SET, CUP POINT 4-40 X .625	52
-	1	1	-	1-21002-7	SCR, BTN SKT CAP 6-32 X .375	49
-	1	-	-	690501-3	CAM, POST FEED, 1 1/8	48
-	-	1	-	690501-4	CAM, POST FEED, 1 5/8	47
-	1	1	-	458980-7	SUB ASSY, APPLICATOR FRAME	46
-	1	1	-	690191-1	PLUG, NYLON	45
-	1	1	-	455674-1	RAM	44
-	1	1	-	690125-1	SHIM SUB-ASSY	43
-	1	1	-	690124-1	WASHER, RAM (.115)	42
-	1	1	-	7-21002-9	SCR, BTN SKT HD CAP 5/16-24 X 1.00	41
-	1	1	-	23241-6	BALL, STEEL	40
-	1	1	-	690170-1	SPRING, COMPRESSION	39
-	1	1	-	690142-1	DISC, INSULATION	38
-	1	1	-	354777-1	WIRE DISC, ASSEMBLY	37
-	1	1	-	22480-5	SPRING, COMPRESSION	36
-	1	1	-	690212-1	POST, RAM	35
-	6	6	-	21024-4	WASHER, SPRG LOCK, REG NO 8	32
-	2	2	-	2-21002-9	SCR, BTN SKT HD CAP 10-32 X .750	31
-	2	2	-	2-21002-2	SCR, BTN SKT HD CAP 8-32 X .500	29
-	1	1	-	1-690451-1	SPACER, STRIPPER	28
-	1	1	-	240639-1	STRIPPER (MACHINING)	27
-	2	2	-	22354-8	STUD, THREADED	25
-	1	1	-	455678-1	PLATE, STRIP GUIDE	24
-	2	2	-	4-22281-1	SPRING, DRAG	22
-	1	1	-	454177-1	DRAG	20
-	1	1	-	1-458030-2	STRIP GUIDE, REAR	19
-	1	1	-	1-458031-2	STRIP GUIDE, FRONT	18
-	4	4	-	3-21002-3	SCR, BTN SKT HD CAP 1/4-20 X .500	17
-	1	1	-	6-240641-5	SPACER	14
-	1	1	-	690481-5	SPACER, HOLD DOWN	13
-	1	1	-	23846-1	SPRING, DIE	12
-	1	1	-	240644-1	PLATE, REAR SHEAR	11
-	1	1	-	690482-3	PLATE, FRONT SHEAR	9
-	1	1	-	1-1633248-0	ANVIL, COMBINATION	8
-	1	1	-	690474-3	BLADE, SLUG	7
-	1	1	-	6-455892-3	HOLD DOWN, TERMINAL	6
-	1	1	-	4-240641-5	SPACER	5
-	1	1	-	3-238009-5	BLOCK, FL CRIMPER SPACER	4
-	1	1	-	4-683453-7	CRIMPER, INSULATION PREMIUM	3
-	1	1	-	455888-8	SPACER, CRIMPER	2
-	1	1	-	456405-3	CRIMPER, WIRE PREMIUM	1

ITEM NO	U/M	PART NO	DESCRIPTION
-77	-2	-1	U/M PART NO DESCRIPTION ITEM NO

X-ON Electronics

Largest Supplier of Electrical and Electronic Components

Click to view similar products for [Hand Tools](#) category:

Click to view products by [TE Connectivity](#) manufacturer:

Other Similar products are found below :

[58284-1](#) [662908-1](#) [68764-0001](#) [690619-6](#) [7-354778-7](#) [768531-1](#) [821903-5](#) [822253-1](#) [854183-1](#) [854358-1](#) [992258-1](#) [1-21046-3](#) [1-22145-3](#)
[1-22278-0](#) [1-22278-2](#) [1-24954-2](#) [125529-5](#) [126513-1](#) [1320846-1](#) [1338618-1](#) [1338968-2](#) [1-354779-0](#) [1-354779-2](#) [1-354779-4](#) [1424443-1](#)
[1424266-1](#) [1424289-1](#) [1424444-1](#) [MS24256A16](#) [1-525442-0](#) [1532195-2](#) [1538773-2](#) [1-59681-8](#) [1-59907-5](#) [1-692134-3](#) [1725760-1](#) [HT-](#)
[920A-124-HTELE-RPL-KIT](#) [1976923-1](#) [1976969-1](#) [2063794-1](#) [2063795-1](#) [2-21002-1](#) [2-21002-3](#) [2-21002-4](#) [2-21002-7](#) [2-21002-9](#) [2-21004-](#)
[0](#) [229399-2](#) [229707-1](#) [911737-2](#)