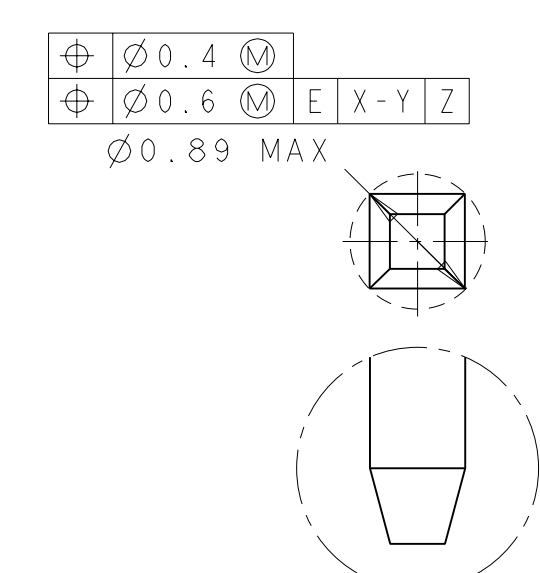
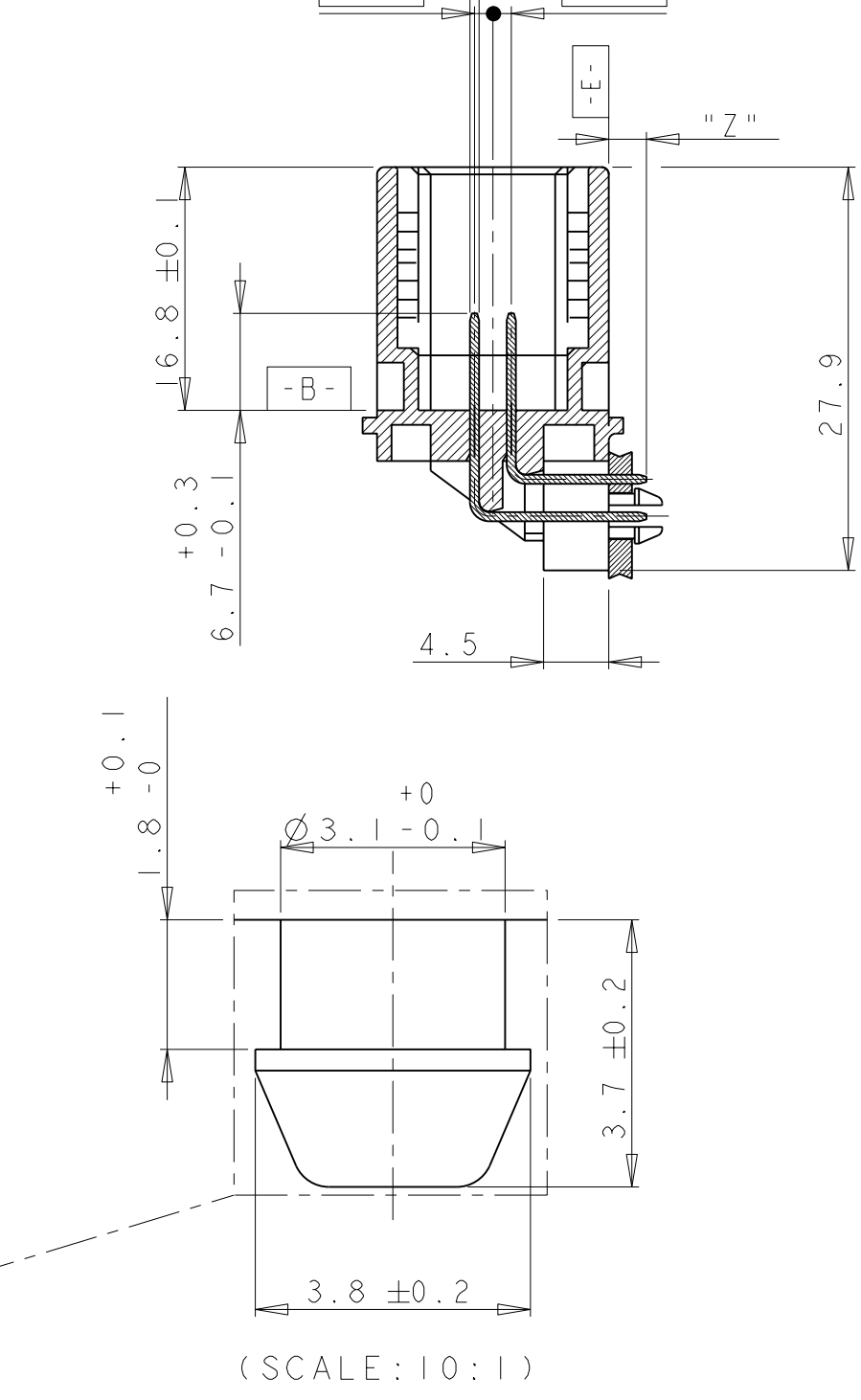
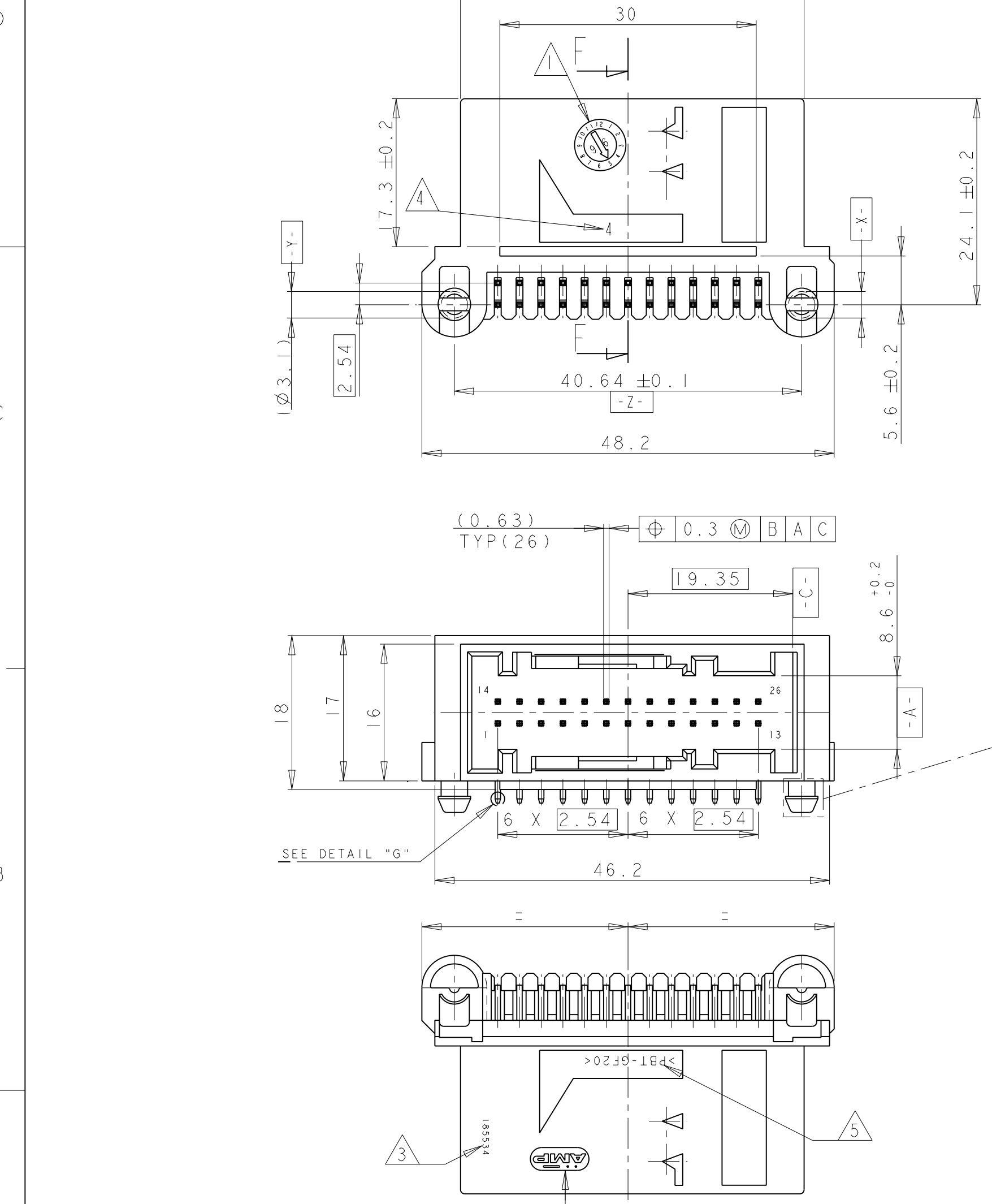
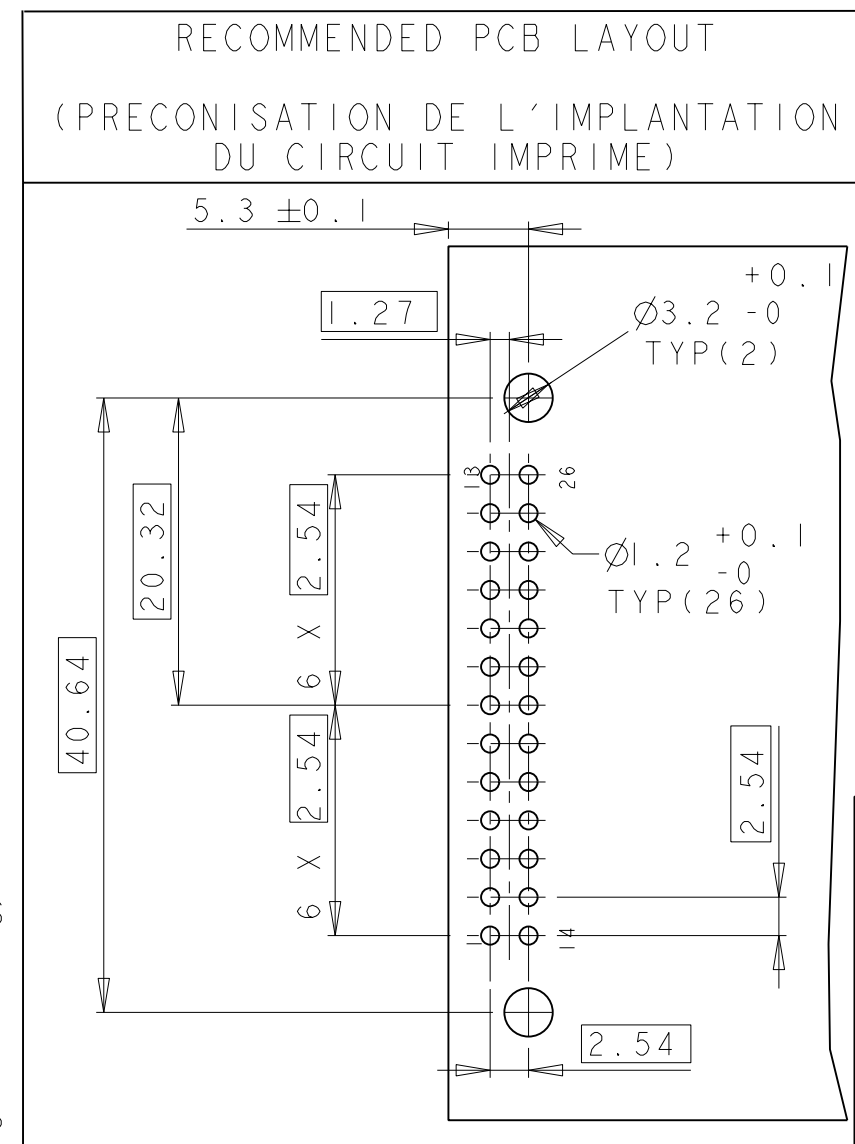


LOC	DIST	REVISIONS					
F	00	P	LTR	DESCRIPTION	DATE	DWN	APVD
		A		MISE A JOUR	07-AUG-96	NT	-
		B		NEW REFERENCES ADDED	15-NOV-96	NT	-
		C		LEAD REMOVED	05-FEB-08	MV	-



	BLUE (bleu)	3.5 ± 0.2	185534-4
	YELLOW (jaune)	2.6 ± 0.2	185534-2
	YELLOW (jaune)	3.5 ± 0.2	185534-3
	YELLOW (jaune)	2.6 ± 0.2	185534-1
CODING (Detrompage)	COLOR (Couleur)	"Z"	P/N ASS'Y (reference-assemble)



- NOTES:
- |   |  |                                    |
|---|--|------------------------------------|
| 1 | DATE CODE                                | DATE CODE                          |
| 2 | "AMP" LOGO                               | LOGO D' "AMP"                      |
| 3 | TYCO ELECTRONICS PART NUMBER             | REFERENCE PRODUIT TYCO ELECTRONICS |
| 4 | MOLD CAVITY MARKING                      | N° EMPREINTE MOULE                 |
| 5 | MATERIAL REFERENCE                       | REFERENCE MATIERE                  |
| 6 | DIMENSIONS REQUIRED FOR CONNECTOR MATING | ZONE LIBRE POUR MONTAGE PORTE CLIP |

PBT 20% GLASS FIBER (PBT 20% FIBRE DE VERRE)	COPPER ALLOY (ALLIAGE CUIVRE)	TIN OVER NICKEL (ETAIN SUR SOUS-COUCHE NICKEL)
HOUSING MATERIAL (MATIERE EMBASE)	PIN MATERIAL (MATIERE CONTACT)	PIN FINISH (FINITION CONTACT)
THIS DRAWING IS A CONTROLLED DOCUMENT FOR TYCO ELECTRONICS CORPORATION IT IS SUBJECT TO CHANGE AND THE CONTROLLING ENGINEERING ORGANIZATION SHOULD BE CONTACTED FOR THE LATEST REVISION.		
DIMENSIONS: mm	TOLERANCES UNLESS OTHERWISE SPECIFIED:	DWN T NGUYEN 29-FEB-96 CHK J LAQUERBE 28-NOV-96 APVD JJ REVII 28-NOV-96 PRODUCT SPEC 108-15140 APPLICATION SPEC - WEIGHT - MATERIAL SEE TABLE FINISH ±5°
Tyco Electronics France SAS 95300 Pontoise, France		NAME: HEADER ASSY, 26 POSN, MQS, RIGHT ANGLE WITH BOARD-LOCK EMBASE ASSEMBLEE, 26 POSITIONS, MQS, COUDEE AVEC BOARD-LOCK SIZE: A2 CAGE CODE: 00779 DRAWING NO: C-185534 RESTRICTED TO: - SCALE: 2:1 SHEET: 1 OF 1 REV: C
CUSTOMER DRAWING		

## X-ON Electronics

Largest Supplier of Electrical and Electronic Components

*Click to view similar products for [Automotive Connectors](#) category:*

*Click to view products by [TE Connectivity](#) manufacturer:*

Other Similar products are found below :

[003-018-000](#) [60403001](#) [60993906-B](#) [M902-2131](#) [M902-2161](#) [72.330.1035.1](#) [73.353.4028.0](#) [F119300-B](#) [F166900](#) [F258300-B](#) [F358300-B](#)  
[F407400](#) [F444110](#) [F487000](#) [F509500B-B](#) [827153-1](#) [8N1515-32-24P](#) [9-1326729-8](#) [925474-1](#) [928905-1](#) [964562-4](#) [968782-1](#) [GT17SA-8DS-](#)  
[HU](#) [98891-1012](#) [98947-1016](#) [12004147](#) [12004475-L](#) [12010290](#) [12010309-B](#) [12015454](#) [12020219-B](#) [12020308](#) [12041318-B](#) [12052225-L](#)  
[12052466](#) [12059125](#) [12064869](#) [12004327-B](#) [12010503-B](#) [12015308](#) [12015384](#) [12015909](#) [1-21030-1](#) [12041254](#) [12041318](#) [12047946-B](#)  
[12047957](#) [12047957-L](#) [12059473](#) [12066261](#)