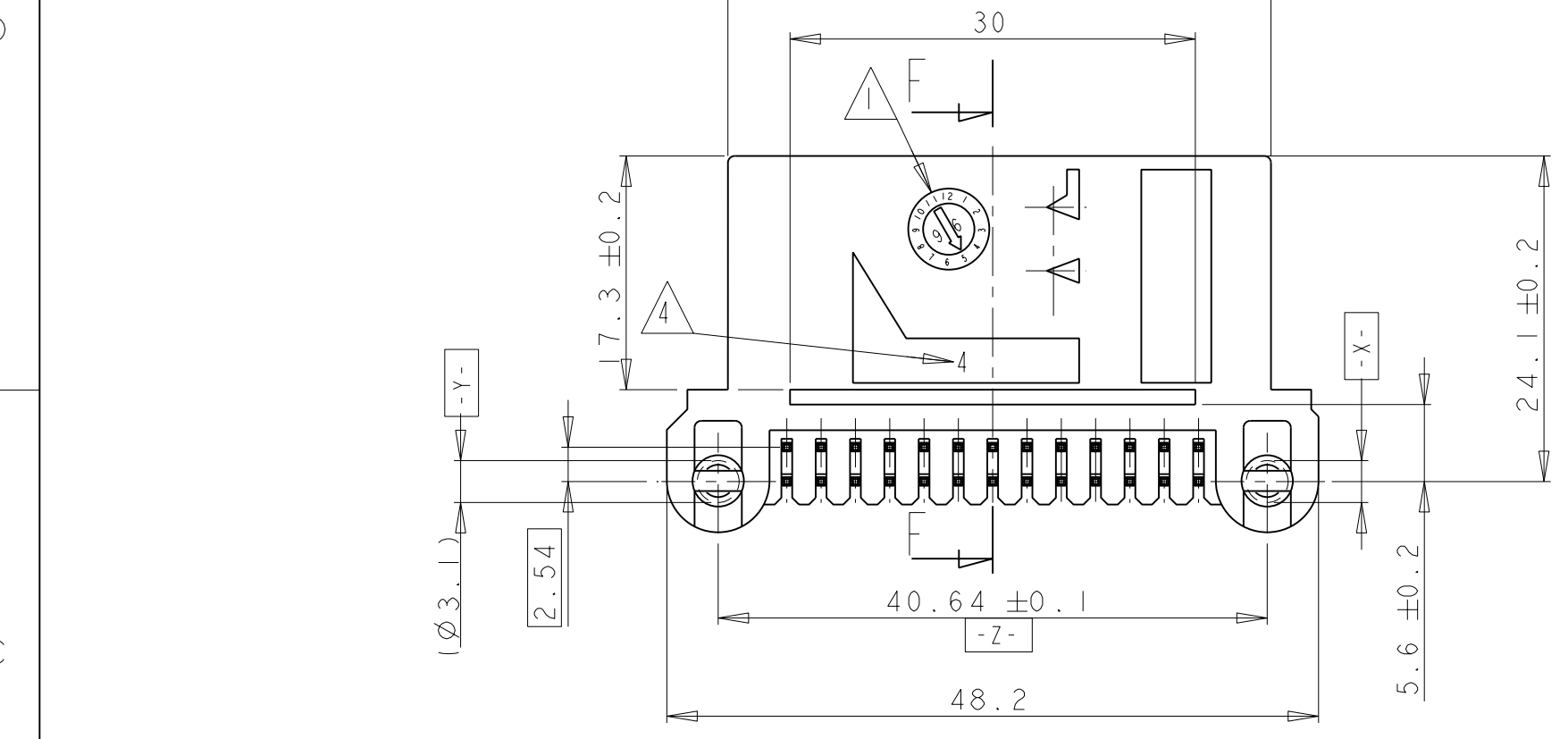
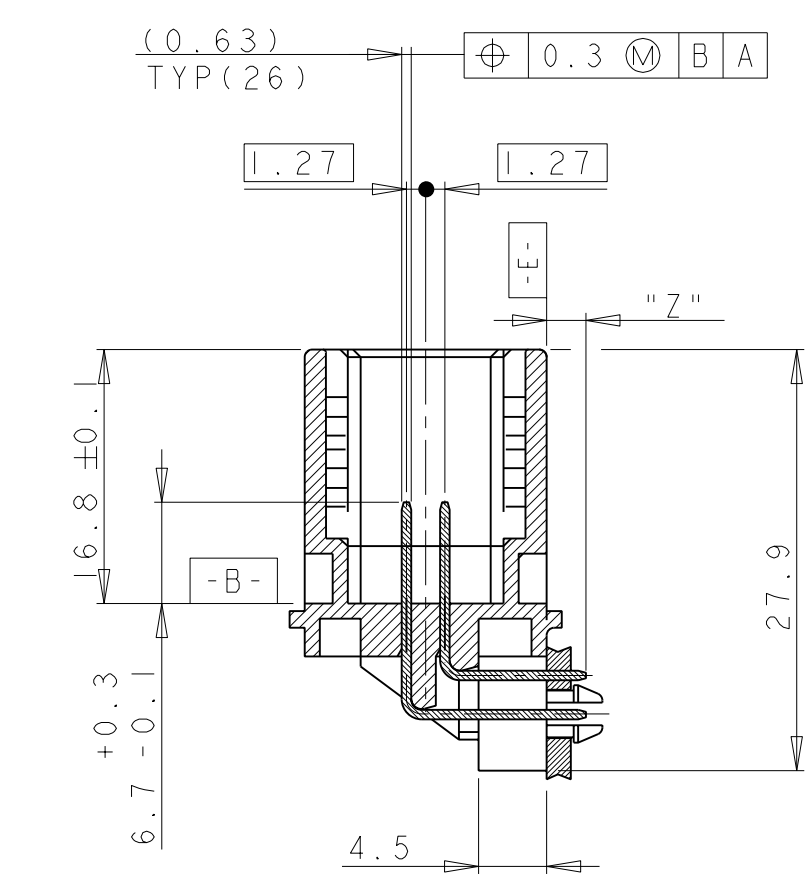


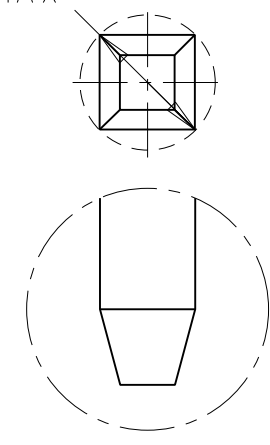
LOC	DIST	REVISIONS			
P	LTR	DESCRIPTION	DATE	DWN	APVD
A		MISE A JOUR	07-AUG-96	NT	-
B		NEW REFERENCES ADDED	15-NOV-96	NT	-
C		LEAD REMOVED	05-FEB-08	MV	-



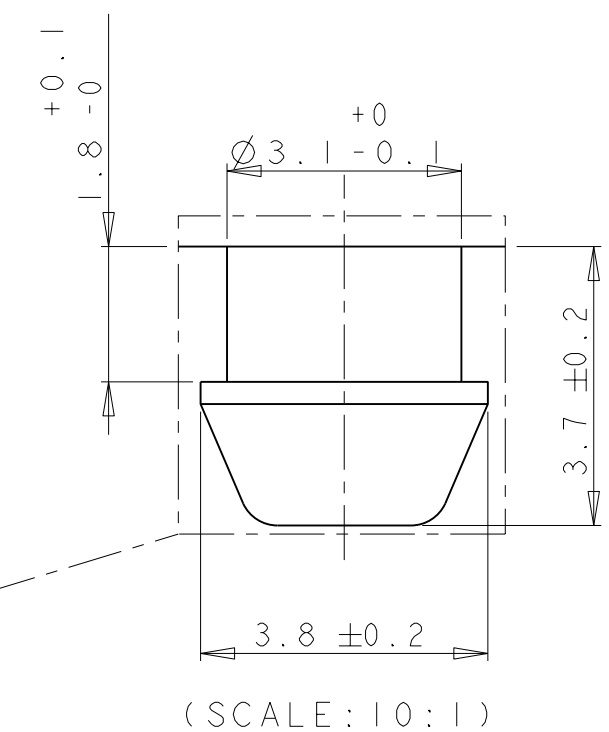
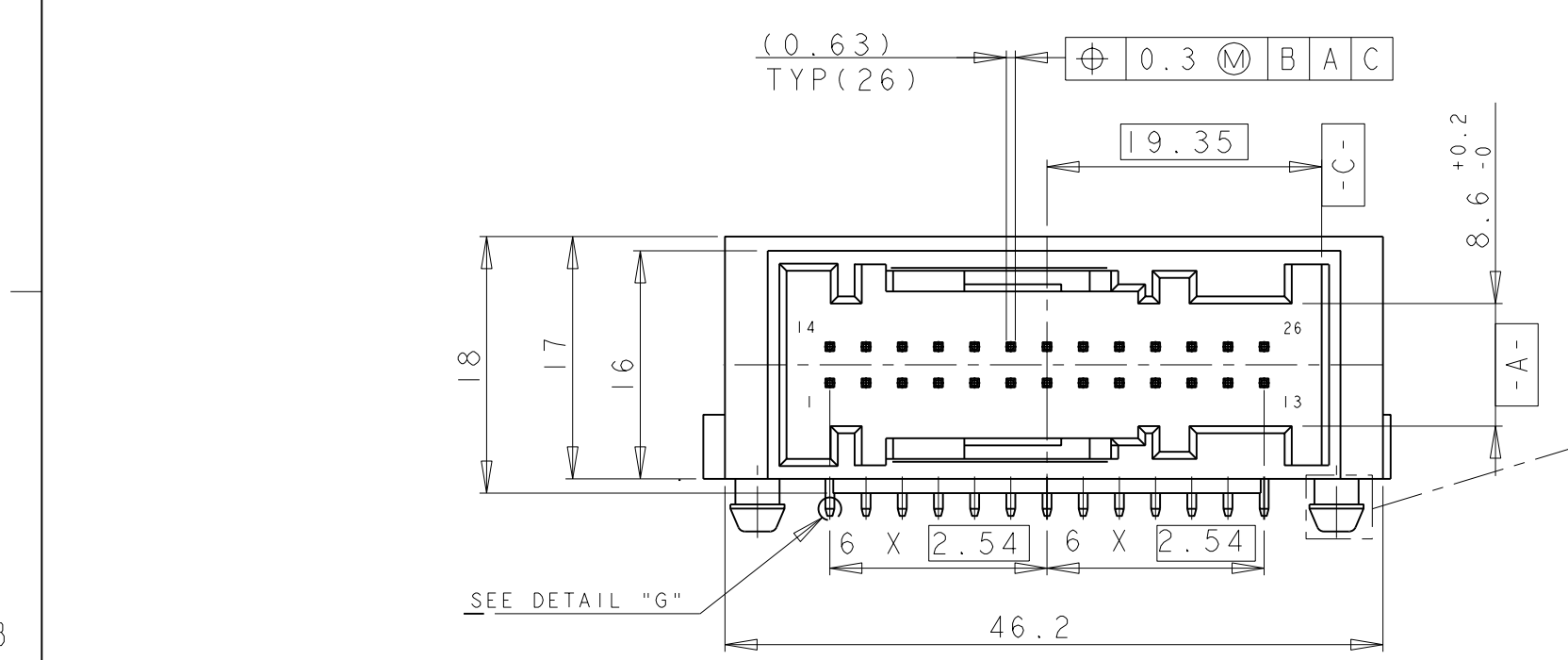
SECTION F-F



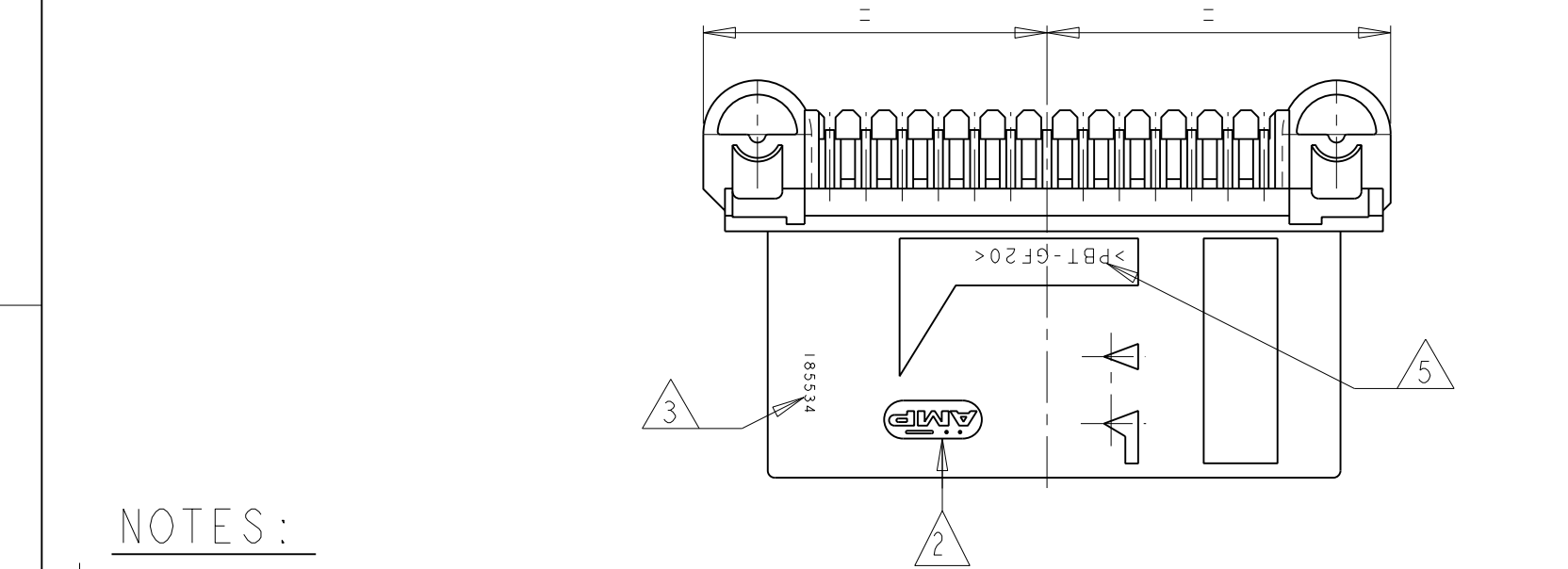
⊕	∅ 0.4	M
⊕	∅ 0.6	M E X-Y Z
∅ 0.89 MAX		



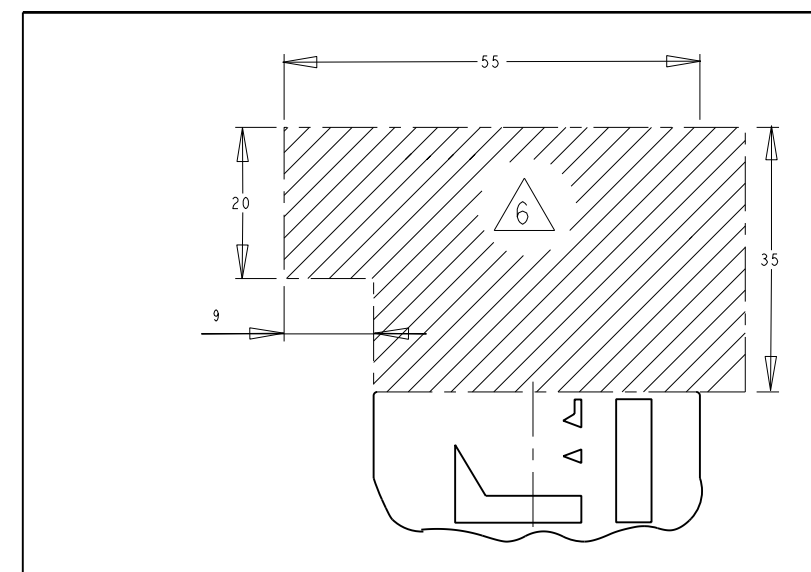
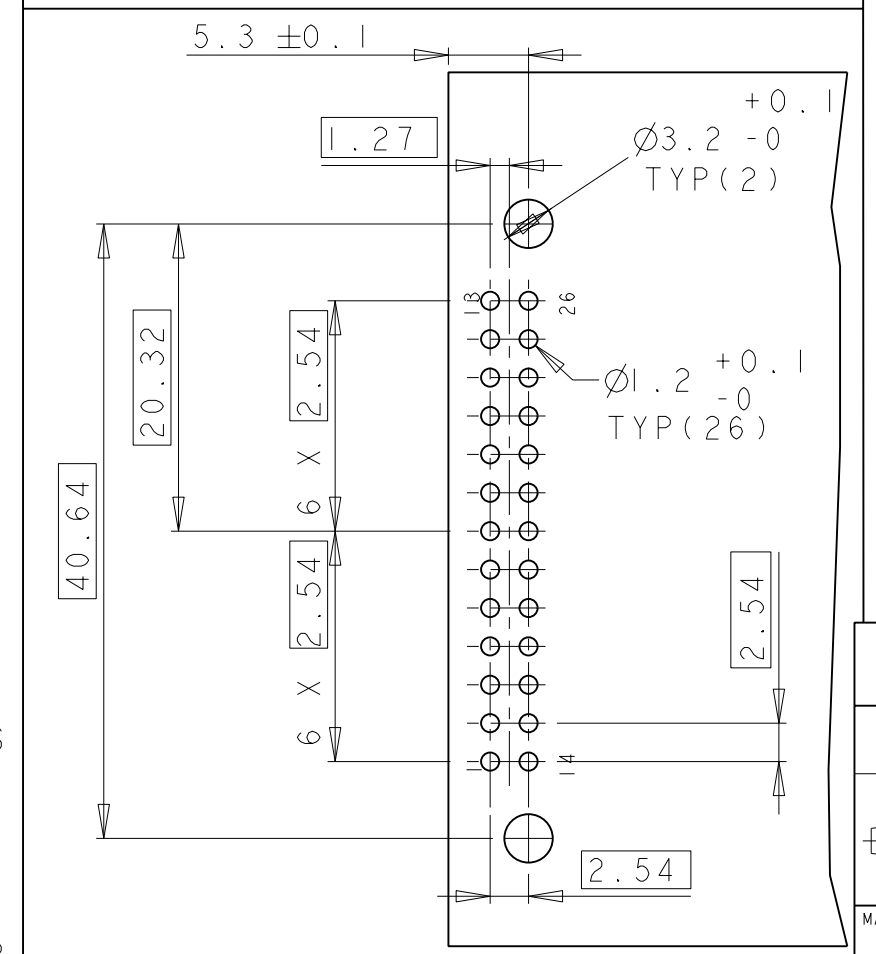
DETAIL G
(SCALE: 20:1)



(SCALE: 10:1)



RECOMMENDED PCB LAYOUT
(PRECONISATION DE L'IMPLANTATION DU CIRCUIT IMPRIME)



	BLUE (bleu)	3.5 ± 0.2	185534-4
		2.6 ± 0.2	185534-2
	YELLOW (jaune)	3.5 ± 0.2	185534-3
		2.6 ± 0.2	185534-1
CODING (Detrompage)	COLOR (Couleur)	"Z"	P/N ASS'Y (reference-assemble)

PBT 20% GLASS FIBER (PBT 20% FIBRE DE VERRE)	COPPER ALLOY (ALLIAGE CUIVRE)	TIN OVER NICKEL (ETAIN SUR SOUS-COUCHE NICKEL)
HOUSING MATERIAL (MATIERE EMBASE)	PIN MATERIAL (MATIERE CONTACT)	PIN FINISH (FINITION CONTACT)

NOTES:

- | | |
|--|------------------------------------|
| ① DATE CODE | DATE CODE |
| ② "AMP" LOGO | LOGO D' "AMP" |
| ③ TYCO ELECTRONICS PART NUMBER | REFERENCE PRODUIT TYCO ELECTRONICS |
| ④ MOLD CAVITY MARKING | N° EMPREINTE MOULE |
| ⑤ MATERIAL REFERENCE | REFERENCE MATIERE |
| ⑥ DIMENSIONS REQUIRED FOR CONNECTOR MATING | ZONE LIBRE POUR MONTAGE PORTE CLIP |

THIS DRAWING IS A CONTROLLED DOCUMENT FOR TYCO ELECTRONICS CORPORATION IT IS SUBJECT TO CHANGE AND THE CONTROLLING ENGINEERING ORGANIZATION SHOULD BE CONTACTED FOR THE LATEST REVISION.		DWN T NGUYEN 29-FEB-96	Tyco Electronics France SAS 95300 Pontoise, France	
DIMENSIONS: mm		CHK J LAQUERBE 28-NOV-96	NAME HEADER ASSY, 26 POSN, MQS, RIGHT ANGLE WITH BOARD-LOCK	
TOLERANCES UNLESS OTHERWISE SPECIFIED:		APVD JJ REVII 28-NOV-96	EMBASE ASSEMBLEE, 26 POSITIONS, MQS, COUDEE AVEC BOARD-LOCK	
0 PLC ±	1 PLC ±	PRODUCT SPEC 108-15140	SIZE A2	CAGE CODE 00779
2 PLC ±0.3	3 PLC ±	APPLICATION SPEC	DRAWING NO C-185534	RESTRICTED TO
4 PLC ±	ANGLES ±5°	FINISH	WEIGHT -	SHEET 1 OF 1
MATERIAL SEE TABLE		CUSTOMER DRAWING		REV C

X-ON Electronics

Largest Supplier of Electrical and Electronic Components

Click to view similar products for [Automotive Connectors](#) category:

Click to view products by [TE Connectivity](#) manufacturer:

Other Similar products are found below :

[003-018-000](#) [60403001](#) [60993906-B](#) [M902-2131](#) [M902-2161](#) [72.330.1035.1](#) [73.353.4028.0](#) [F119300-B](#) [F166900](#) [F258300-B](#) [F358300-B](#)
[F407400](#) [F444110](#) [F487000](#) [F509500B-B](#) [827153-1](#) [8N1515-32-24P](#) [9-1326729-8](#) [925474-1](#) [928905-1](#) [964562-4](#) [968782-1](#) [GT17SA-8DS-](#)
[HU](#) [98891-1012](#) [98947-1016](#) [12004147](#) [12004475-L](#) [12010290](#) [12010309-B](#) [12015454](#) [12020219-B](#) [12020308](#) [12041318-B](#) [12052225-L](#)
[12052466](#) [12059125](#) [12064869](#) [12004327-B](#) [12010503-B](#) [12015308](#) [12015384](#) [12015909](#) [1-21030-1](#) [12041254](#) [12041318](#) [12047946-B](#)
[12047957](#) [12047957-L](#) [12059473](#) [12066261](#)