

THIS DRAWING IS UNPUBLISHED.
DIFFUSION RESTREINTE AMP

RELEASED FOR PUBLICATION
LIBRE A LA DIFFUSION

ALL RIGHTS RESERVED.
TOUS DROITS RESERVES

© COPYRIGHT - TE Connectivity

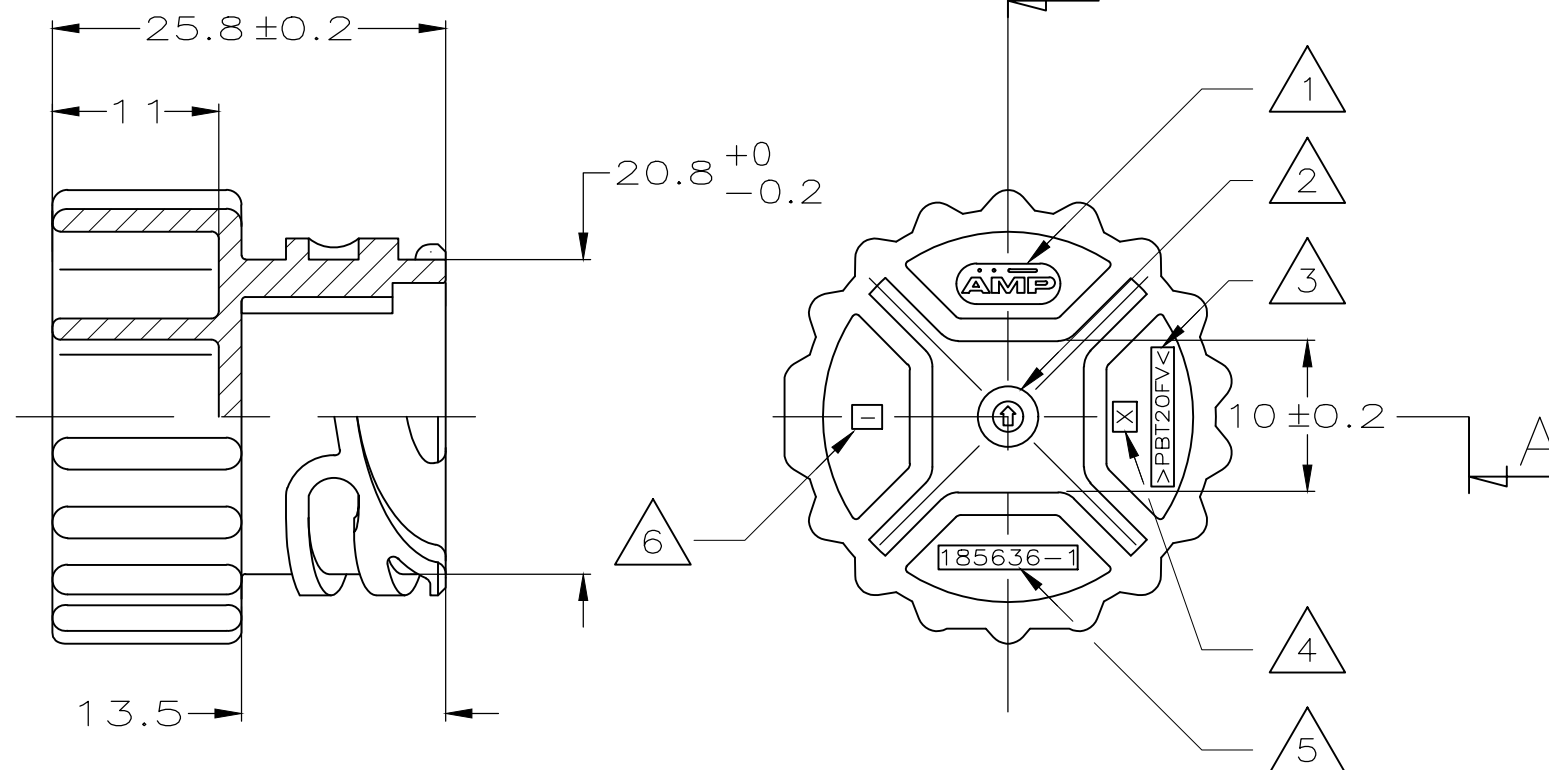
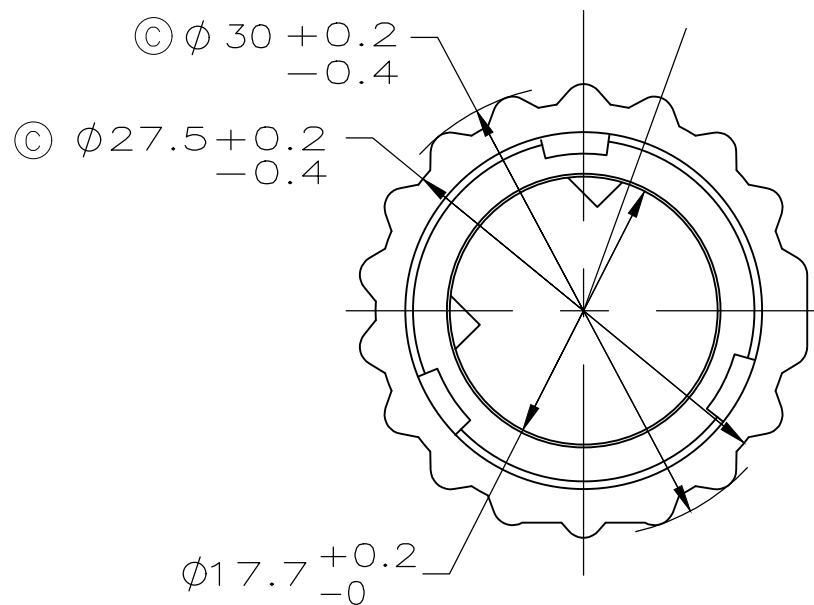
DIST

7

REVISIONS


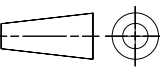
P	LTR REV	DESCRIPTION MODIFICATIONS	DATE	DWN DESS.	APVD APP.
	A	UPDATE OF RING DESIGN	14JAN1997	RB	-
	B	ADD ENGLISH TRANSLATION	18JAN2011	CS	JPP
	C	TOLERANCE UPDATE	12OCT2017	ASB	SA

SECTION A-A
SECTION A-A



NOTES

- 1 MARQUAGE LOGO
LOGO MARKING
- 2 DATEUR
DATE CODE
- 3 MARQUAGE MATIERE
MATERIEL MARKING
- 4 REPERE D'EMPREINTE
CAVITY NUMBER
- 5 MARQUAGE REF. TE
PART NUMBER MARKING
- 6 INDICE DE REVISION PRODUIT
PART REVISION CODE

THIS DRAWING IS A CONTROLLED DOCUMENT. CE SCHÉMA EST UN DOCUMENT CONTROLÉ		DWN/DESSINE D.BENOIT 11MAR1996	 TE Connectivity		
DIMENSIONS: mm		CHK/VERIFIE R.BONNET 05FEB1997			
TOLERANCES UNLESS OTHERWISE SPECIFIED: TOLERANCES NON SPECIFIEES (SUIV NB DE DECIMALES):		APVD/APPROUVE JJ.REVIL 05FEB1997	NAME TITRE OBTURATEUR DE PORTE-DOUILLE DIA2.5MM OBTURATOR OF CARRY-CASING DIA2.5MM		
 0 PLC/DEC: ± - 1 PLC/DEC: ± - 0.3 2 PLC/DEC: ± - 3 PLC/DEC: ± - 4 PLC/DEC: ± - ANGLES ±5°		PRODUCT SPEC SPEC. PRODUIT -	SIZE FORMAT A3		
MATERIAL MATIERE PBT 20 FV		APPLICATION SPEC SPEC. APPLICATION -	CAGE CODE 00779	DRAWING NO No PLAN C-185636	RESTRICTED TO RESERVE A -
FINISH FINITION NOIR BLACK		WEIGHT MASSE APPROX. -	UNIQUEMENT POUR REFERENCE		SCALE ECHELLE 2:1
CUSTOMER DRAWING/PLAN CLIENT			SHEET FEUILLE 1 OF 1	REV C	

X-ON Electronics

Largest Supplier of Electrical and Electronic Components

Click to view similar products for [Headers & Wire Housings](#) category:

Click to view products by [TE Connectivity](#) manufacturer:

Other Similar products are found below :

[892-18-020-10-001101](#) [58102-G61-06LF](#) [582553-1](#) [0009485154](#) [009176003701906](#) [0050291907](#) [LY20-4P-DT1-P1E-BR](#) [02.125.8002.8](#)
[609-3404](#) [61062-3](#) [61082-181009](#) [622-3653LF](#) [63453-116](#) [636-1030](#) [636-1427](#) [636-3427](#) [636-4007](#) [641938-9](#) [641991-4](#) [644827-2](#) [65817-010LF](#) [65817-015LF](#) [65863-015LF](#) [66207-023LF](#) [67095-007LF](#) [67601157](#) [68645-018](#) [68648-049](#) [70.362.1628.0](#) [70-4210](#) [70-4226B](#) [70-4853B](#) [707-5020](#) [707-5028](#) [71.350.2428.0](#) [71918-208LF](#) [71961-016LF](#) [733-134](#) [733-162](#) [754199-000](#) [760-3052](#) [787-8014-00](#) [79531-3000](#)
[FCN-360C032-B](#) [FCN-367T-T012/H](#) [FCN-723D010/2](#) [80.063.4001.1](#) [800-90-001-10-001000](#) [800-90-010-10-002000](#) [801-43-002-10-013000](#)