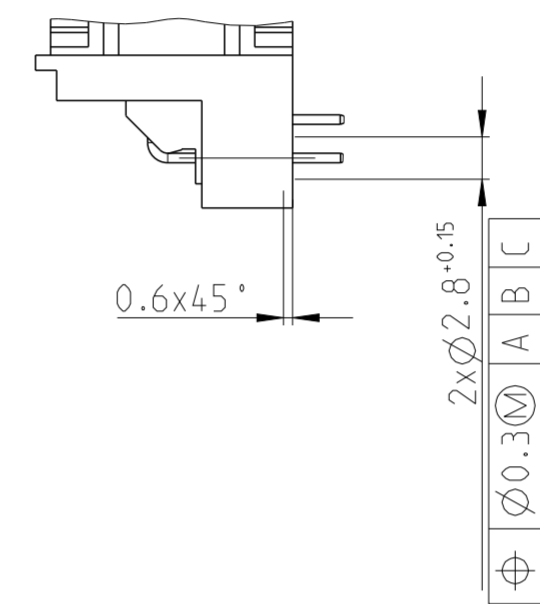
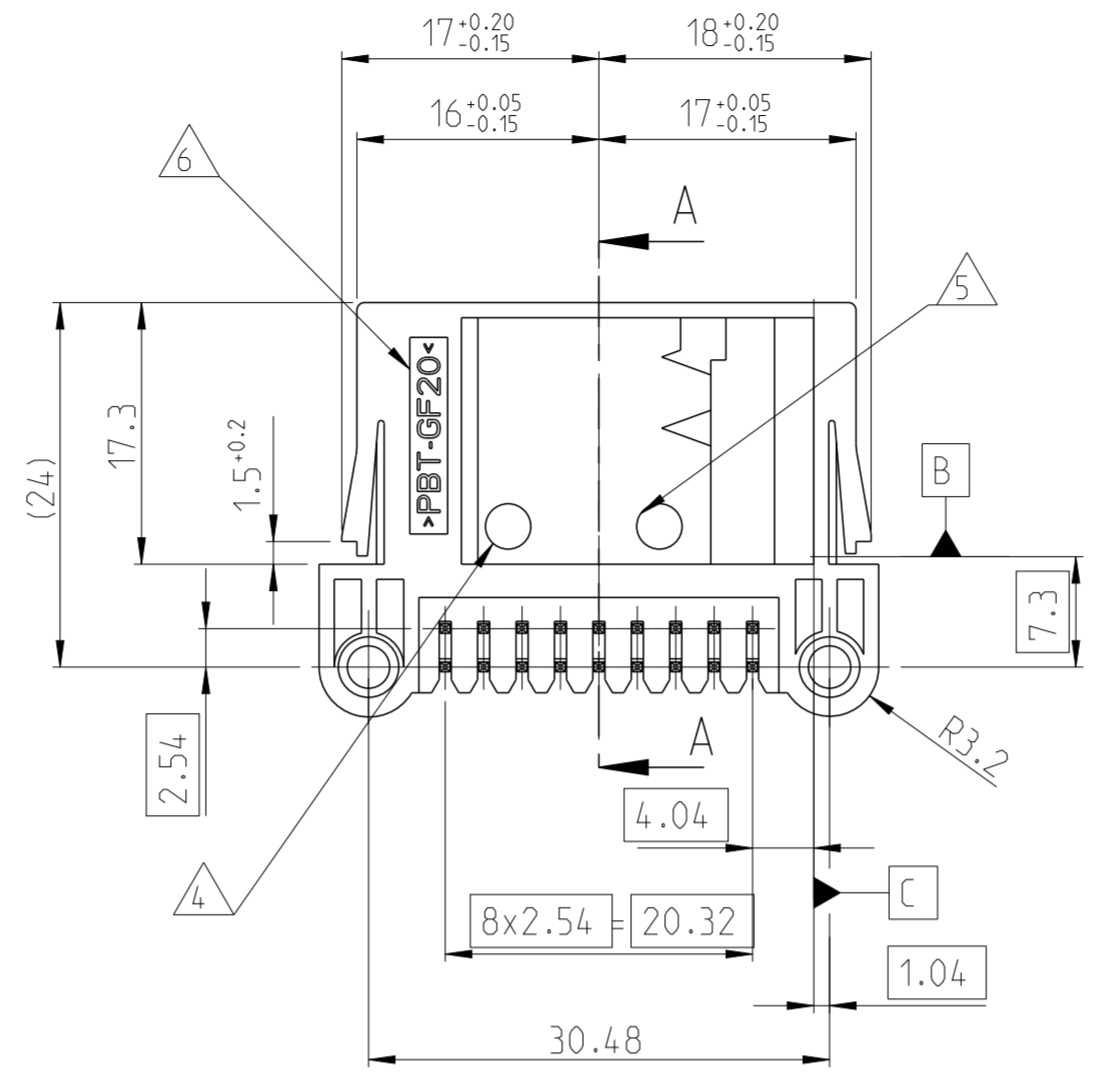
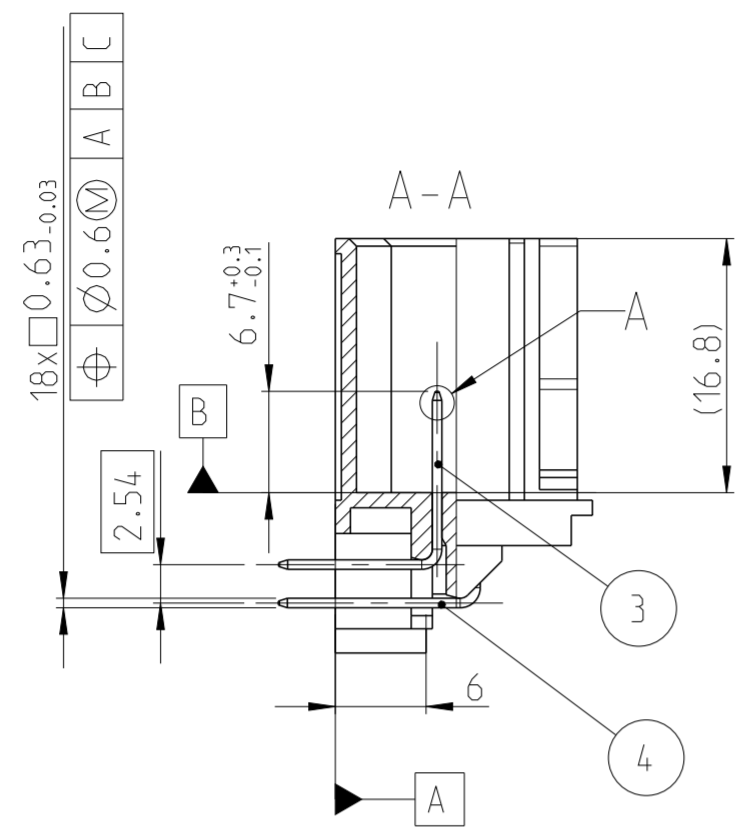
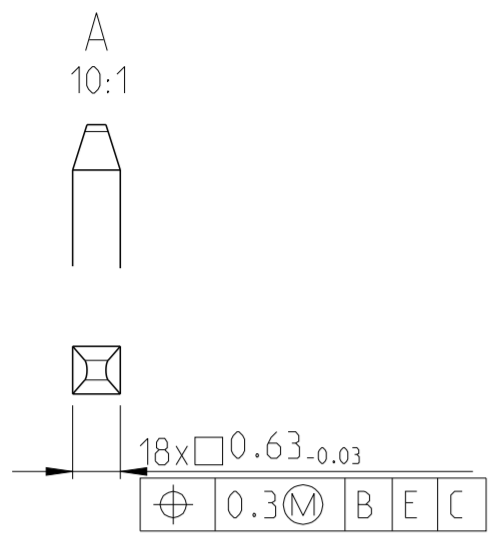


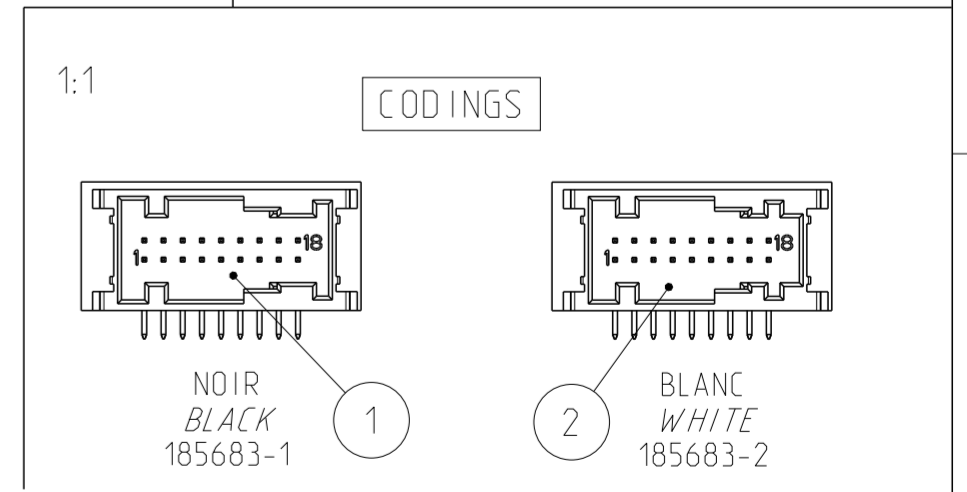
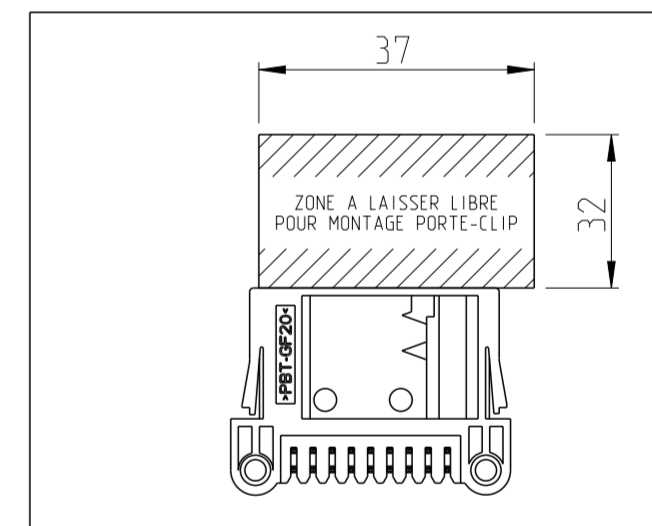
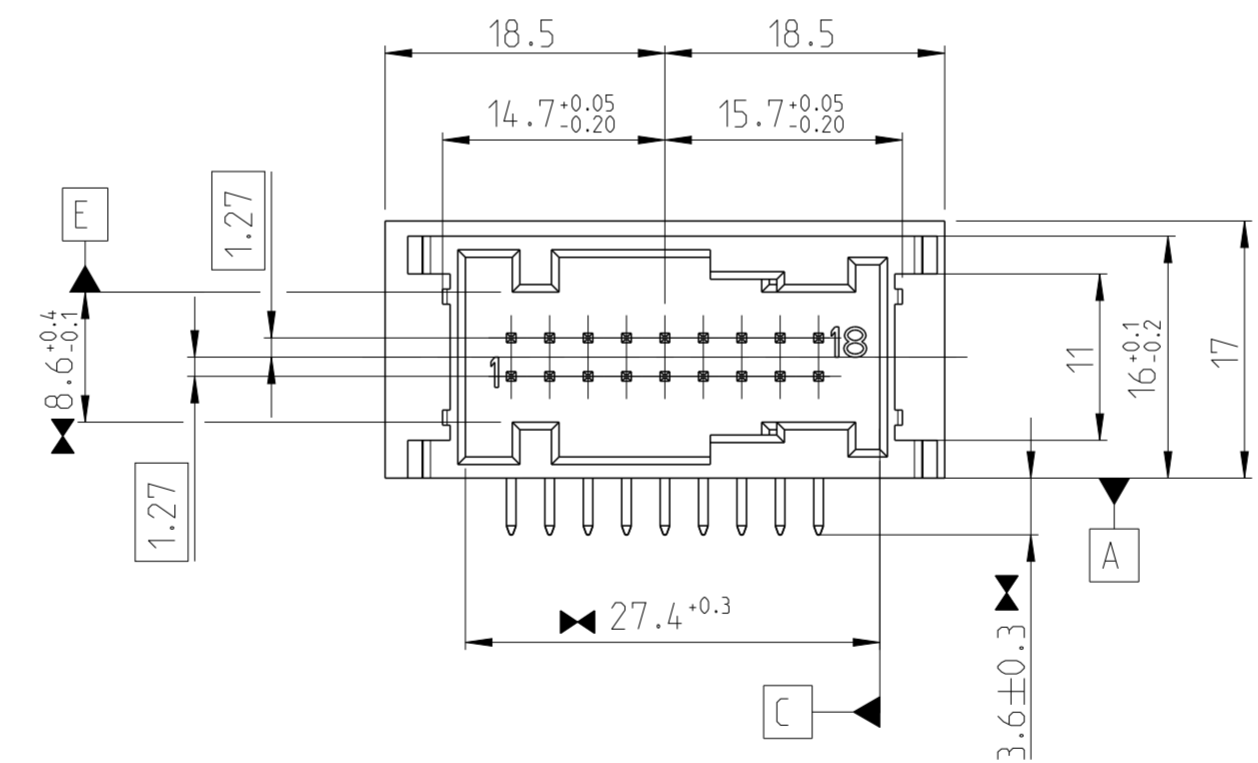
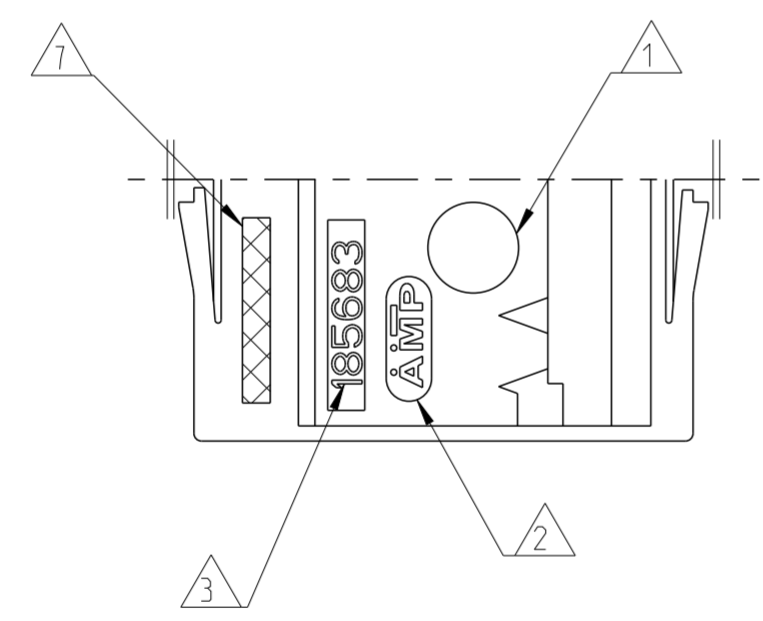
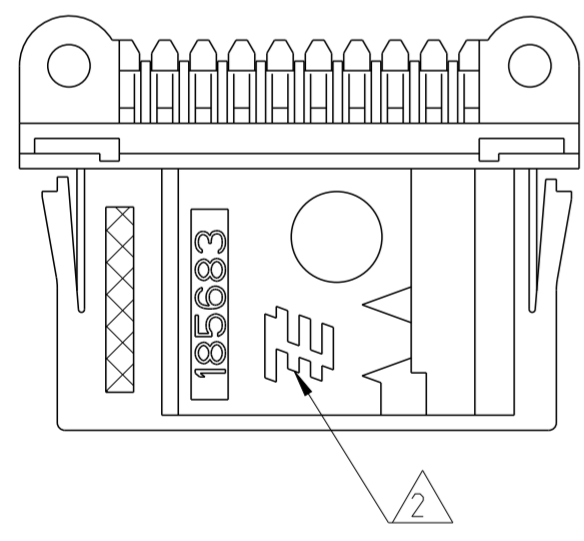
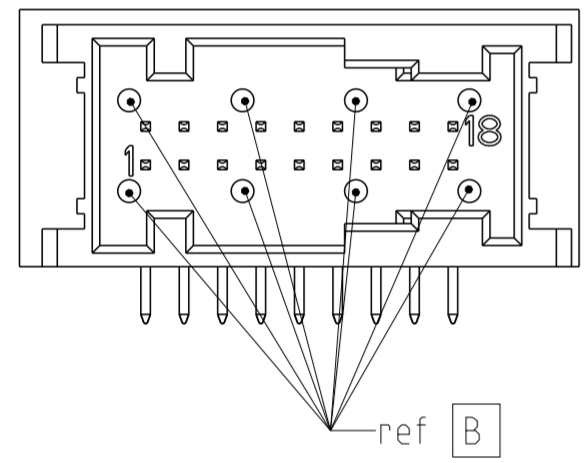
THIS DRAWING IS UNPUBLISHED. RELEASED FOR PUBLICATION 20
 © COPYRIGHT 20 BY - ALL RIGHTS RESERVED.

LOC		DIST		REVISIONS			
P	LTR	DESCRIPTION	DATE	DWN	APVD		
E		ADD VIEW "OTHER FORM POSSIBLE"	07AUG2012	SG	JL		
F		MODIFY PRODUCT SPEC NUMBER	19MAR2013	SG	JL		



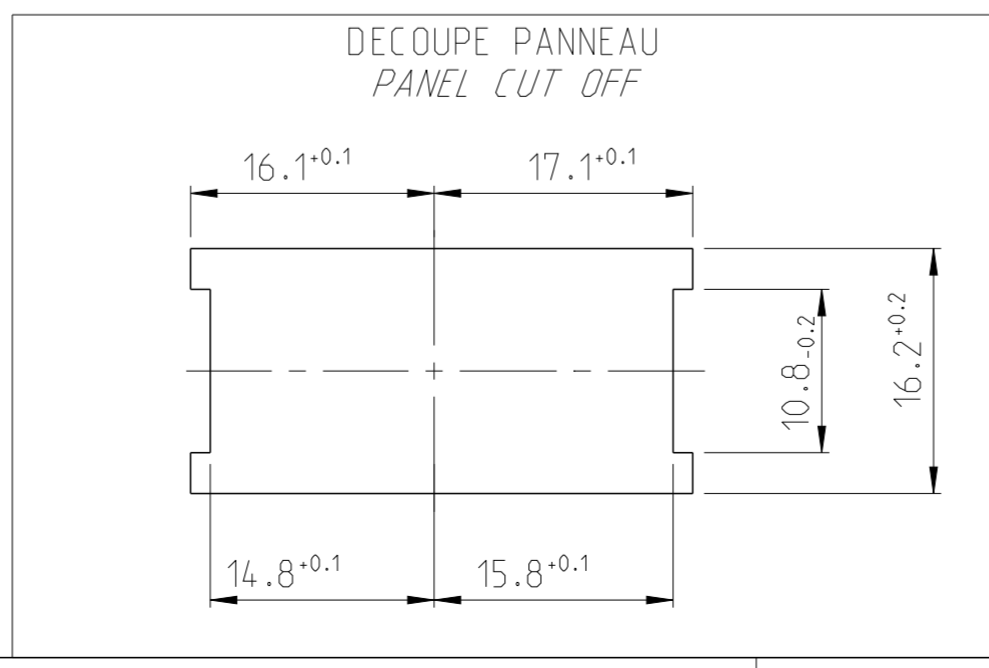
- 1 DATE DE FABRICATION
MOLDING DATE
- 2 LOGO TE
- 3 REFERENCE DU PRODUIT ASSEMBLE
PN ASSEMBLY
- 4 INDICE DE REVISION DU MOULE
MOLD REVISION
- 5 N° D'EMPRENTE DU MOULE
MOLD CAVITY NUMBER
- 6 MATIERE: PBT GF20
MATERIAL: PBT GF20
- 7 DATE D'ASSEMBLAGE
ASSEMBLY DATE
- ▲ COTE CAPABILITE
CAPABILITY DIMENSION

AUTRE FORME POSSIBLE
OTHER FORM POSSIBLE



REV	ASSY PN	MATERIAL	DESIGNATION	COLOR	REP
A	185683-1	CuSn6	CONTACT MQS LONG LONG MQS PIN		4
-	185683-2	CuSn6	CONTACT MQS COURT SHORT MQS PIN		3
		PBT GF20	BOITIER CODAGE 2 HOUSING CODING 2	BLANC WHITE	2
		PBT GF20	BOITIER CODAGE 1 HOUSING CODING 1	NOIR BLACK	1
	QTY	MATERIAL	DESIGNATION	COLOR	REP

REMARQUE:
FINITION CONTACTS: POST-ETAME
PINS FINISH: POST-TIN



THIS DRAWING IS A CONTROLLED DOCUMENT.		DWN	02AUG2012	TE Connectivity	
DIMENSIONS: mm		CHK	S. GALLERAND	NAME	
TOLERANCES UNLESS OTHERWISE SPECIFIED:		APVD	J. LALANGE	18 W MQS HEADER BENT LEFT WITH EAR	
MATERIAL		PRODUCT SPEC	J. LALANGE	-	
FINISH		APPLICATION SPEC	108-15151	SIZE	
ANGLES		WEIGHT	-	CAGE CODE	
FINISH		CUSTOMER DRAWING	-	DRAWING NO	
FINISH		SCALE	2:1	RESTRICTED TO	
FINISH		SHEET	1 OF 1	REV	
FINISH		REV	F		

X-ON Electronics

Largest Supplier of Electrical and Electronic Components

Click to view similar products for [Automotive Connectors](#) category:

Click to view products by [TE Connectivity](#) manufacturer:

Other Similar products are found below :

[003-018-000](#) [60403001](#) [60993906-B](#) [M902-2131](#) [M902-2161](#) [72.330.1035.1](#) [73.353.4028.0](#) [F119300-B](#) [F166900](#) [F258300-B](#) [F358300-B](#)
[F407400](#) [F444110](#) [F487000](#) [F509500B-B](#) [827153-1](#) [8N1515-32-24P](#) [9-1326729-8](#) [925474-1](#) [928905-1](#) [964562-4](#) [968782-1](#) [GT17SA-8DS-](#)
[HU](#) [98891-1012](#) [98947-1016](#) [12004147](#) [12004475-L](#) [12010290](#) [12010309-B](#) [12015454](#) [12020219-B](#) [12020308](#) [12041318-B](#) [12052225-L](#)
[12052466](#) [12059125](#) [12064869](#) [12004327-B](#) [12010503-B](#) [12015308](#) [12015384](#) [12015909](#) [1-21030-1](#) [12041254](#) [12041318](#) [12047946-B](#)
[12047957](#) [12047957-L](#) [12059473](#) [12066261](#)