

THIS DRAWING IS UNPUBLISHED.

RELEASED FOR PUBLICATION

REVISIONS

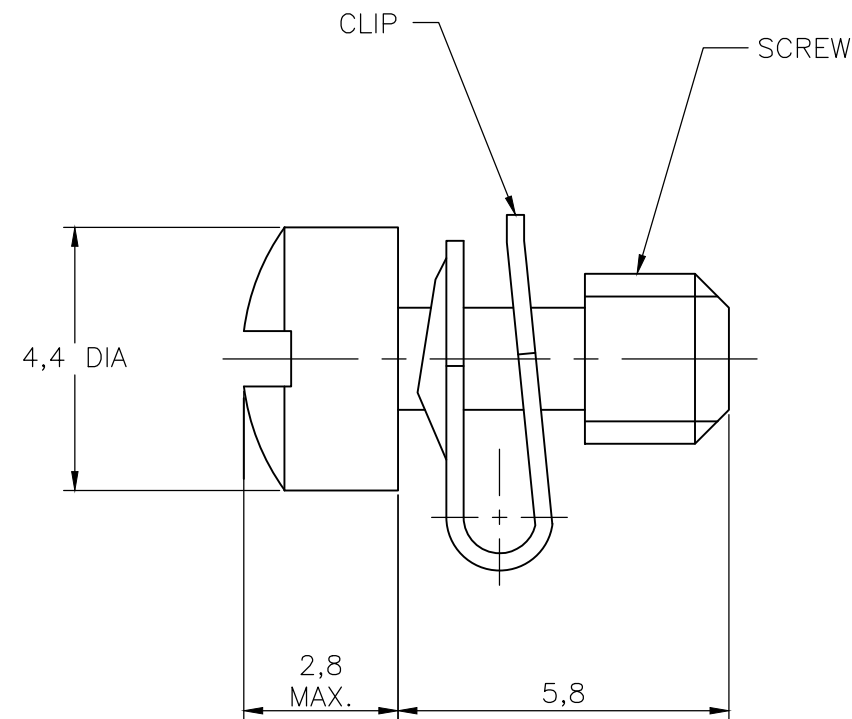
© COPYRIGHT - TE Connectivity

ALL RIGHTS RESERVED.

P	LTR	DESCRIPTION	DATE	DWN	APVD
	D	REVISED PER ECO-17-014394	05JAN2018	AP	DG

NOTES:

- ① PARTS PACKAGED UNASSEMBLED.
1 KIT CONTAINS 2 SCREWS , 2 CLIPS.
- ② SCREW: STEEL
CLIP : STAINLESS STEEL
- ③ SCREW: BRIGHT TINPLATED.
CLIP : NO PLATING.
- ④ INDIVIDUAL KIT : 2 SCREWS +2 CLIPS IN ONE PLASTIC BAG
- ⑤ 100 KITS BULKPACKAGE : 200 SCREWS IN ONE PLASTIC BAG AND
200 CLIPS IN ANOTHER PLASTIC BAG.
1857211-3 AND -4 TO BE ORDERED IN MULTIPLES OF 100
PIECES OF THE PARTNUMBER.



OBSOLETE	⑤	③	②	M3	1857211-4
				4-40 UNC.	1857211-3
OBSOLETE	④	③	②	M3	1857211-2
				4-40 UNC.	1857211-1
			PACKING	FINISH	MATERIAL
					PART NUMBER ①

THIS DRAWING IS A CONTROLLED DOCUMENT.		DWN	15JUL05		STE TE Connectivity
		CHK	15JUL05		
		APVD	15JUL05		
		PRODUCT SPEC			
DIMENSIONS: mm		TOLERANCES UNLESS OTHERWISE SPECIFIED:		NAME	
		0 PLC	± -	KIT, SCREW RETAINER, 4-40 UNC. M3, AMPLIMITE.	
		1 PLC	± -		
		2 PLC	± -		
		3 PLC	± -		
		4 PLC	± -		
		ANGLES	± -		
MATERIAL		FINISH		SIZE	RESTRICTED TO
				CAGE CODE	
				DRAWING NO	
				WEIGHT	
				0.000000	
				A3	
				00779	
				C=1857211	
				SCALE	
				NTS	
				SHEET	
				1 OF 1	
				REV	
				D	

X-ON Electronics

Largest Supplier of Electrical and Electronic Components

Click to view similar products for [D-Sub Tools & Hardware](#) category:

Click to view products by [TE Connectivity](#) manufacturer:

Other Similar products are found below :

[000-01-09-132](#) [000-01-21-132](#) [000-01-31-162](#) [572019-00105-70](#) [000-01-37-162](#) [621-250-113-115](#) [D110550-2](#) [D20418-137](#) [780-518-50SG6-WS](#) [86552009](#) [86553115TLF](#) [86553117TLF](#) [1230032-1](#) [1-5021101-2](#) [15-000050](#) [1589283-4](#) [160-000-005R031](#) [16-000230](#) [160-025-004R031](#) [160-000-137R000](#) [160-020-209R000](#) [160X10909X](#) [164C03939A](#) [177-505-A-2-2](#) [1-966830-8](#) [21018-6](#) [2-1393560-9](#) [JS-1000](#) [L17D204182M3E](#) [L17D53018](#) [300X10779X](#) [160X10189X](#) [160X10419X](#) [162-000-050R000](#) [21018-5](#) [212561-3](#) [248C21550X](#) [CF15P](#) [QLOCKPOST-2](#) [D110277](#) [500-008NF1K-01](#) [500-008NF3R3KS-01](#) [500-017M09FN](#) [500-017M15MHN](#) [500-024M1](#) [500-068M3](#) [5-1393561-5](#) [C115373-0001](#) [C115373-0002](#) [3342-4-KIT](#)