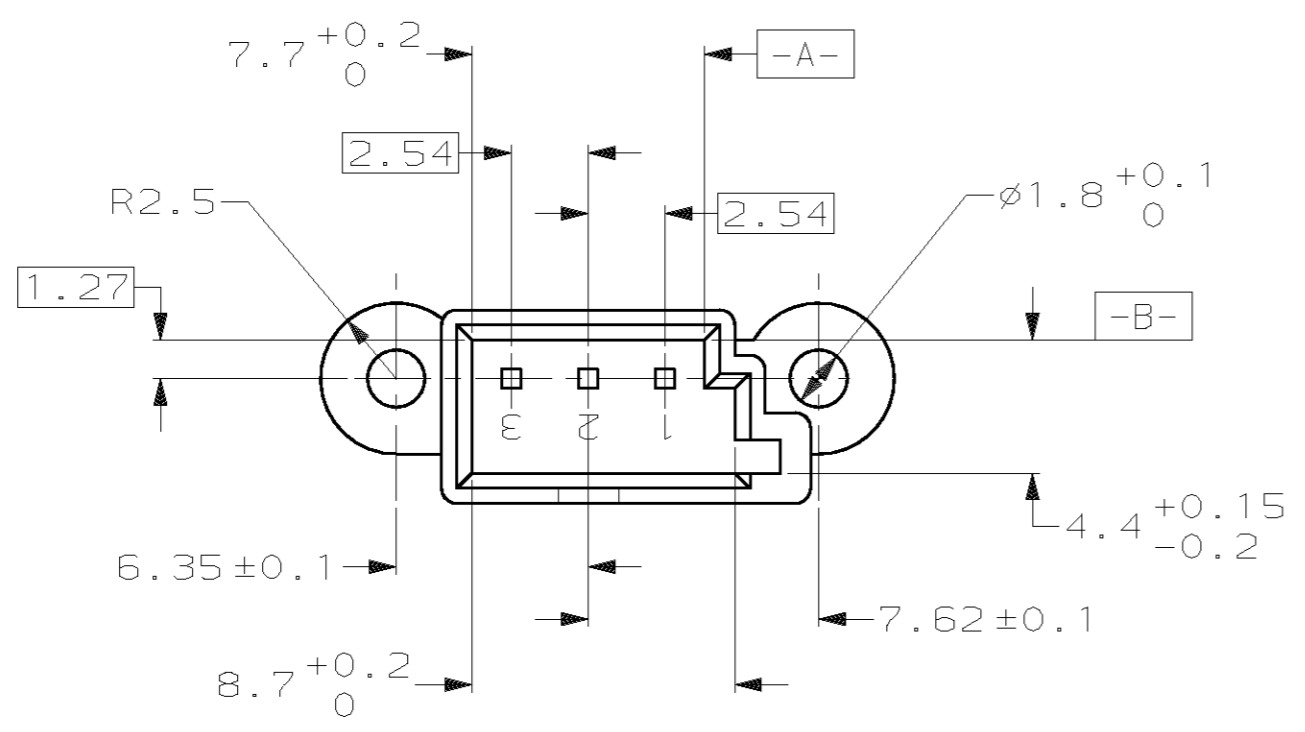
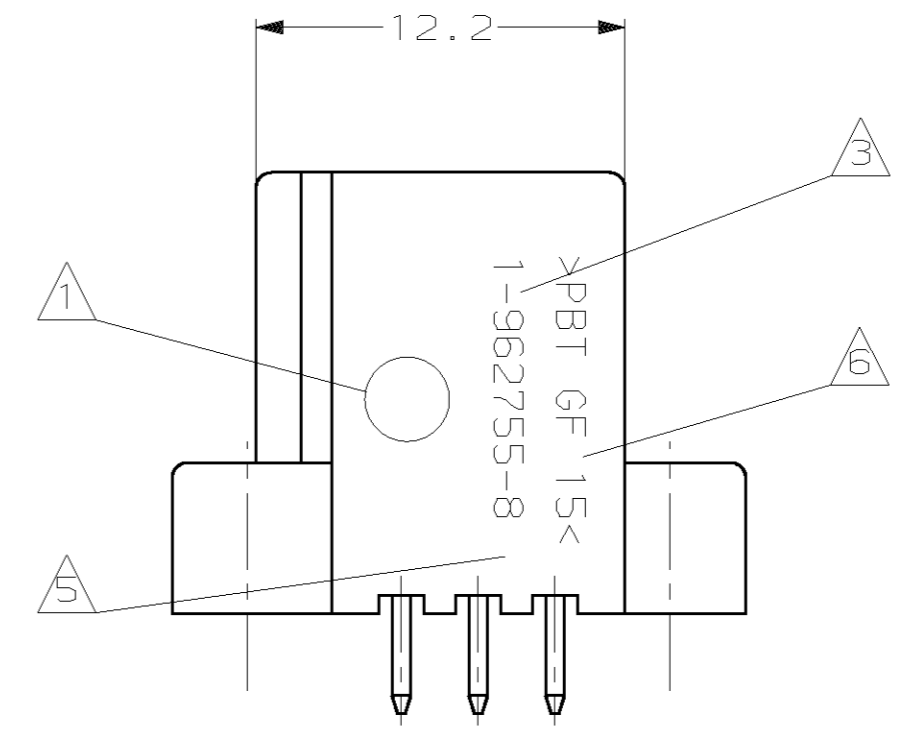
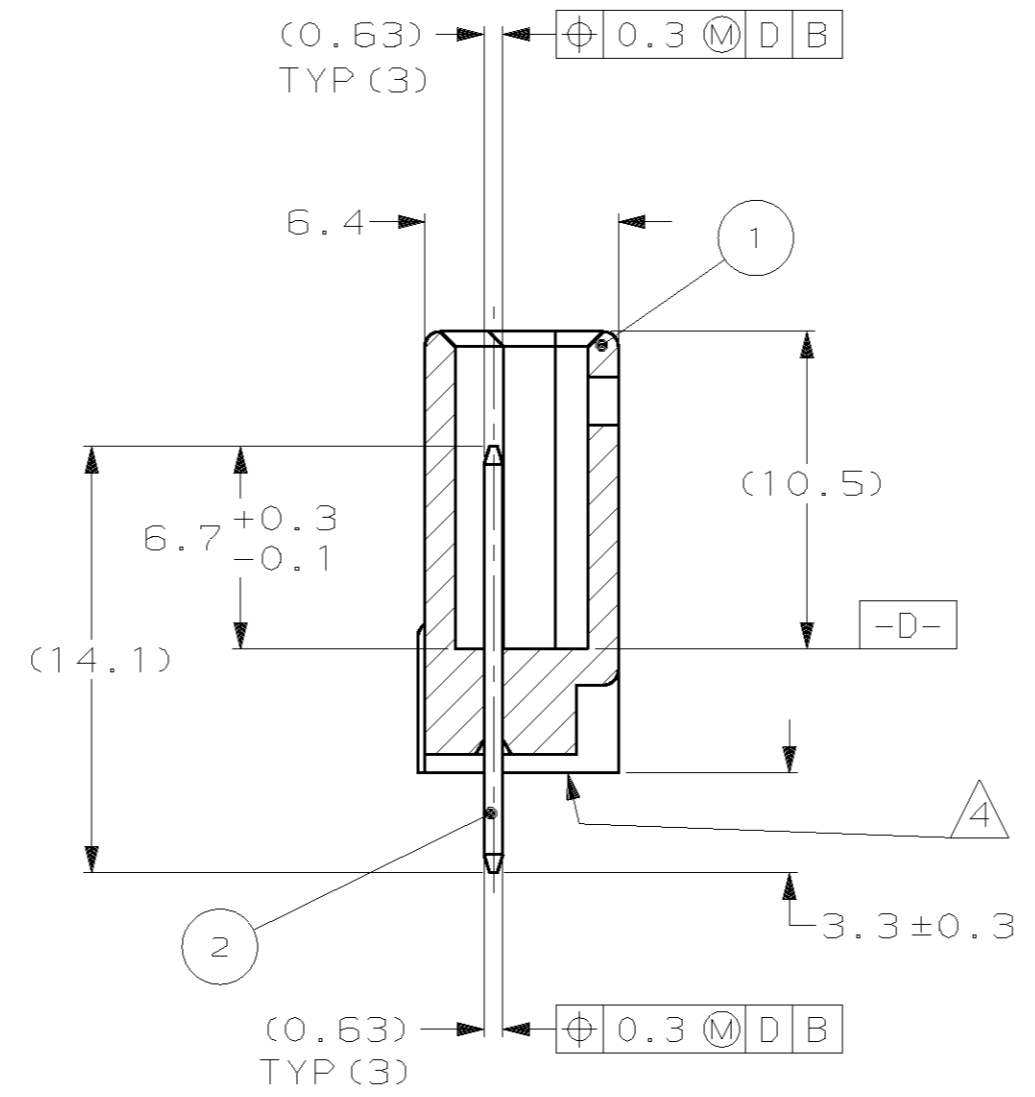
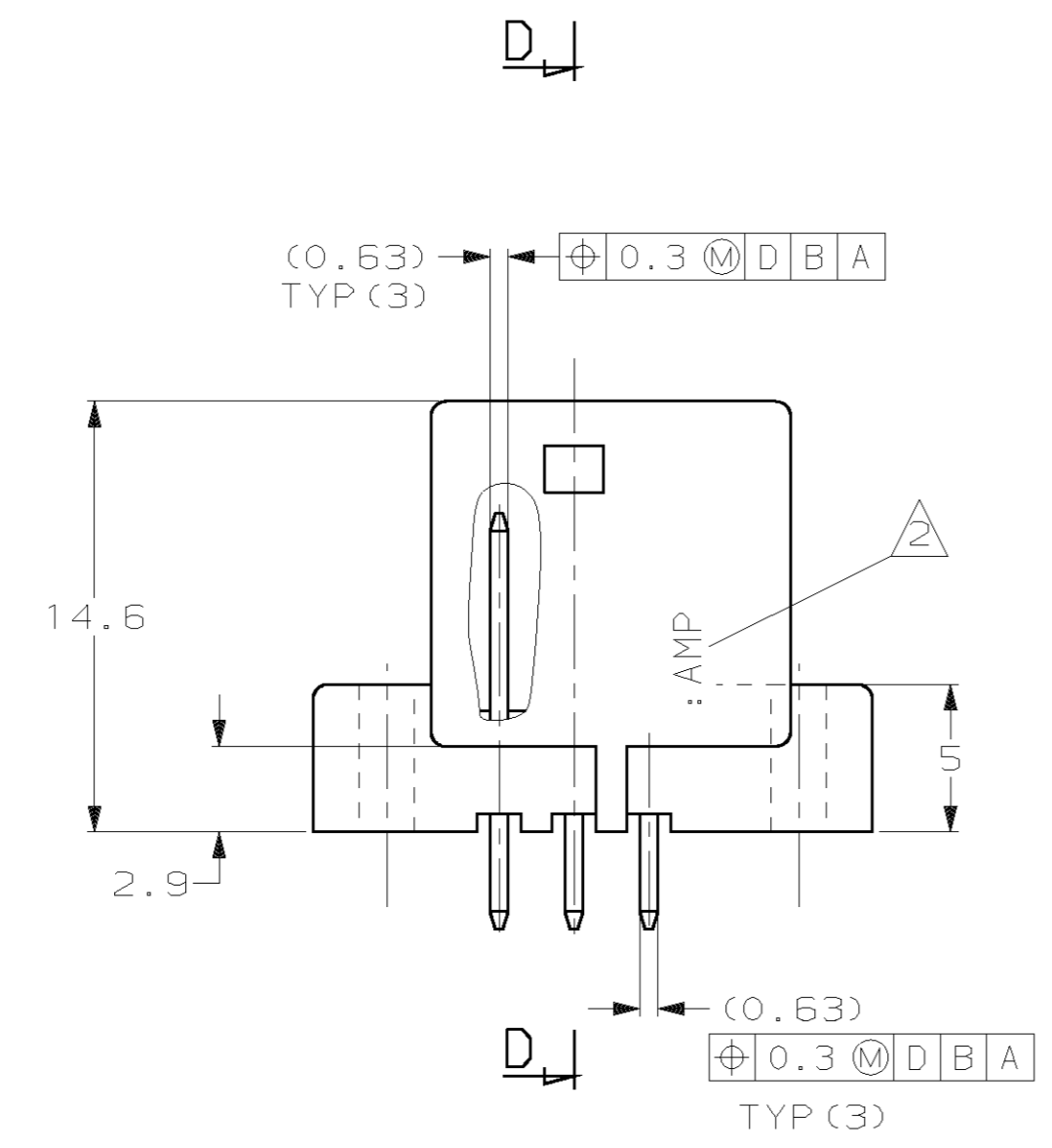


THIS DRAWING IS UNPUBLISHED.
 DIFFUSION RESTREINTE AMP
 (C) COPYRIGHT 19 BY AMP INCORPORATED. ALL RIGHTS RESERVED.
 TOUS DROITS RESERVES.

| LOC | | DIST | | REVISIONS | | | |
|-----|-----|------|-------------|-----------|-----|------|------|
| P | LTR | REV | DESCRIPTION | DATE | DWN | APVD | APP. |
| F | | 7 | | | | | |

SECTION DD



NOTES:

- ① DATE CODE
- ② LOGO D'AMP
- ③ REFERENCE DU BOITIER
- ④ N° D'EMPREINTE DU MOULE
- ⑤ REVISION DU MOULE
- ⑥ MATIERE

| | | | | | |
|------------|-----|------------|-----------------|-----|-----------|
| POST ETAME | 3 | BRONZE | CONTACT MQS | 2 | 185730-1 |
| NOIR | 1 | PBT CV 15% | BOITIER 3 VOIES | 1 | |
| FINITION | QTE | MATIERE | DESCRIPTION | POS | REFERENCE |

| | | | |
|-------------------------------------------------------------------------------------------------------------------------------------------------------------------------------------------------------------------------------------------------------------------------------------------------------------------------------------------------------------------------|--------------------------------------------------------------------------------------------------------------------------------------------------|---------------------------------------------------------------------------------------------------------------------------------------|-------------------------------------------------------------|
| THIS DRAWING IS A CONTROLLED DOCUMENT FOR AMP INCORPORATED. IT IS SUBJECT TO CHANGE AND THE CONTROLLING ENGINEERING ORGANIZATION SHOULD BE CONTACTED FOR THE LATEST REVISION. CE PLAN EST UN DOCUMENT CONTROLÉ PAR AMP INCORPORATED. IL EST SUSCEPTIBLE D'ÊTRE REVISÉ. CONTACTER LE SERVICE TECHNIQUE D'AMP DE FRANCE POUR OBTENIR LA DERNIÈRE RÉVISION. | | DWN/DESSINE Jacques LAQUERBE 04-SEP-96 CHK/VERIFIE J.J. REVIL 18-SEP-96 | AMP DE FRANCE 95301 PONTOISE |
| DIMENSIONS: mm | TOLERANCES UNLESS OTHERWISE SPECIFIED: TOLERANCES NON SPECIFIEES (SUIV NB DE DECIMALES): FRACTIONS ± DECIMALES ±0.3 ANGLES ±5° | APVD/APPROUVE J.J. REVIL 18-SEP-96 PRODUCT SPEC 108-15156 APPLICATION SPEC 411-15579 WEIGHT MASSE APPROX. 1 g | NAME TITRE EMBASE DROITE 3 VOIES MQS |
| MATERIAL MATIERE - | FINISH FINITION - | SIZE FORMAT A2 | CAGE CODE 00779 DRAWING NO TITRE C=185730 |
| CUSTOMER DRAWING/PLAN CLIENT | | UNIFORMEMENT POUR REFERENCE | SCALE ECHELLE 4:1 SHEET FEUILLE 1 DE 1 REV 0 |

X-ON Electronics

Largest Supplier of Electrical and Electronic Components

Click to view similar products for [Automotive Connectors](#) category:

Click to view products by [TE Connectivity](#) manufacturer:

Other Similar products are found below :

[003-018-000](#) [60403001](#) [60993906-B](#) [M902-2131](#) [M902-2161](#) [72.330.1035.1](#) [73.353.4028.0](#) [F119300-B](#) [F166900](#) [F258300-B](#) [F358300-B](#)
[F407400](#) [F444110](#) [F487000](#) [F509500B-B](#) [827153-1](#) [8N1515-32-24P](#) [9-1326729-8](#) [925474-1](#) [928905-1](#) [964562-4](#) [968782-1](#) [GT17SA-8DS-](#)
[HU](#) [98891-1012](#) [98947-1016](#) [12004147](#) [12004475-L](#) [12010290](#) [12010309-B](#) [12015454](#) [12020219-B](#) [12020308](#) [12041318-B](#) [12052225-L](#)
[12052466](#) [12059125](#) [12064869](#) [12004327-B](#) [12010503-B](#) [12015308](#) [12015384](#) [12015909](#) [1-21030-1](#) [12041254](#) [12041318](#) [12047946-B](#)
[12047957](#) [12047957-L](#) [12059473](#) [12066261](#)