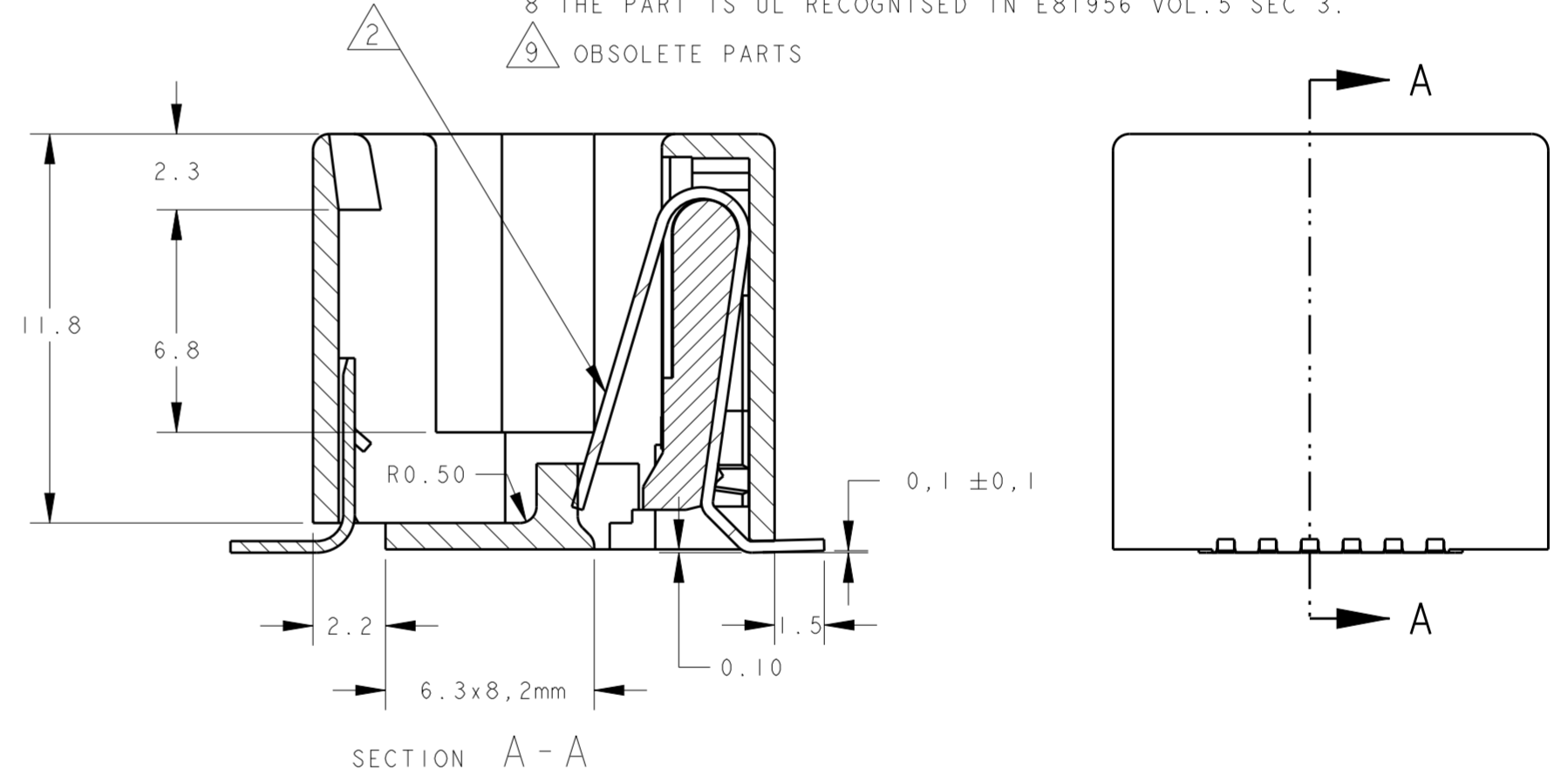
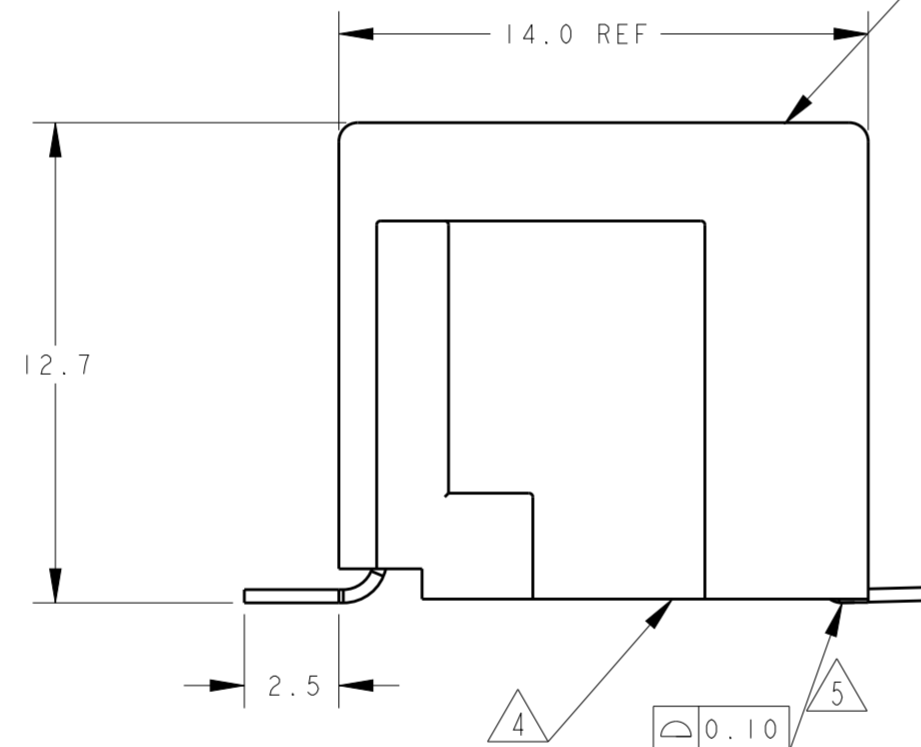
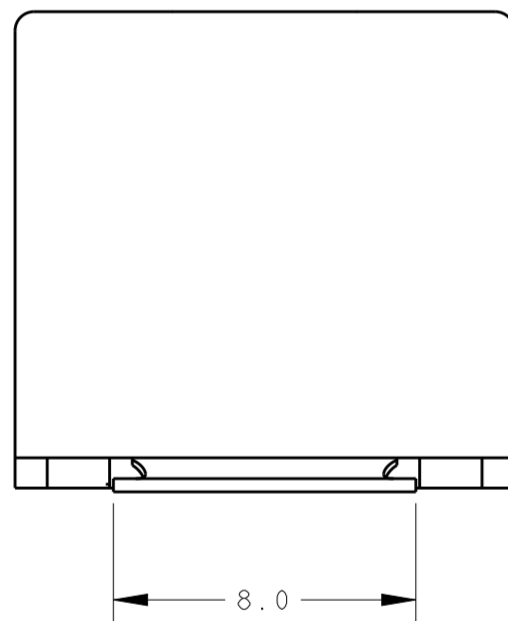
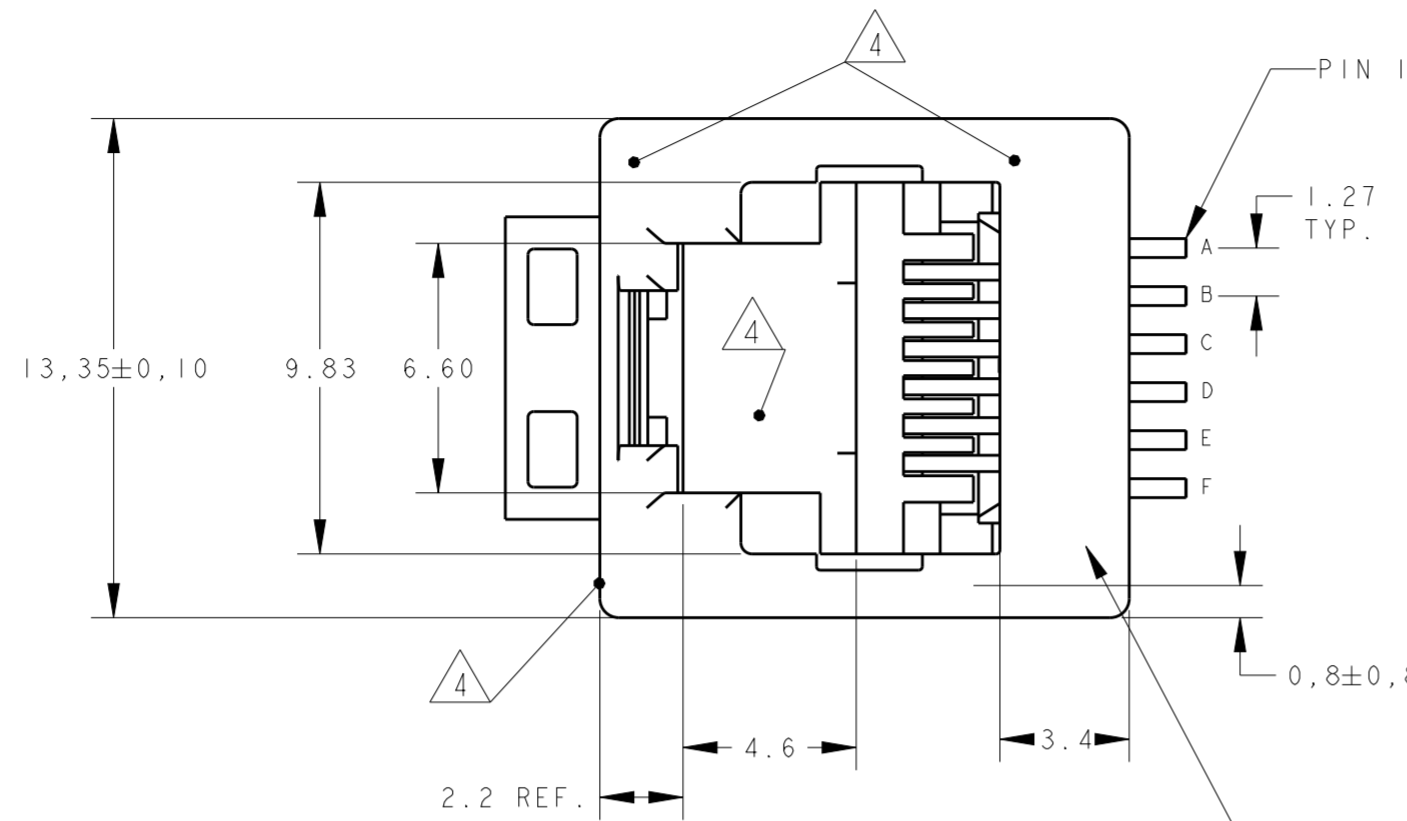
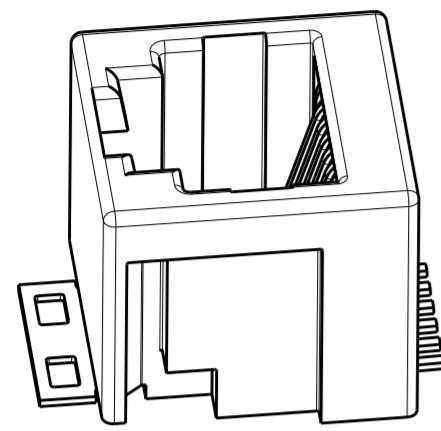


THIS DRAWING IS UNPUBLISHED. RELEASED FOR PUBLICATION
 © COPYRIGHT - ALL RIGHTS RESERVED.

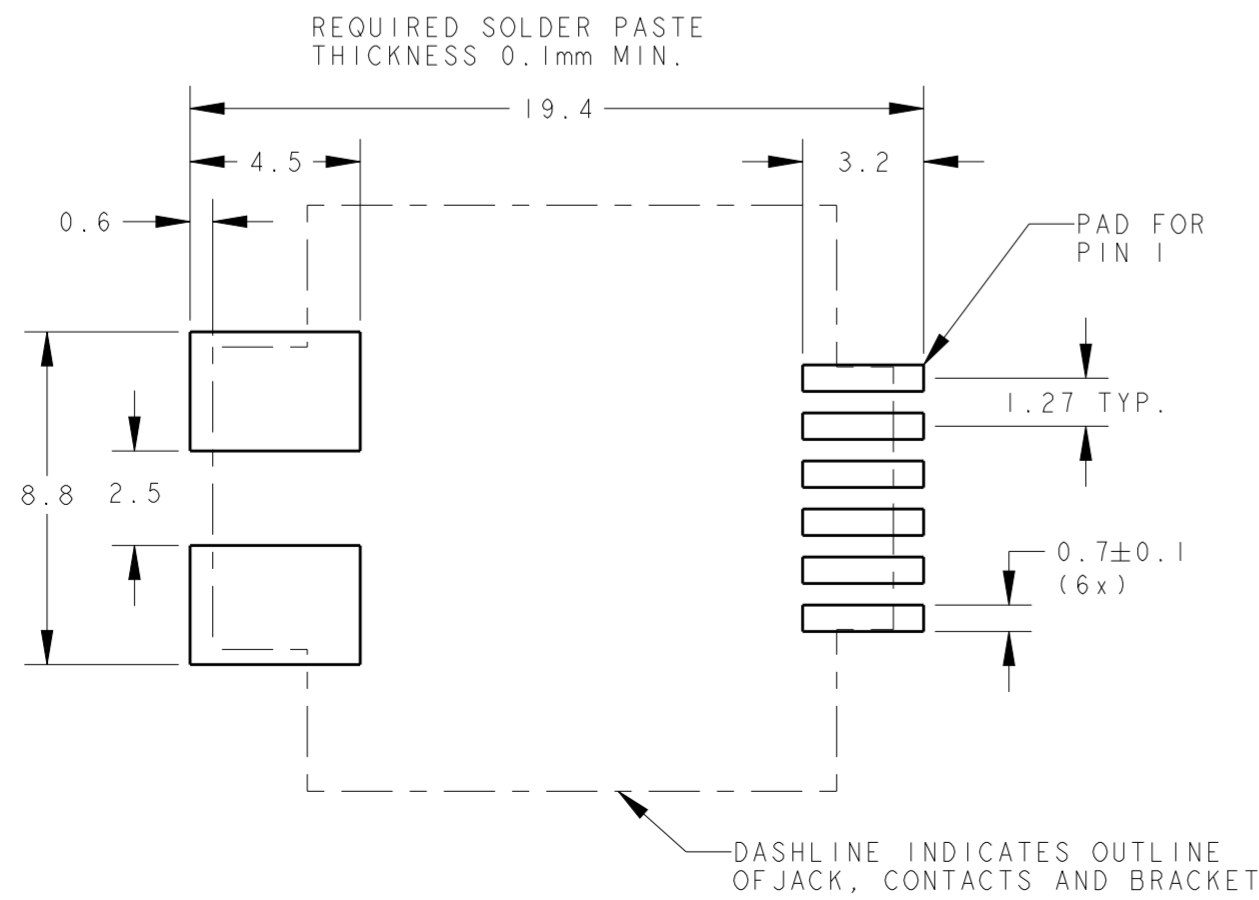
LOC		DIST		REVISIONS			
P	LTR	DESCRIPTION	DATE	DWN	APVD		
E		HOUSING RIB STRENGTHENED, RAWMATERIAL CHANGED TO PA4T	05JAN2012	PS	RRP		
F		ECO-16-001320	13JUN2016	AD	SH		

NOTES:

- 1 TOLERANCES UNLESS OTHERWISE SPECIFIED: $\pm 0,15$
- 2 CONTACT PLATING:
 OVERALL: Ni 1.27 μ m MIN. ALL OVER THE CONTACTS
 SOLDER ZONE: Sn 3.5-5.0 μ m ON THE SOLDER ZONE OF THE CONTACT
 MATING ZONE: PLATING CONFIRMS TO PRODUCT REQUIREMENTS AS PER SPECIFICATION 108-19117
- 3 MATERIALS:
 -HOUSING: 30% G.F. LCP. COLOR BLACK, UL 94V-0.
 -CONTACTS: PHOSPHOR BRONZE.
 -SOLDER BRACKET: TINPLATED BRASS WITH NICKEL UNDERPLATE.
- 4 SURFACE CAN BE USED FOR PICKING THE MODULAR JACK WITH, TYPE II SMD MACHINE.
- 5 COPLANARITY MEASURED AT HEEL OF CONTACTS.
- 6 TAPE AND REEL PACKAGING ACCORDIND TO EIA 481-3 SPECIFICATIONS.
- 7 CONTACT PLATING:
 0.76 μ m MIN. GOLD SELECTIVE IN CONTACT AREA.
 OVER 1,27 μ m MIN. NICKEL.
 3,5-5,0 μ m MIN. MATTE TIN ON SOLDER TINES.
- 8 THE PART IS UL RECOGNISED IN E81956 VOL.5 SEC 3.
- 9 OBSOLETE PARTS



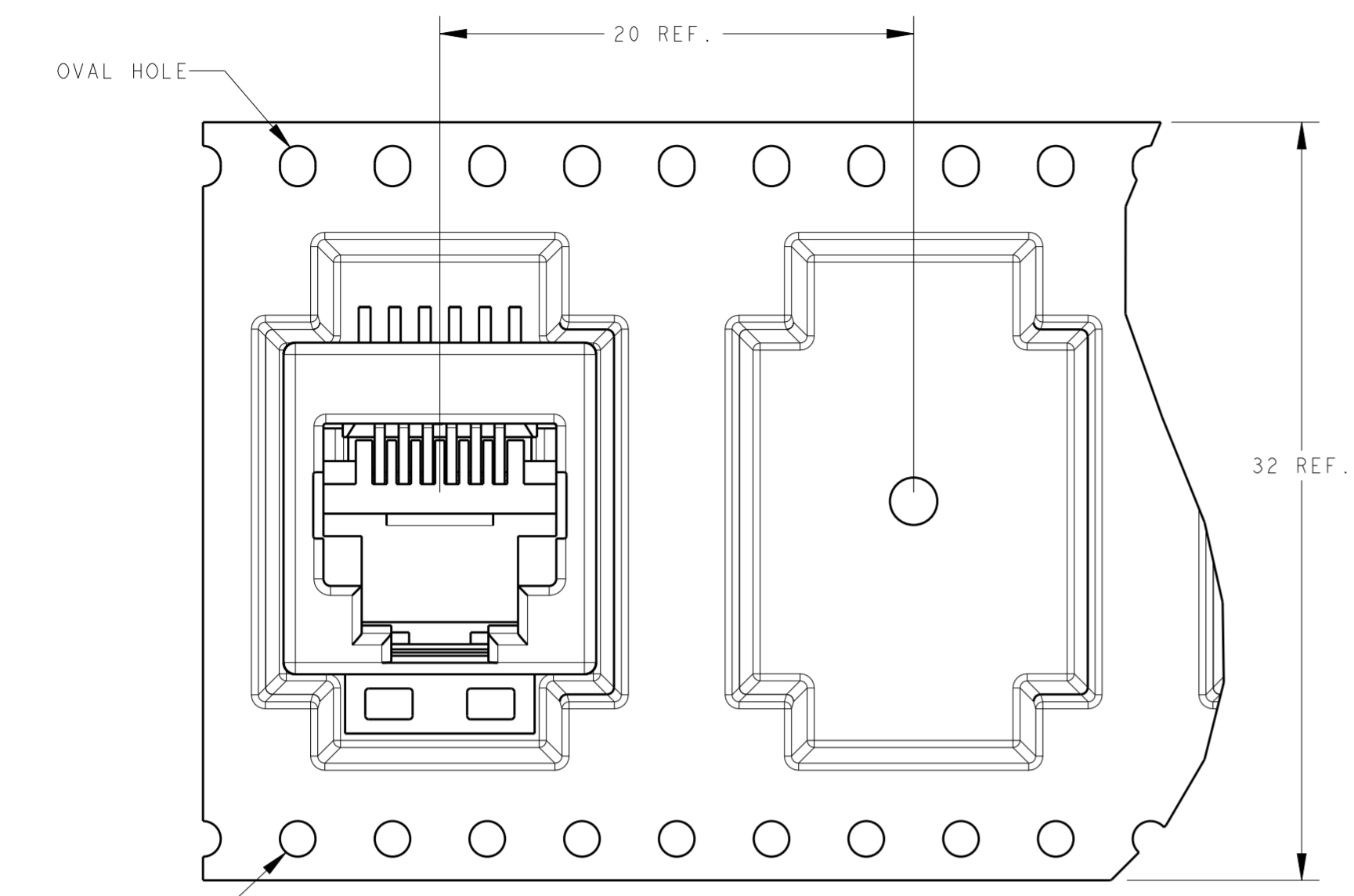
PRINTED CIRCUIT BOARD LAYOUT



6 POS./6 CONT.		300 PCS ON \varnothing 360mm OD REEL. TOP ENTRY ORIENTATION PER DETAIL B		1857381-2	
REMARKS		FINISH		PART NUMBER	
THIS DRAWING IS A CONTROLLED DOCUMENT.		DWN 04 NOV 2005 CHK J.V.D. HEIJDEN M. OPPERB. APVD 04 NOV 2005 J. BROEKSTEG		TE Connectivity	
DIMENSIONS: mm		TOLERANCES UNLESS OTHERWISE SPECIFIED:		NAME	
0 PLC ± 0.2		1 PLC ± 0.1		MODULAR JACK ON BOARD SMT	
2 PLC ± 0.05		3 PLC \pm		6/6 POSITION VERSION.	
4 PLC \pm		ANGLES \pm		SIZE	
MATERIAL		FINISH		CAGE CODE	
SEE NOTE 3.		114-19041		DRAWING NO	
		WEIGHT 1,83 gr		RESTRICTED TO	
		CUSTOMER DRAWING		SCALE	
		A2		SHEET 1 OF 2	
		G-1857381		REV F	

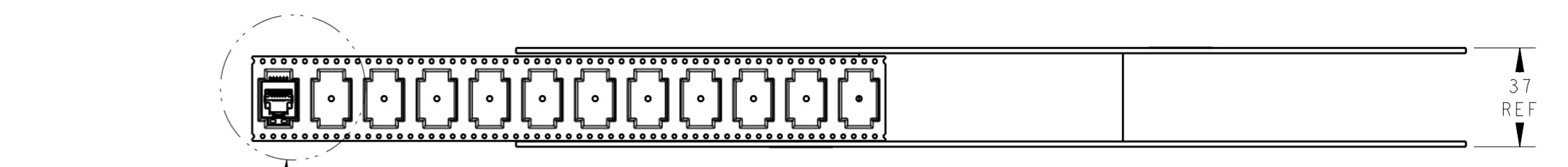
THIS DRAWING IS UNPUBLISHED. RELEASED FOR PUBLICATION
 © COPYRIGHT - ALL RIGHTS RESERVED.

LOC	DIST	REVISIONS					
IR	-	P	LTR	DESCRIPTION	DATE	DWN	APVD
		-		See sheet 1	-	-	-

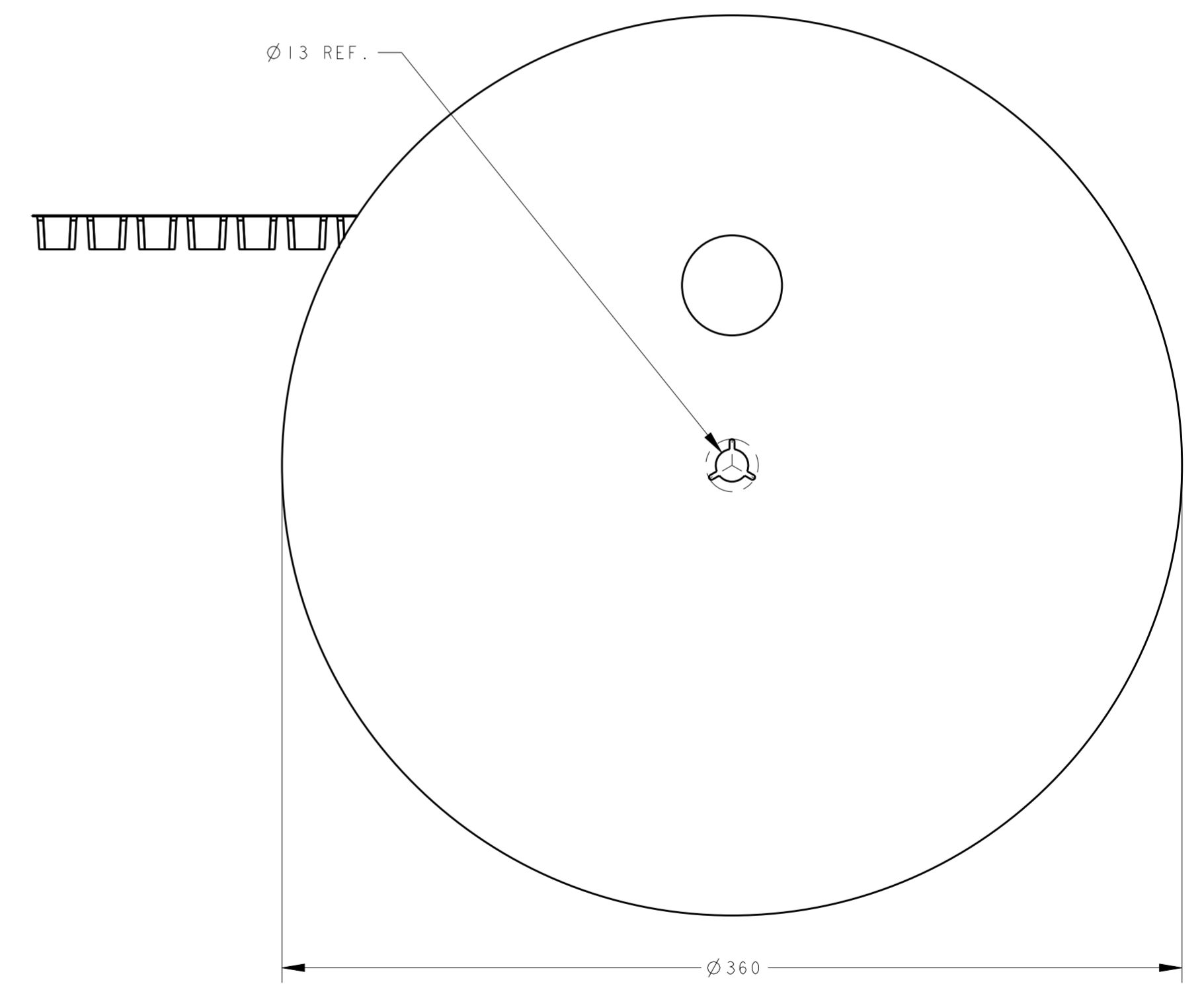


TOP ENTRY ORIENTATION.

DETAIL B
 SCALE 4:1



SEE DETAIL B



THIS DRAWING IS A CONTROLLED DOCUMENT.		DWN 04 NOV 2005 J.V.D. HEIJDEN	STE TE Connectivity	
		CHK 04 NOV 2005 M.OPPERS		
DIMENSIONS: mm		APVD 04 NOV 2005 J.BROEKSTEG	NAME MODULAR JACK ON BOARD SMT 6/6 POSITION VERSION.	
TOLERANCES UNLESS OTHERWISE SPECIFIED:		PRODUCT SPEC	RESTRICTED TO	
0 PLC ±0.2		APPLICATION SPEC	SIZE A2	CAGE CODE
1 PLC ±0.1			DRAWING NO C-1857381	
2 PLC ±0.05			SCALE 1:1	SHEET 2 OF 2
3 PLC ±				REV F
4 PLC ±				
ANGLES ±				
FINISH ±				
MATERIAL		WEIGHT	CUSTOMER DRAWING	

X-ON Electronics

Largest Supplier of Electrical and Electronic Components

Click to view similar products for [Modular Connectors / Ethernet Connectors](#) category:

Click to view products by [TE Connectivity](#) manufacturer:

Other Similar products are found below :

[8949-H88/06BLKA/SN](#) [74441-0010/BKN](#) [MP1010RX-1000](#) [MP44RX-1000](#) [PHJ-4P4C-1-V-4](#) [PHP-6P6C-5](#) [GAX-3-66](#) [GAX-8-62](#) [GDCX-PA-66-50](#) [GDCX-PN-64](#) [GDCX-PN-66](#) [GDCX-PN-66-50](#) [GDLX-A-66](#) [GDLX-N-66](#) [GDLX-S-66](#) [GDLX-S-88K](#) [GDTX-S-88-50](#) [GDX-PA-1010](#) [GLX-N-1010M-BLK](#) [GLX-S-88M-BLK](#) [GMX-N-1010](#) [GMX-S-1010](#) [GMX-S-66](#) [GMX-SMT4-N-88](#) [GPX-2-64](#) [GSGX-N-2-88](#) [GSGX-N-4-88](#) [GSX-NS2-88-3.05](#) [GSX-NS2-88-3.05-50](#) [GSX-NS-88-3.05-50](#) [PT-108A-8C-UL](#) [PT-J951-8C](#) [PTS-J531-8CS-50UL](#) [1-1775629-2](#) [A-2014-0-4](#) [GWLX-S-88-GR](#) [GWLX-S9-88-YG](#) [DC-1021-8-WH-6](#) [1300530003](#) [1324640-4](#) [RJ11FTVC2G](#) [RJ11FTVC2N](#) [RJFTVX2SA1G](#) [132764-001](#) [1413235](#) [MP88X-1000](#) [MPS88RX-5000](#) [E5288-S000K3-L](#) [E5908-15A242-L](#) [155302-001](#)