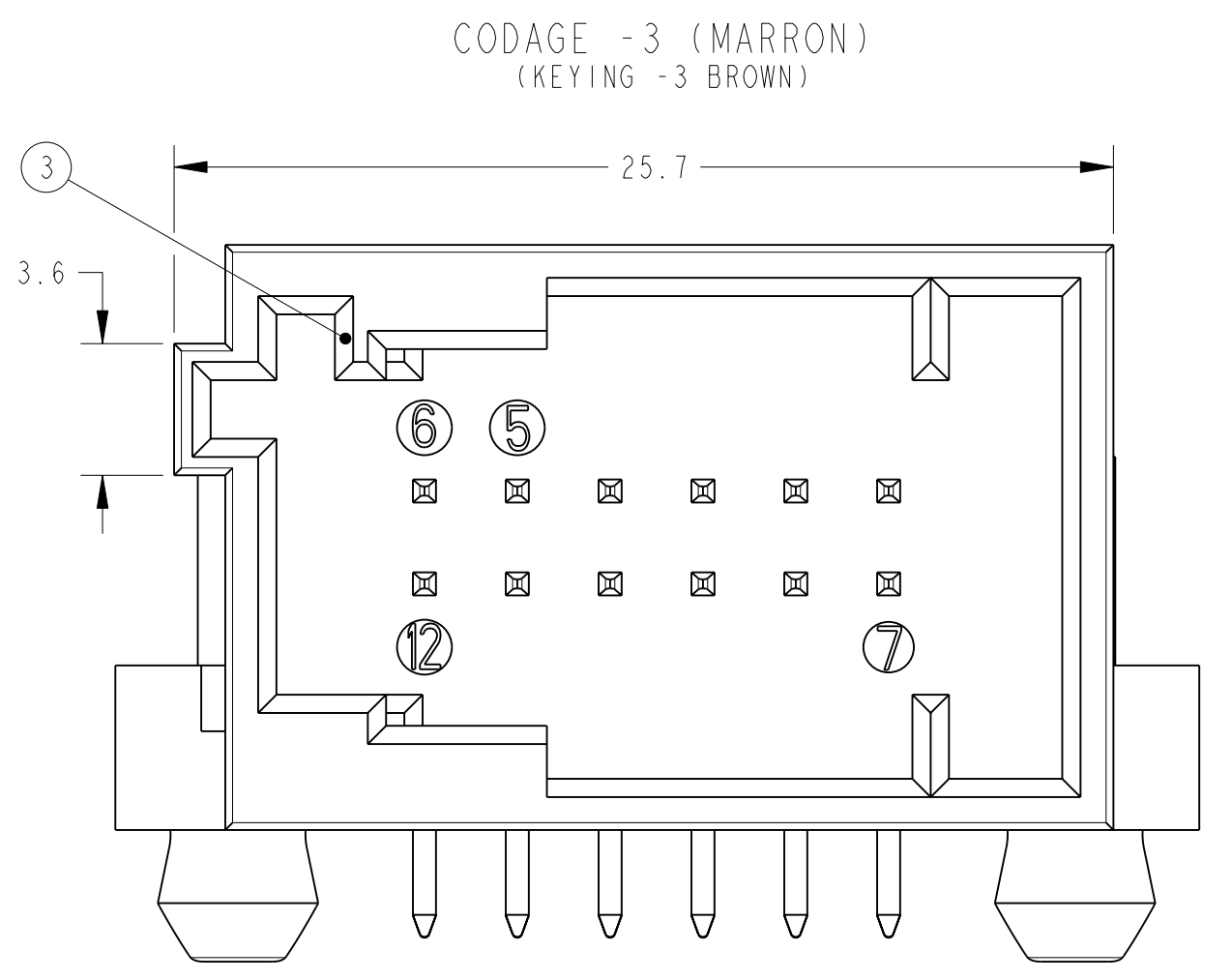
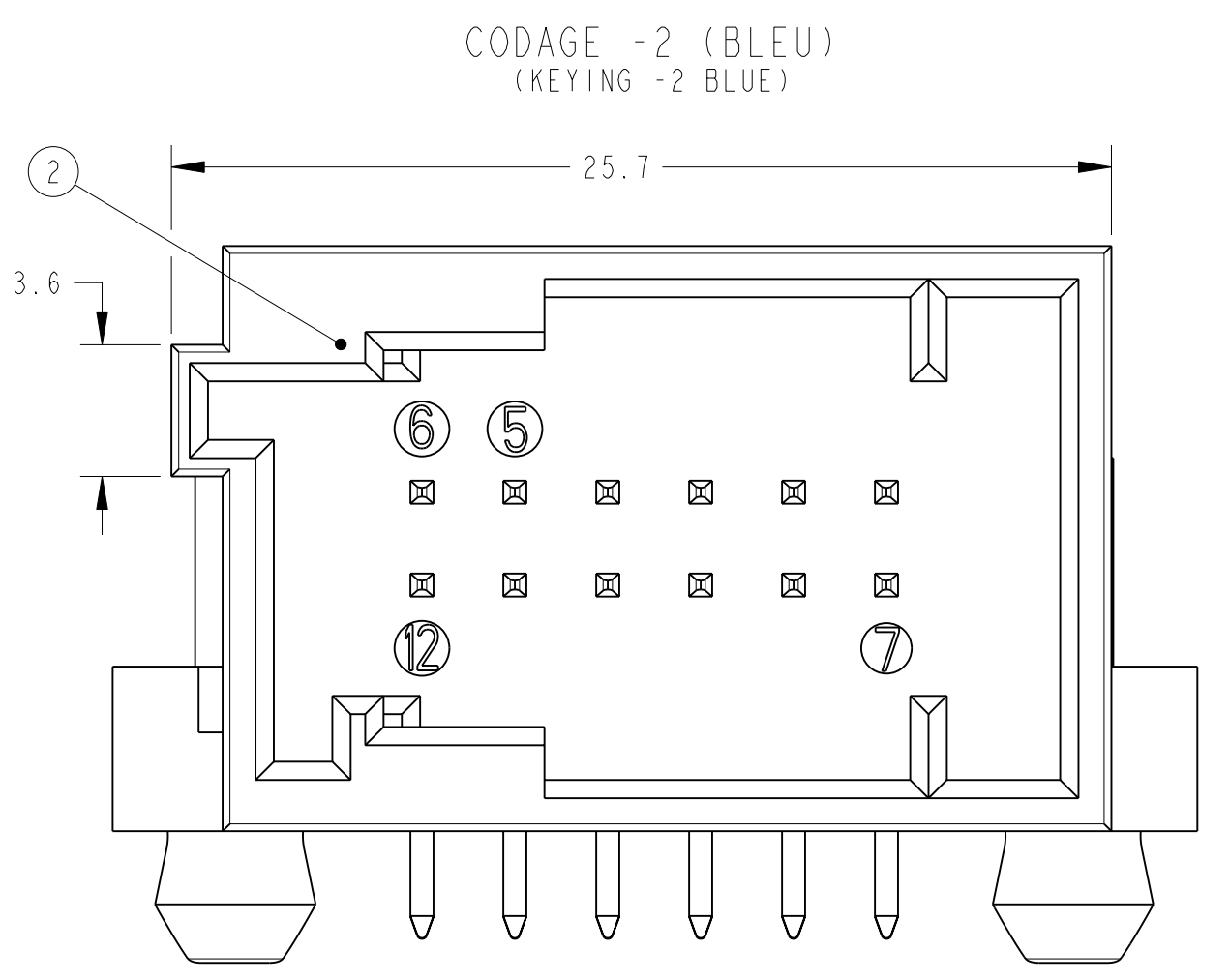
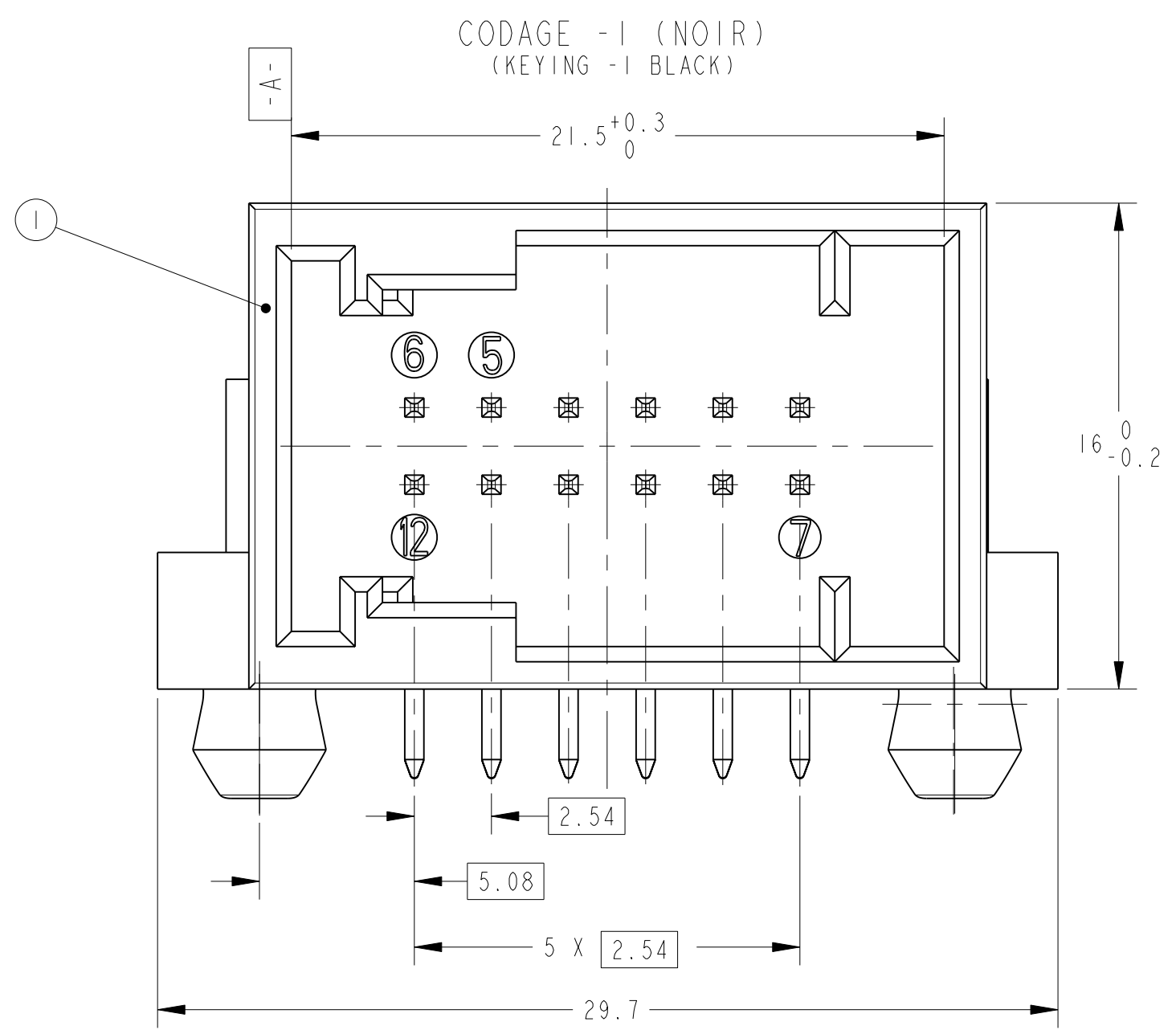
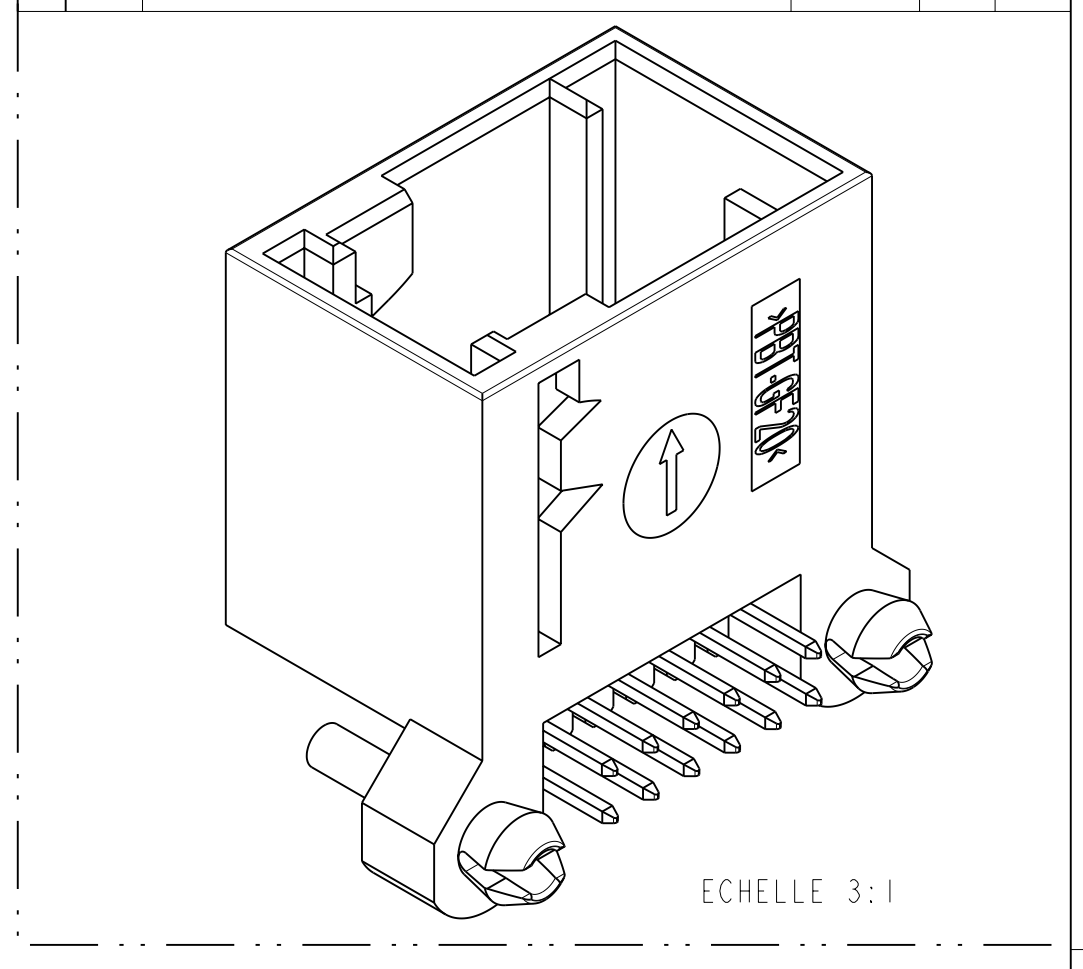
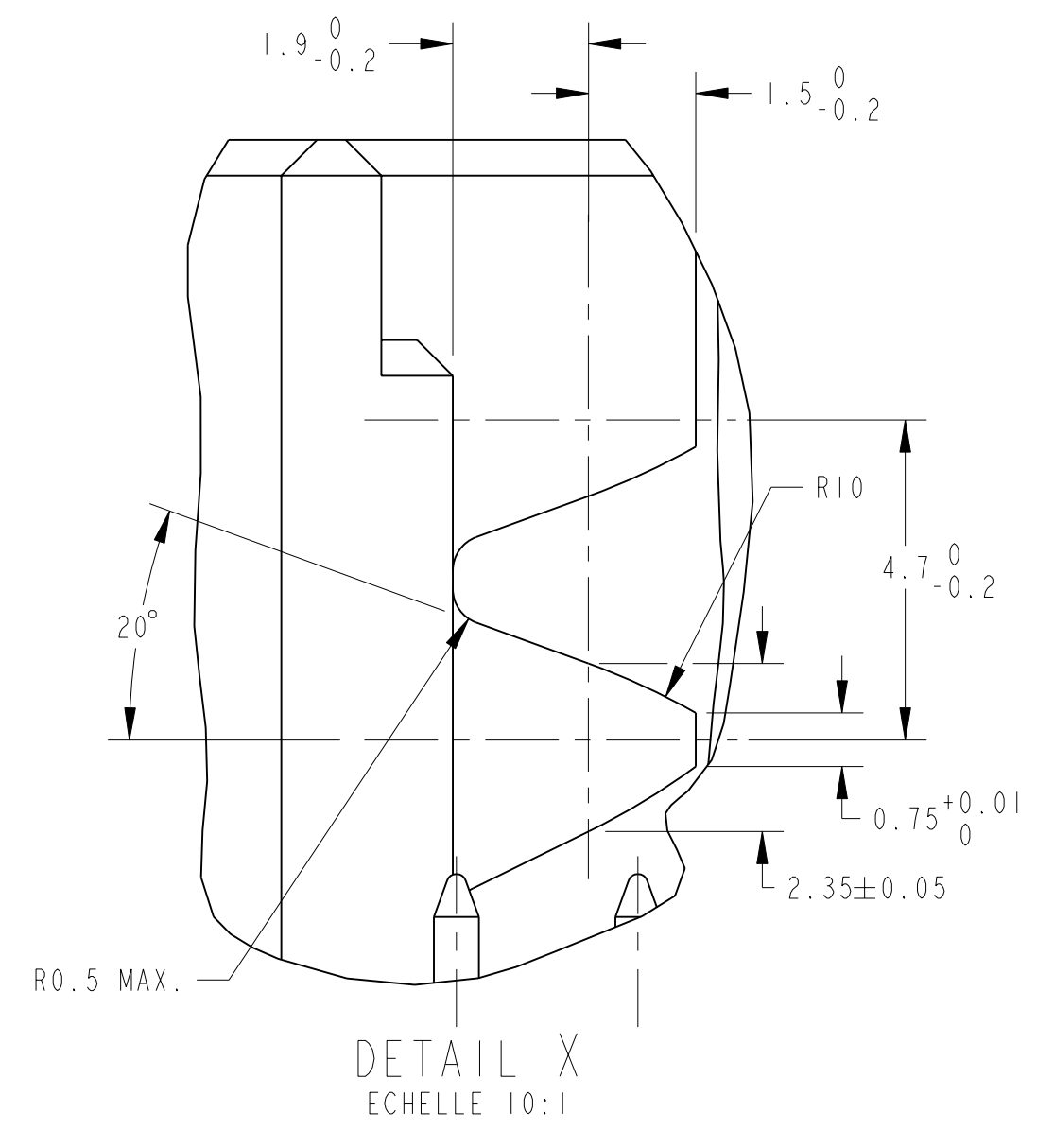
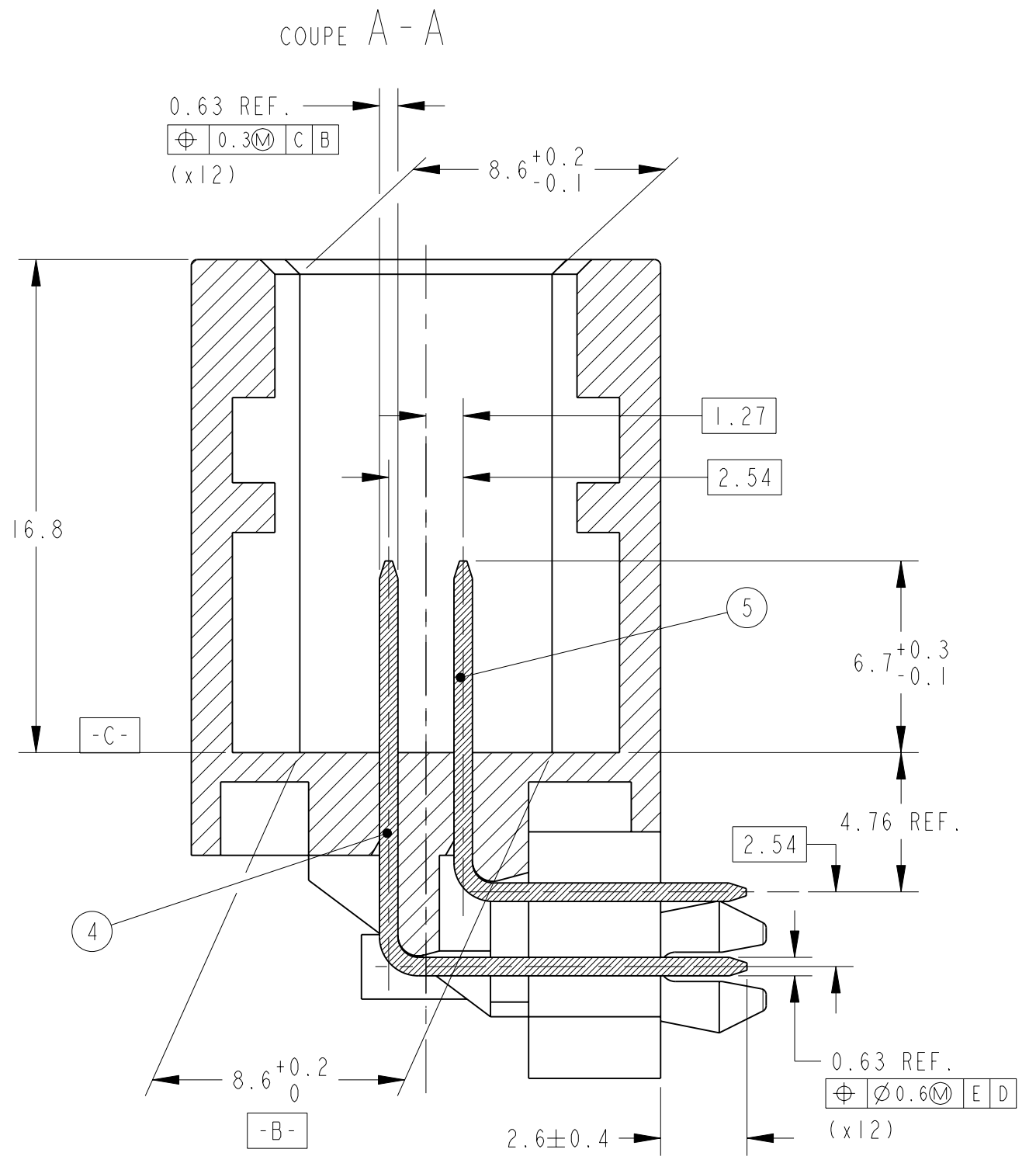
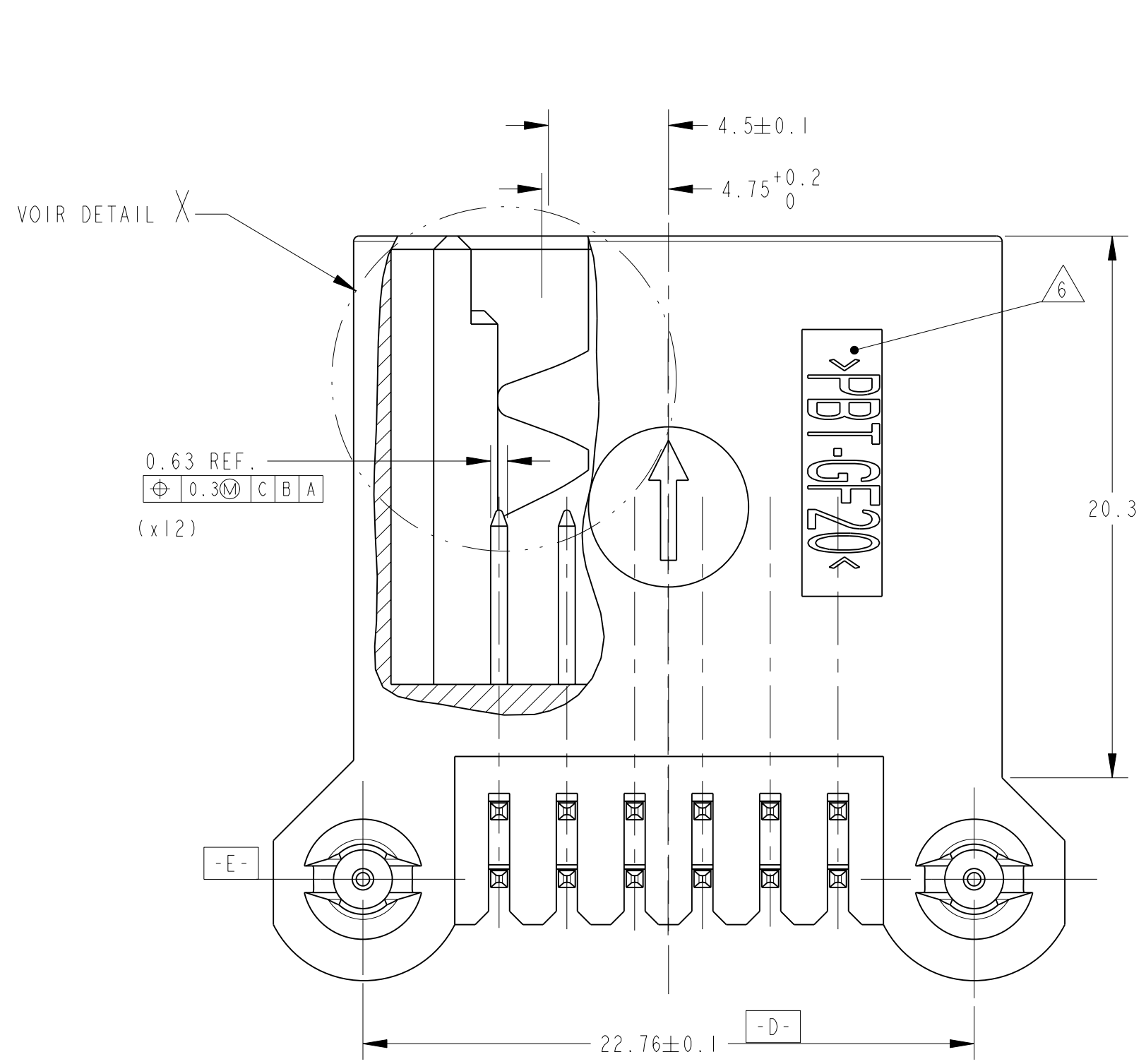
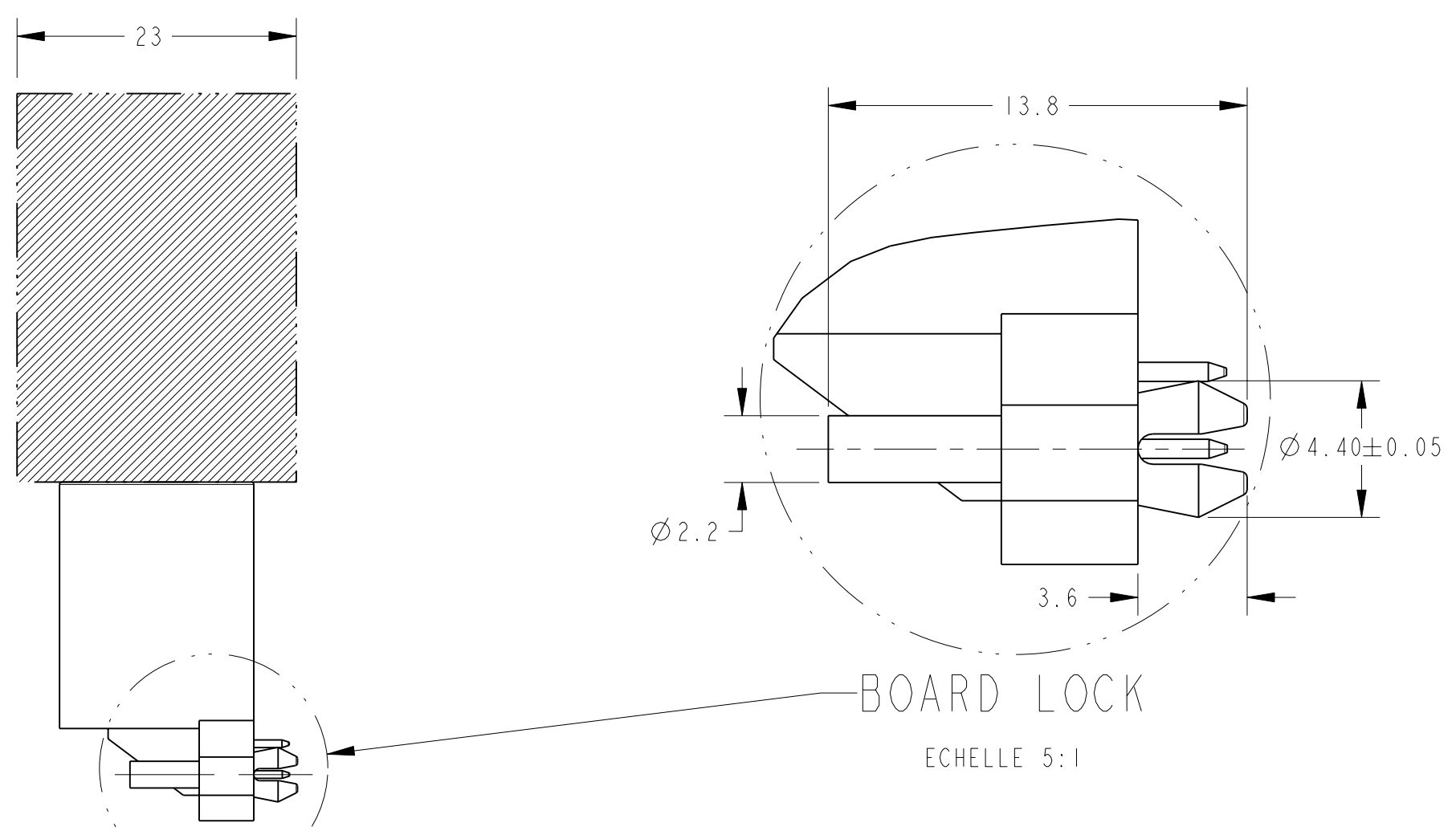
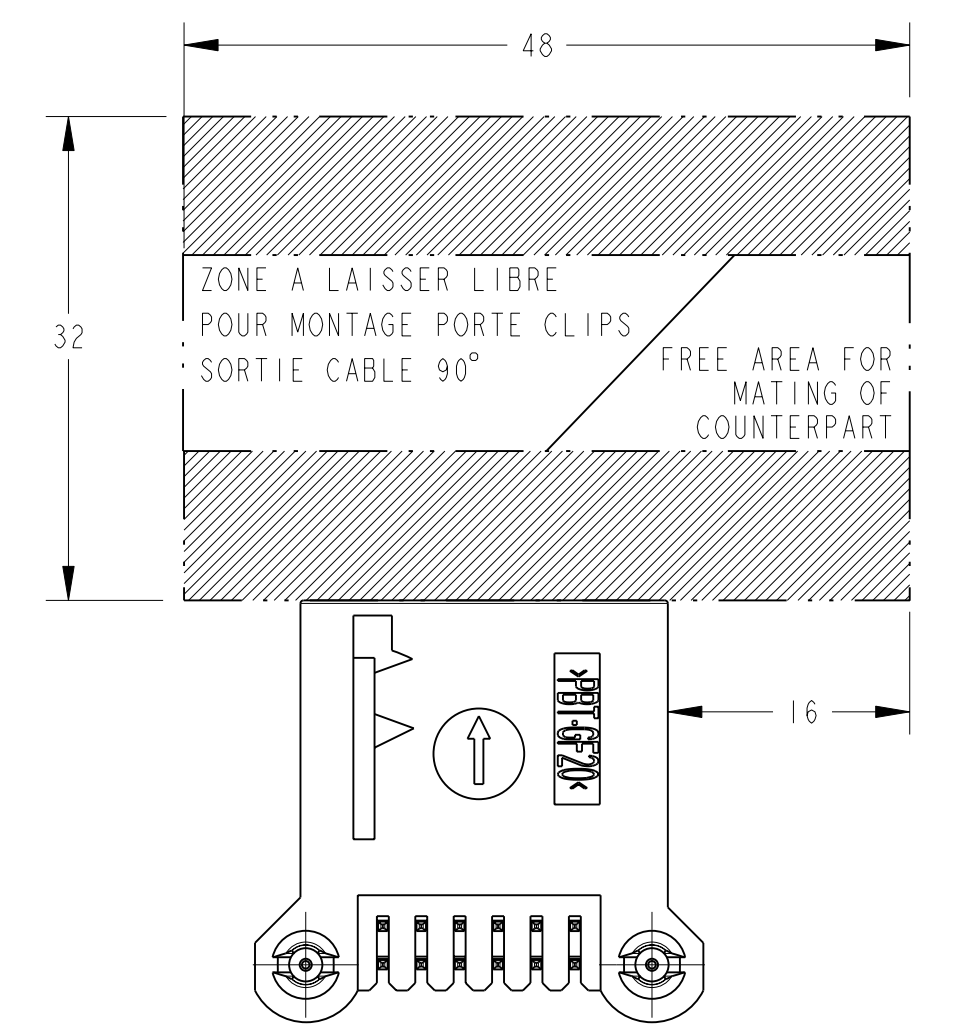


LOC	DIST	REV	DESCRIPTION	DATE	DWN	APP
F	-	D1	REVISED PER ECO-11-005150	30MAR2011	RK	HMR



- MARQUAGE (marking):**
- DATE DE FABRICATION ECHANGEABLE. (exchangeable manufacturing date).
  - LOGO "AMP" ("AMP" STAMP).
  - REFERENCE DU PRODUIT. (part number).
  - NUMERO D'EMPREINTE MOULE BOITIER. (mold cavity identification number).
  - REPERE ALVEOLE. (cavity marking).
  - IDENTIFICATION DE LA MATIERE. (material identification).
  - ACCORDING TO SPEC: 208-15544 AND 208-15574. (en accord avec les specs: 208-15544 et 208-15574).



ASSY PN	1-185740-2	185740-3	185740-2	185740-1				
6	-	-	-	-	CuSn6	BROCHE MOS COURTE (short pin MOS contact)	DORURE SELECTIVE (selective gold plating) 0.4µm mini Au sur/over 1µm mini Ni	5
6	-	-	-	-	CuSn6	BROCHE MOS LONGUE (long pin MOS contact)	DORURE SELECTIVE (selective gold plating) 0.4µm mini Au sur/over 1µm mini Ni	4
-	6	6	6	6	CuSn6	BROCHE MOS COURTE (short pin MOS contact)	POST-ETAME (post-fin)	5
-	6	6	6	6	CuSn6	BROCHE MOS LONGUE (long pin MOS contact)	POST-ETAME (post-fin)	4
-	1	-	-	-	PBT 20%GF	EMBASE CODAGE -3 (header keying -3)	MARRON (brown)	3
1	-	1	-	-	PBT 20%GF	EMBASE CODAGE -2 (header keying -2)	BLEU (blue)	2
-	-	-	1	1	PBT 20%GF	EMBASE CODAGE -1 (header keying -1)	NOIR (black)	1
QUANTITE (quantity)		MATIERE (material)		DESIGNATION (description)		FINITION (finish)		REP (item)

THIS DRAWING IS A CONTROLLED DOCUMENT.		DWN/DSSINE: 27-Aug-96		A. DUBOIS	
DIMENSIONS: mm		TOLERANCES UNLESS OTHERWISE SPECIFIED (SUIVY NB DE DECIMALES):		APV/D APPROVE: 27-Aug-96	
TOLERANCES UNLESS OTHERWISE SPECIFIED (SUIVY NB DE DECIMALES):		0 PLG / DEC: #		Y. PIERON/IN	
1 PLG / DEC: #0.1		2 PLG / DEC: #0.30		PRODUCT SPEC. PRODUCT	
3 PLG / DEC: #0.001		4 PLG / DEC: #0.3000		APPLICATION SPEC. APPLICATION	
MATERIAL MATIERE		FINISH FINITION		WEIGHT MASSE APPROX. *	
CUSTOMER DRAWING / PLAN CLIENT		UNIQUEMENT POUR REFERENCE		SCALE ECHELLE 5:1	

EMBASE COUDEE MOS		TE Connectivity	
12 BROCHES AVEC BOARD LOCKS		NAME	
HEADER ASSY 12 POS WITH BOARD-LOCK		EMBASE COUDEE MOS	
SPEC. APPLICATION		SIZE FORMAT	
APPLICATION SPEC. APPLICATION		A1 00779 C-185740	
MATERIAL MATIERE		WEIGHT MASSE APPROX. *	
CUSTOMER DRAWING / PLAN CLIENT		UNIQUEMENT POUR REFERENCE	
SCALE ECHELLE 5:1		SHEET FEUILLE 1 OF 1	
REV D1		REV	

## X-ON Electronics

Largest Supplier of Electrical and Electronic Components

*Click to view similar products for [Automotive Connectors](#) category:*

*Click to view products by [TE Connectivity](#) manufacturer:*

Other Similar products are found below :

[003-018-000](#) [60403001](#) [60993906-B](#) [M902-2131](#) [M902-2161](#) [M902-2344](#) [72.330.1035.1](#) [73.353.4028.0](#) [F119300-B](#) [F166900](#) [F258300-B](#)  
[F358300-B](#) [F407400](#) [F444110](#) [F487000](#) [F509500B-B](#) [827153-1](#) [8N1515-32-24P](#) [9-1326729-8](#) [925474-1](#) [928905-1](#) [964562-4](#) [968782-1](#)  
[GT17SA-8DS-HU](#) [98891-1012](#) [98947-1016](#) [12004147](#) [12004475-L](#) [12010290](#) [12015454](#) [12020219-B](#) [12041318-B](#) [12052225-L](#) [12052466](#)  
[12064869](#) [12004327-B](#) [12015308](#) [12015384](#) [12015909](#) [1-21030-1](#) [12041254](#) [12041318](#) [12047946-B](#) [12047957](#) [12047957-L](#) [12059473](#)  
[12066261](#) [12110546](#) [12110546-B](#) [12131792](#)