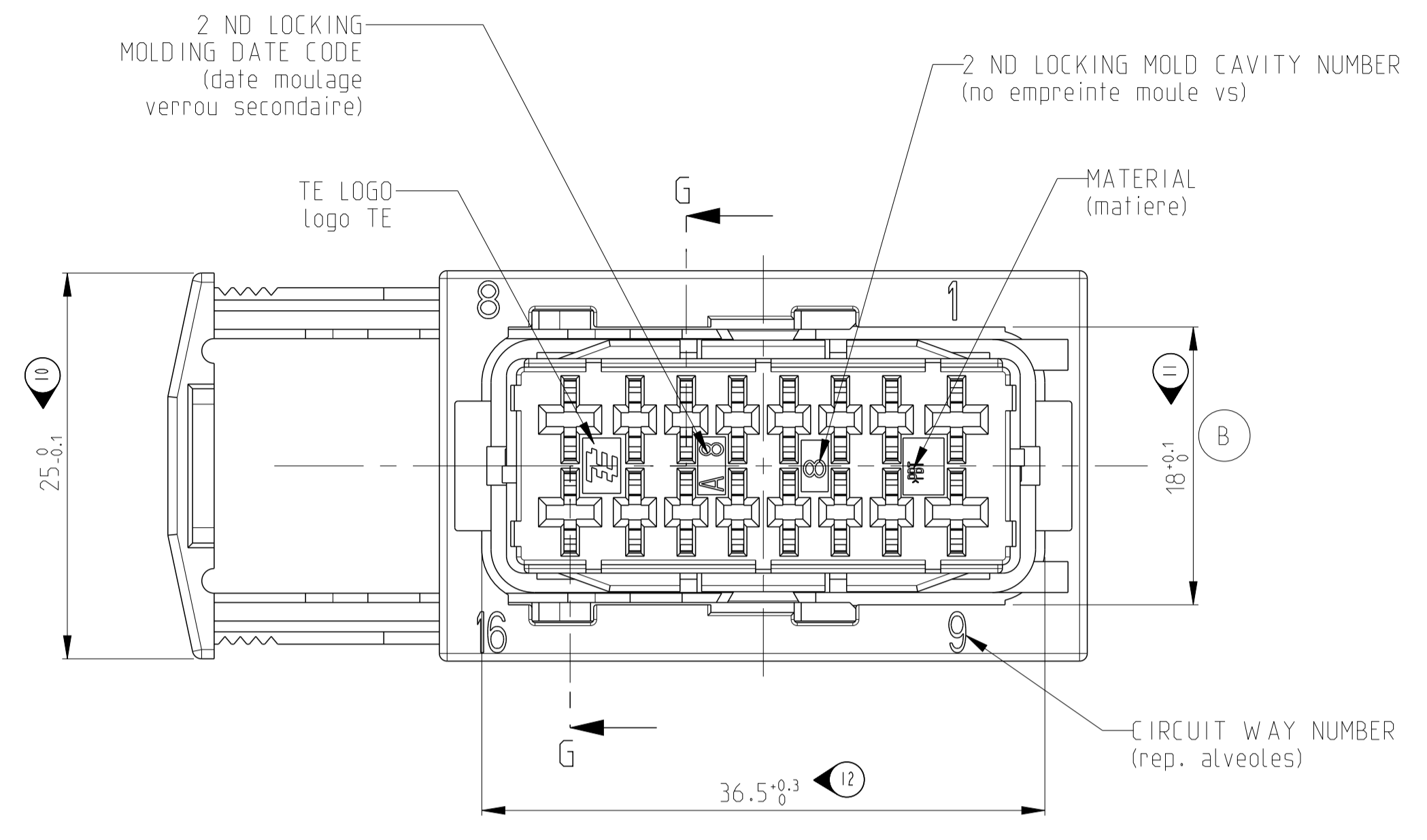
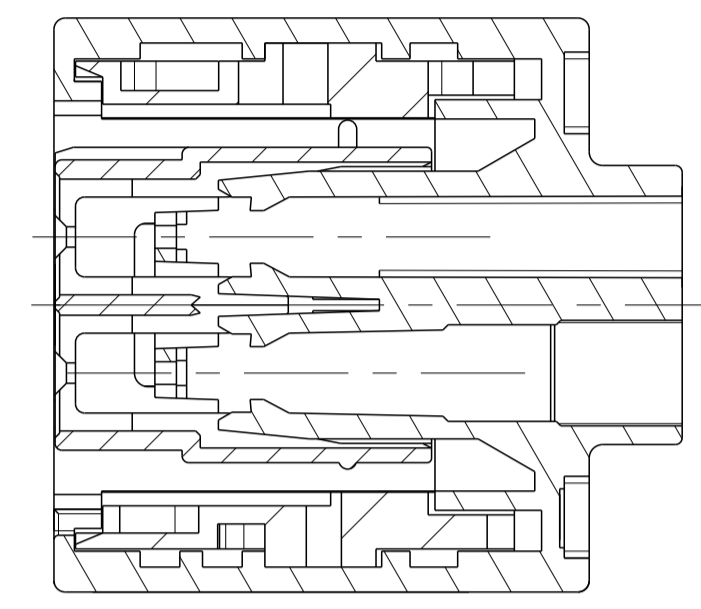
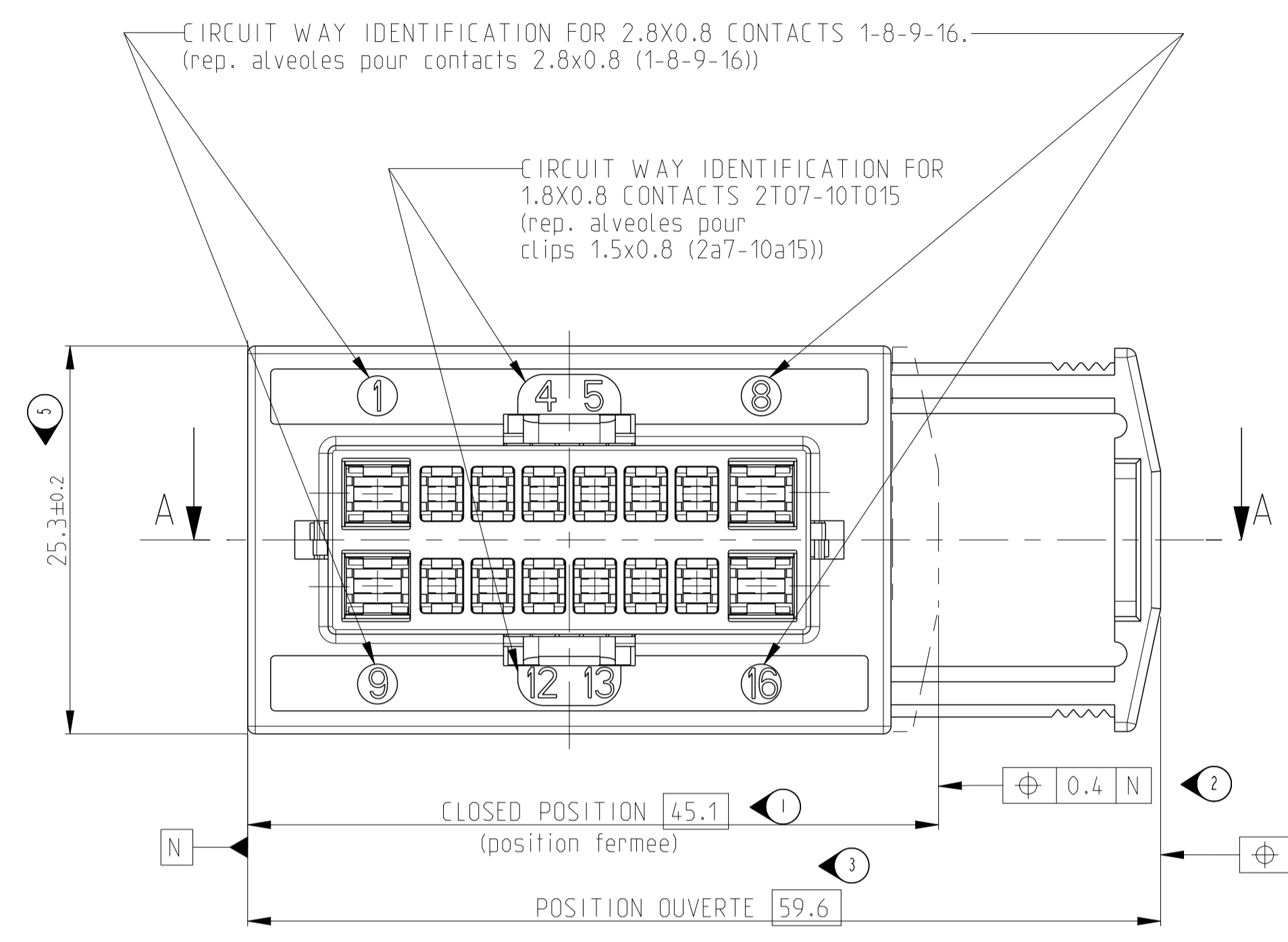
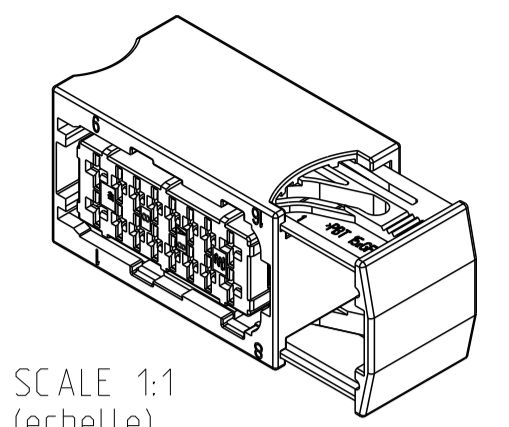
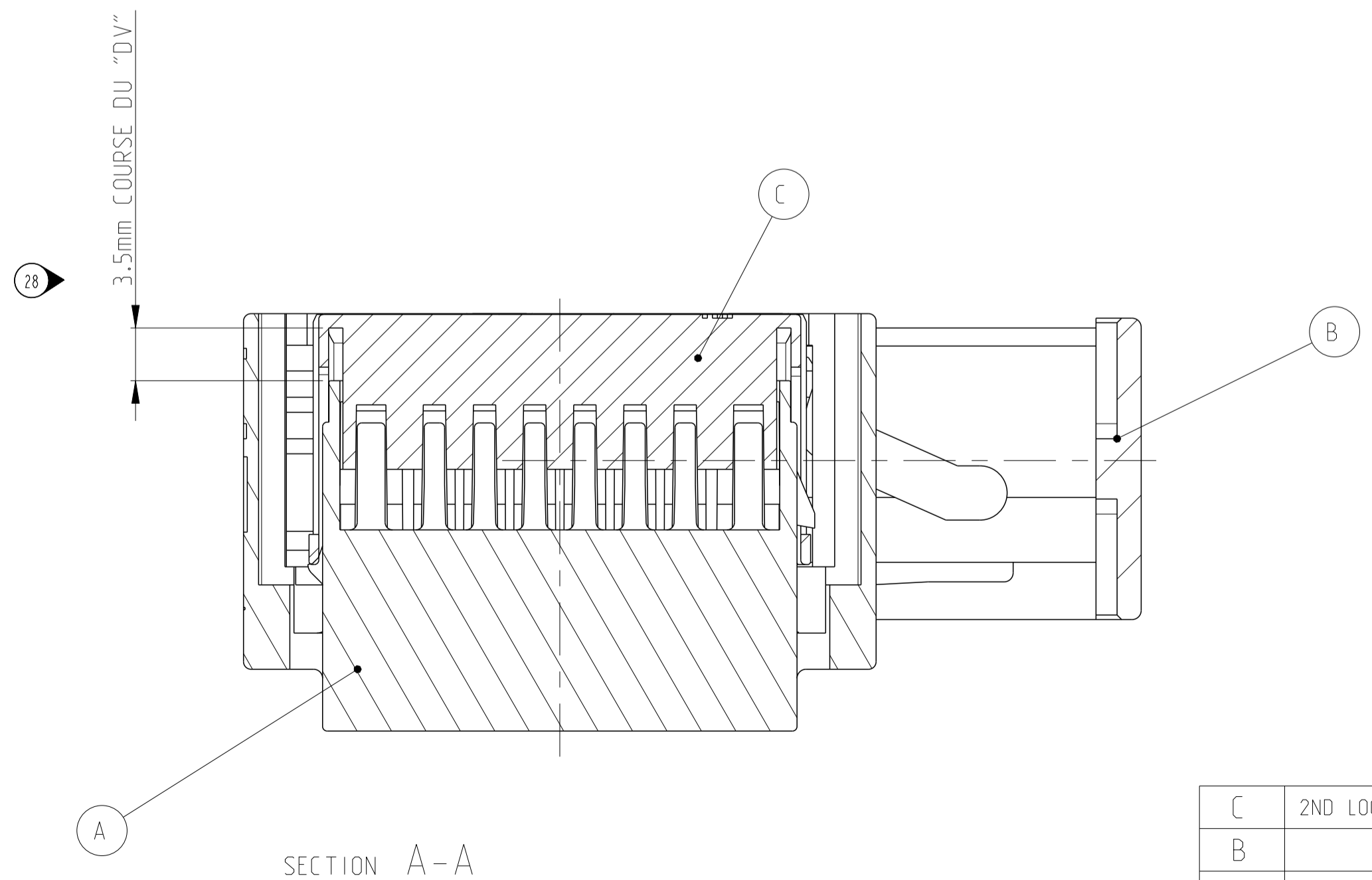
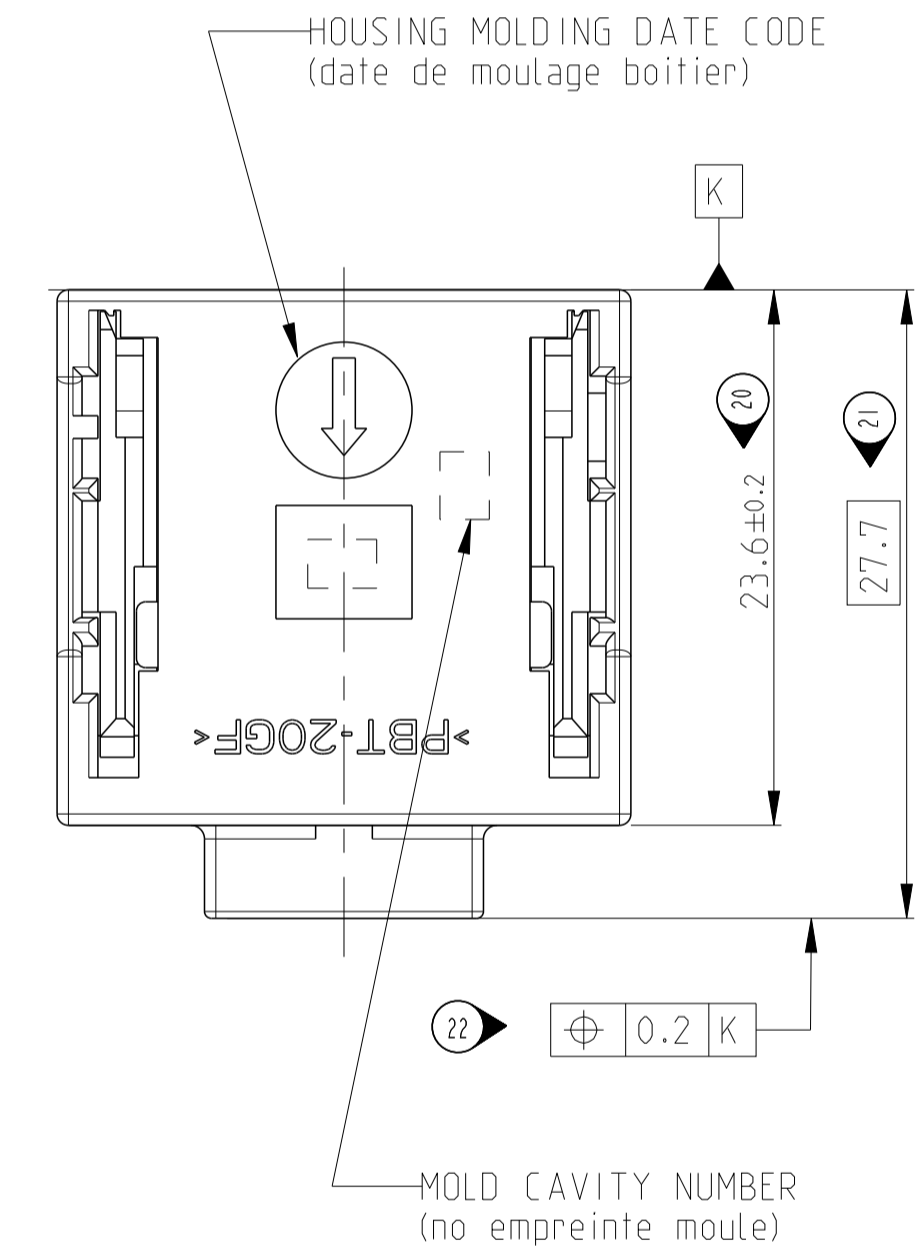
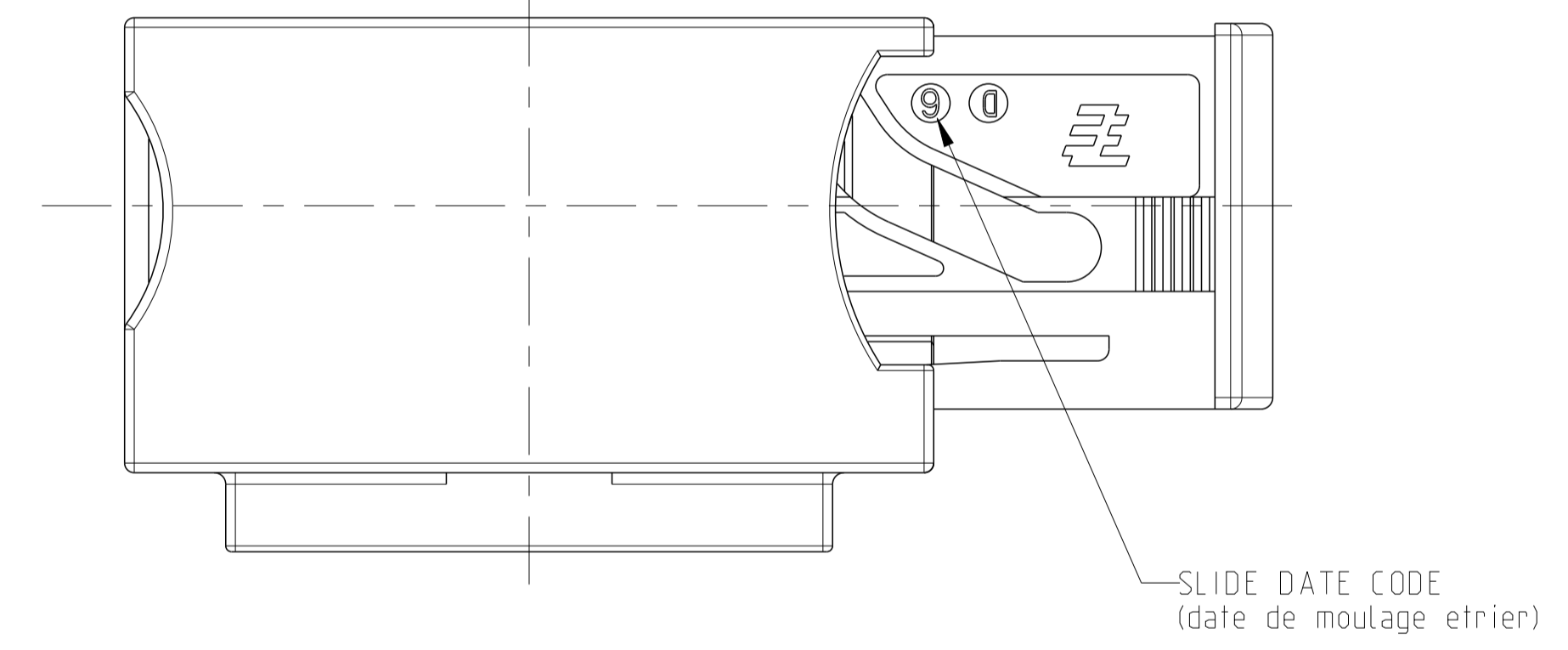


REVISIONS						
P	LTN	REV	DESCRIPTION	DATE	OWN	APP.
A	MISE A	JOUR	PLAN	04FEV2009	NS	XR
B	MISE A	JOUR	PLAN	02AUG2016	NS	XR



185760-6	GREY (GRIS)	30	2.1 $\pm$ 0.1	31	2.0 $\pm$ 0.2	32	2.1 $\pm$ 0.1	33	2.1 $\pm$ 0.1	34	2.0 $\pm$ 0.2
185760-5	BROWN (MARRON)	35	2.1 $\pm$ 0.1	36	2.0 $\pm$ 0.2	37	2.1 $\pm$ 0.1	38	2.1 $\pm$ 0.1	39	2.0 $\pm$ 0.2
185760-4	WHITE (BLANC)	40	2.1 $\pm$ 0.1	41	2.0 $\pm$ 0.2	42	2.1 $\pm$ 0.1	43	2.1 $\pm$ 0.1	44	2.0 $\pm$ 0.2
185760-3	BLUE (BLEU)	45	2.1 $\pm$ 0.1	46	2.0 $\pm$ 0.2	47	2.1 $\pm$ 0.1	48	2.1 $\pm$ 0.1	49	2.0 $\pm$ 0.2
185760-2	GREEN (VERT)	50	2.1 $\pm$ 0.1	51	2.0 $\pm$ 0.2	52	2.1 $\pm$ 0.1	53	2.1 $\pm$ 0.1	54	2.0 $\pm$ 0.2
185760-1	BLACK (NOIR)	55	2.1 $\pm$ 0.1	56	2.0 $\pm$ 0.2	57	2.1 $\pm$ 0.1	58	2.1 $\pm$ 0.1	59	2.0 $\pm$ 0.2



CONTACTS USABLE: 2.8 AND 1.5 TSC OR SICMA II  
CONTACTS UTILISABLES: 2.8 ET 1.5 TSC OU SICMA II

REP	DESIGNATION	MATERIAL (matiere)	OBS.
C	2ND LOCKING (verrou secondaire)	PBT	RED (rouge)
B	SLIDE (etrier)	PBT 15% GF	RED (rouge)
A	REC. HOUSING (boitier PL)	PBT 20% GF	SEE TABLE (voir tableau)

CE PLAN EST PROPRIETE DE TYCO ELECTRONICS. IL REVELE DES INFORMATIONS CONFIDENTIELLES ET EST TRANSMIS A PSA DANS LE SEUL BUT DE DONNER A PSA LA POSSIBILITE DE VERIFIER QUE LES PIECES AINSI REPRESENTES SONT ACCOUPLABLES ET INTERCHANGEABLES AVEC DES PRODUITS D'AUTRES FOURNISSEURS.

IL NE DOIT ETRE NI COPIE NI FOURNI A D'AUTRES PERSONNES, MEME PARTIELLEMENT, SANS UN ACCORD ECRIT DE TYCO ELECTRONICS.

NOTE:	
1	CAVITIES POSITION CONFORM WITH THE INTERFACE DRAWING N° TE: 208-15516
2	CONTACT CAVITIES CONFORM WITH THE "CONNECTRAL" SPECIFICATION N°211FT0123 ET 211FT0124
3	APPLICATION SPECIFICATION N°411-15561
4	SPEC. PACKAGING N°107-15320
5	WARPAGE PERMISSIBLE 0.2
6	INTERFACE DRAWING REF: 208-15516
7	MATING WITH REFS: 185761-1/-6 OR 953253-1/-6
8	EXTRACTION TOOL REF: 951768-1
9	WIRE DIAMETER: - CONTACTS 1.5 : 2.8 DIA - CONTACTS 2.8 : 3.9 DIA

THIS DRAWING IS A CONTROLLED DOCUMENT. (Ce plan est un document controlé par un processus de qualification et de validation.)

TYCO ELECTRONICS

TE Connectivity

16 W HYBRID HOUSING ASSY CONTACT 2.8 AND 1.5 TSC OR SICMA II

DATE: 07 OCT 02

APPROVED: J.J. REVII

PRODUCT SPEC: 108-15165

APPLICATION SPEC: 411-15561

WEIGHT: 0.019

CAGE CODE: 00779

SIZE: A1

SCALE: 3:1

SHEET: 1 OF 1

## X-ON Electronics

Largest Supplier of Electrical and Electronic Components

*Click to view similar products for [Automotive Connectors](#) category:*

*Click to view products by [TE Connectivity](#) manufacturer:*

Other Similar products are found below :

[003-018-000](#) [60403001](#) [60993906-B](#) [M902-2131](#) [M902-2161](#) [M902-2344](#) [72.330.1035.1](#) [73.353.4028.0](#) [F119300-B](#) [F166900](#) [F258300-B](#)  
[F358300-B](#) [F407400](#) [F444110](#) [F487000](#) [F509500B-B](#) [827153-1](#) [8N1515-32-24P](#) [9-1326729-8](#) [925474-1](#) [928905-1](#) [964562-4](#) [968782-1](#)  
[GT17SA-8DS-HU](#) [98891-1012](#) [98947-1016](#) [12004147](#) [12004475-L](#) [12010290](#) [12015454](#) [12020219-B](#) [12041318-B](#) [12052225-L](#) [12052466](#)  
[12064869](#) [12004327-B](#) [12015308](#) [12015384](#) [12015909](#) [1-21030-1](#) [12041254](#) [12041318](#) [12047946-B](#) [12047957](#) [12047957-L](#) [12059473](#)  
[12066261](#) [12110546](#) [12110546-B](#) [12131792](#)