

4

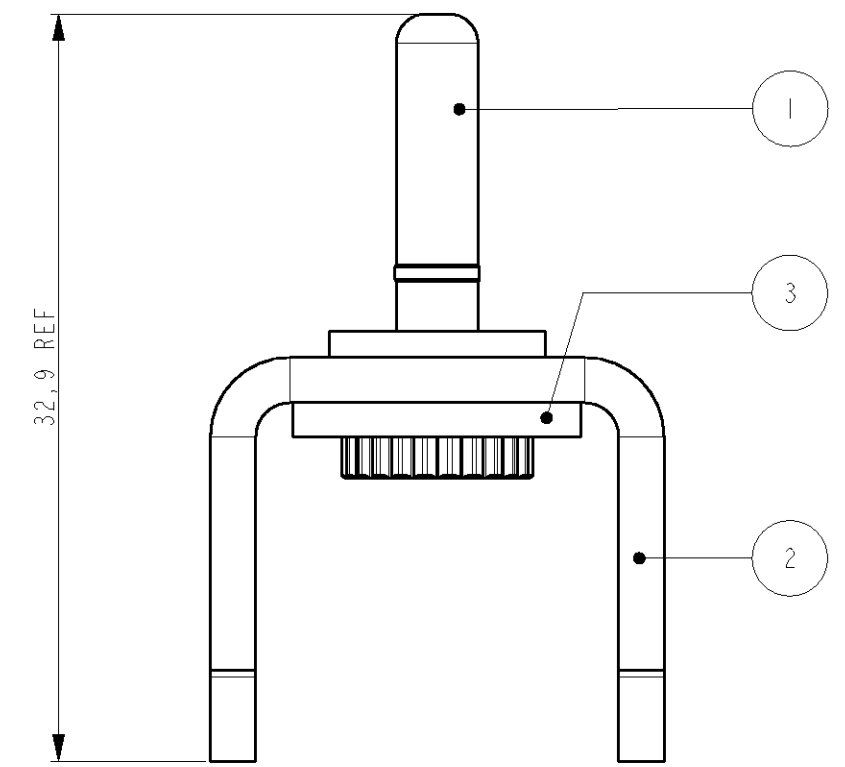
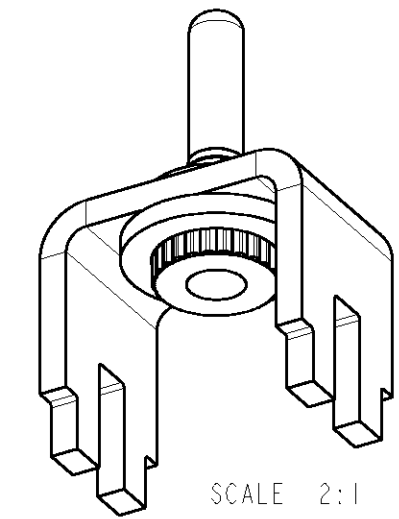
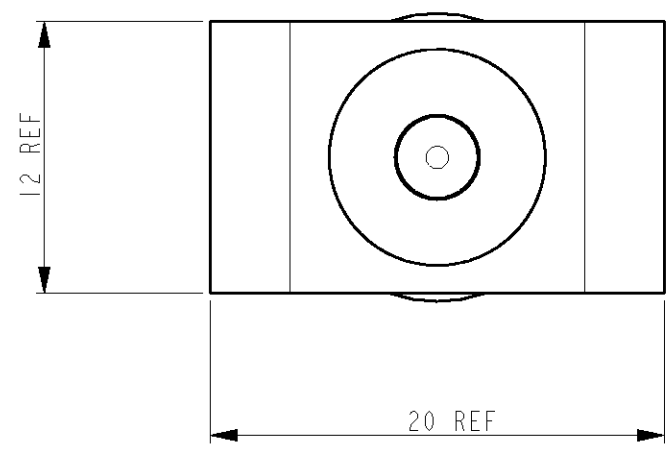
3

2

1

THIS DRAWING IS UNPUBLISHED. RELEASED FOR PUBLICATION 20  
 © COPYRIGHT 20 BY TYCO ELECTRONICS CORPORATION. ALL RIGHTS RESERVED.

LOC	DIST	REVISIONS					
H	-	P	LTR	DESCRIPTION	DATE	DWN	APVD
			A	RELEASED	28MAR2007	RD	RL
			B	ECR-07-013006	01JUN2007	RD	RL
			C	ECR-08-017970	17JUL2008	JvdH	RL



NOTES:

- ① 5,0µm MIN. SILVER OVER 1,0µm MIN. NICKEL
- ② 0,5µm MIN. GOLD OVER 1,0µm MIN. NICKEL
- ③ 4-15µm TIN (MINIMUM IN AREA OF PINS) OVER 1,2µm MIN. NICKEL
- ④ 1,0µm MIN. NICKEL

ITEM NO.	DESCRIPTION	MATERIAL	FINISH	QUANTITY
3	SWAGE WASHER 1,5MM THICK	STEEL	④	1
2	STRIP	COPPER ALLOY	③	1
1	CONTACT PIN SIZE #8	COPPER ALLOY	②	1
1	CONTACT PIN SIZE #8	COPPER ALLOY	①	1

THIS DRAWING IS A CONTROLLED DOCUMENT FOR TYCO ELECTRONICS CORPORATION  
 IT IS SUBJECT TO CHANGE AND THE CONTROLLING ENGINEERING ORGANIZATION  
 SHOULD BE CONTACTED FOR THE LATEST REVISION.

DOWNSIGNED: J. van Hoek 14AUG2006	
CHECKED: R. Daamen 17AUG2006	
APPROVED: J. Broeksteeg 17AUG2006	
PRODUCT SPEC: -	
APPLICATION SPEC: -	
WEIGHT: -	
CUSTOMER DRAWING	

Tyco Electronics Nederland BV 's-Hertogenbosch, The Netherlands	
NAME: BUSBAR WITH CONTACT PIN SIZE #8 SWAGE MOUNTED	
SIZE: A3	CAGE CODE: 00779
DRAWING NO: C-1857925	RESTRICTED TO: -
SCALE: 3:1	SHEET 1 OF 1
REV: C	

1857925-1  
1857925-2

## X-ON Electronics

Largest Supplier of Electrical and Electronic Components

*Click to view similar products for [Power to the Board](#) category:*

*Click to view products by [TE Connectivity](#) manufacturer:*

Other Similar products are found below :

[6450171-4](#) [6450552-7](#) [6600323-8](#) [6643429-1](#) [6646040-2](#) [6651939-1](#) [6766604-1](#) [120959-1](#) [1393557-2](#) [1393532-2](#) [1393532-3](#) [1393532-4](#)  
[1393557-1](#) [1600812-5](#) [1-6450861-2](#) [1744132-7](#) [1761122-1](#) [1766250-1](#) [1892109-1](#) [2-6450860-5](#) [2-6450870-0](#) [1-6450161-4](#) [1-6450850-6](#) [1-](#)  
[6450869-6](#) [1645526-2](#) [1-6600130-0](#) [2005243-2](#) [377-0020-11130](#) [TE34-12-16P-F0](#) [51700-10201602AALF](#) [5-6450830-6](#) [5646956-4](#) [377-](#)  
[0080-11131A](#) [4-6450830-9](#) [4-6600333-3](#) [10125416-4050LF](#) [10130248-005LF](#) [6600320-3](#) [3-6450860-5](#) [1888123-2](#) [6450166-1](#) [6643978-1](#)  
[6766605-1](#) [701-15-02109](#) [N11444](#) [6651938-1](#) [6450810-7](#) [46437-1112](#) [1-1589677-8](#) [5646956-5](#)