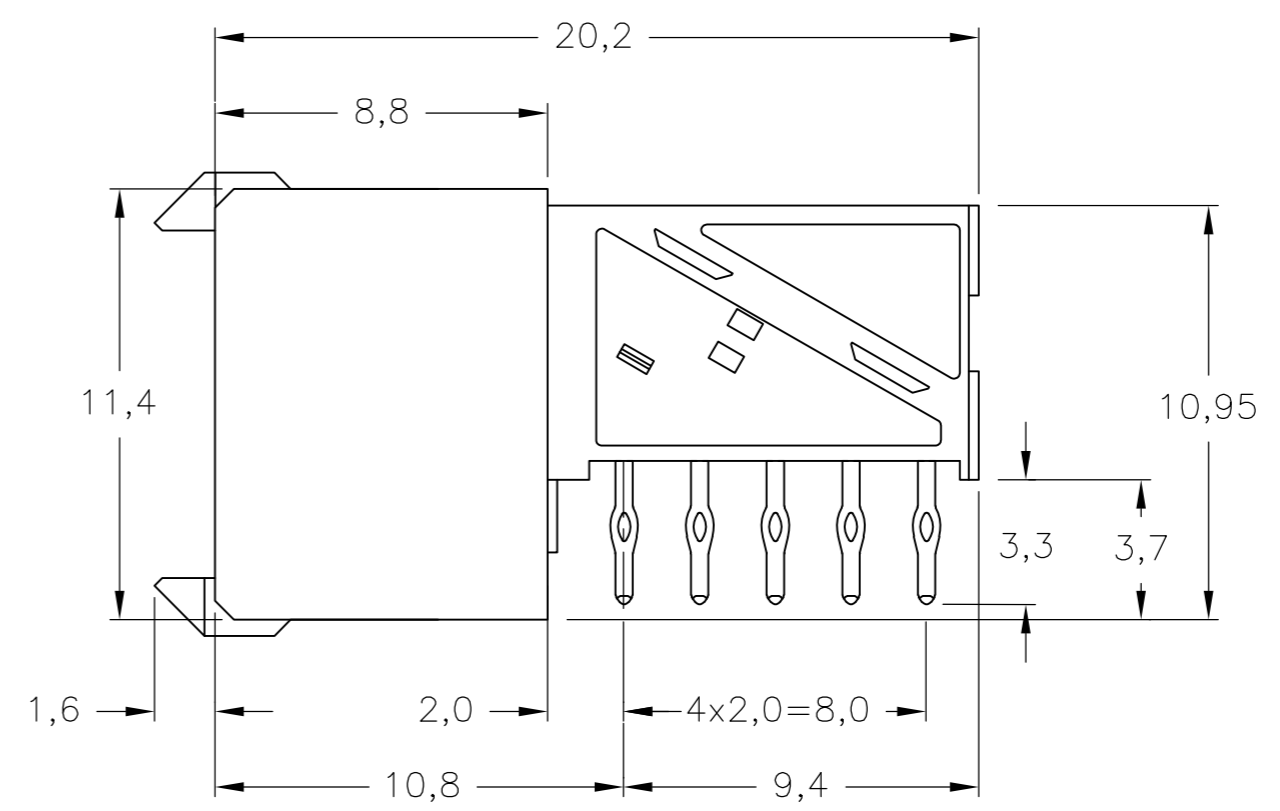
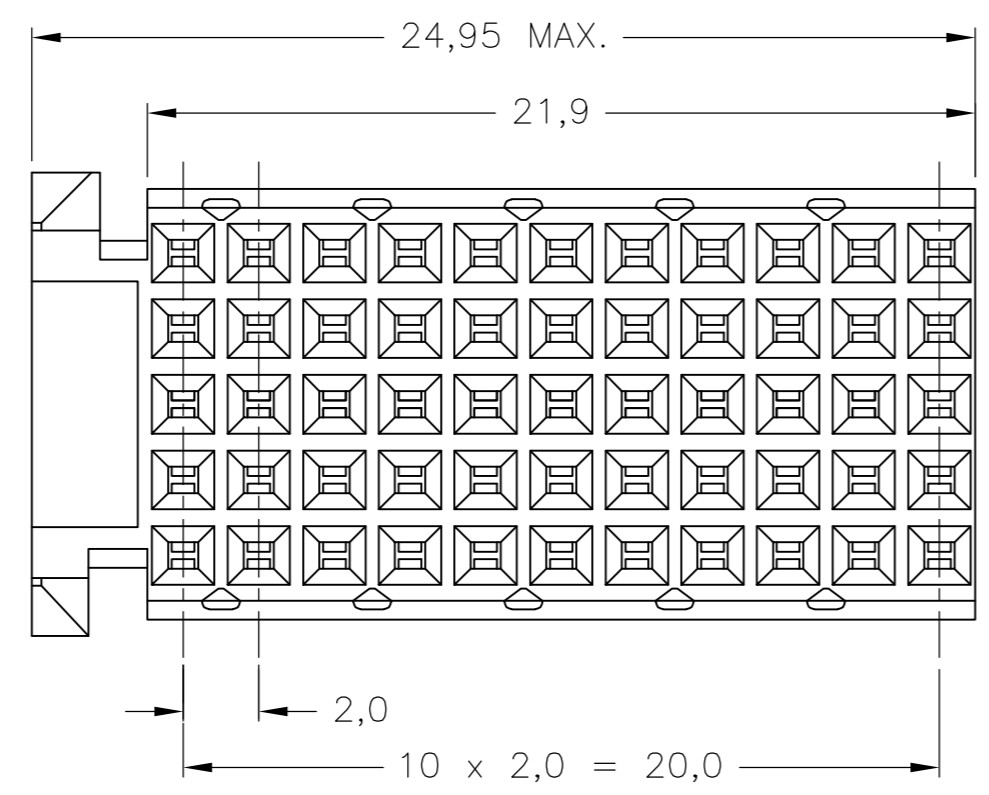
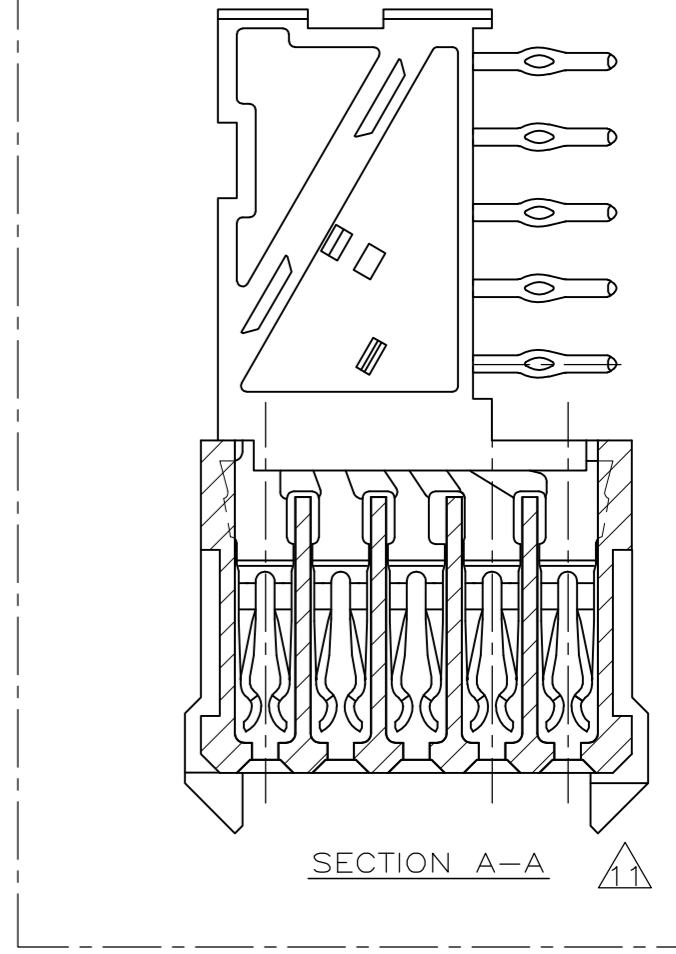
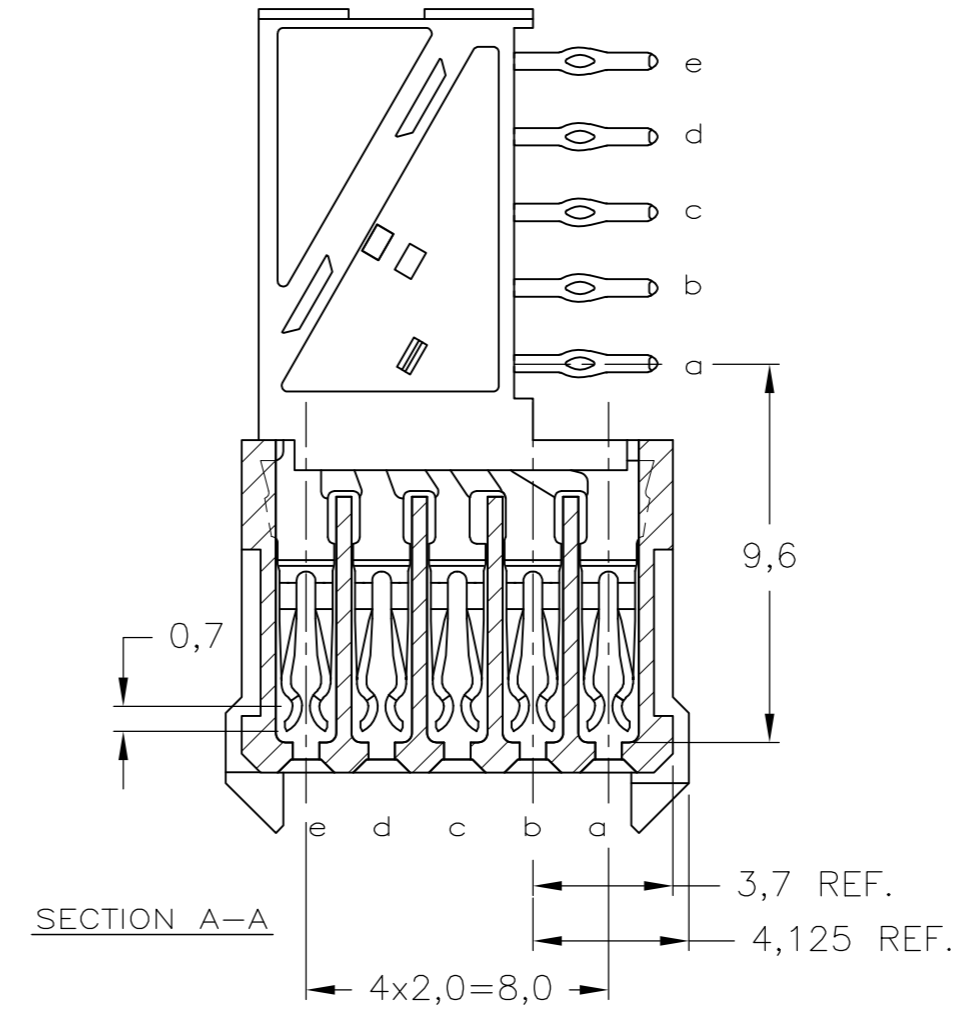
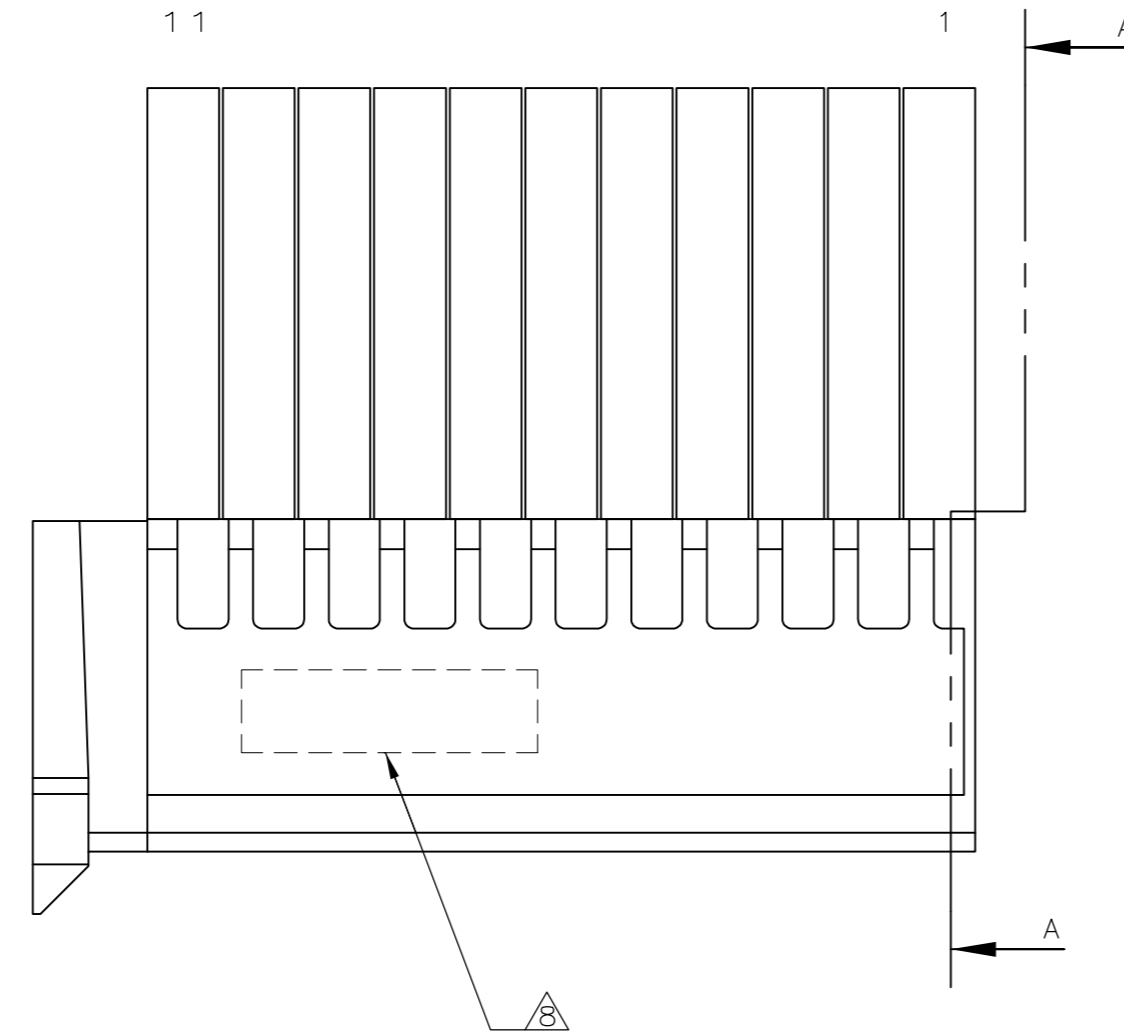
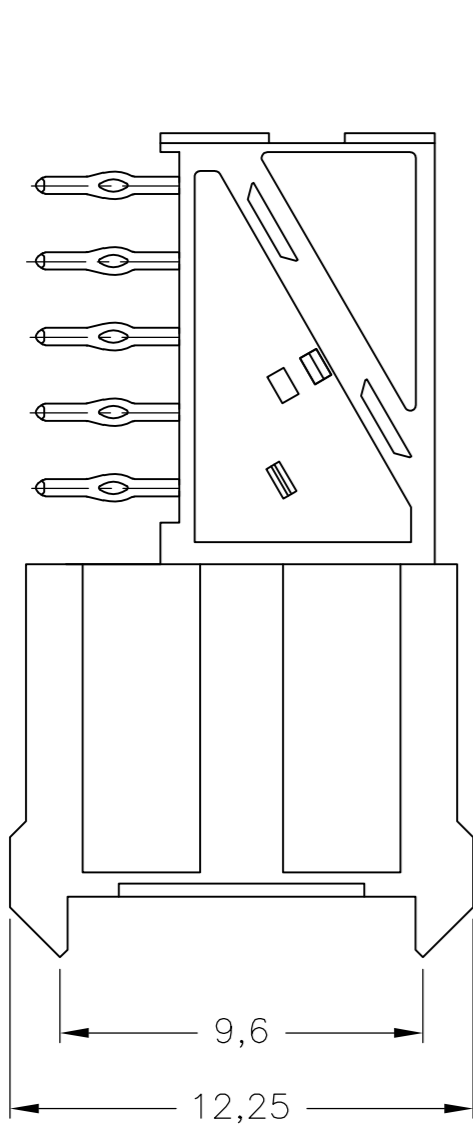


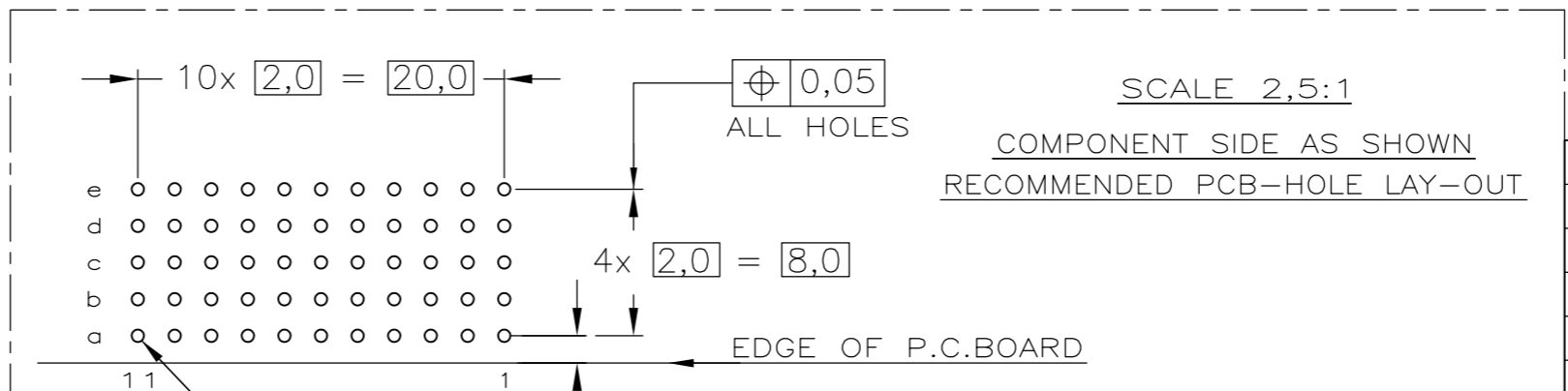
THIS DRAWING IS UNPUBLISHED. RELEASED FOR PUBLICATION  
 © COPYRIGHT BY TYCO ELECTRONICS CORPORATION. ALL RIGHTS RESERVED.

LOC		DIST		REVISIONS			
P	LTR	DESCRIPTION	DATE	DWN	APVD		
C		ECO-11-024491	13DEC11	SY	MQW		



NOTES:

- ⚠ MATERIAL CONTACT; PHOSPHORBRONZE  
MATERIAL HOUSING; GLASSFILLED POLYESTER (GRAY)  
UL-RATING 94V0.
- ⚠ GENERAL PLATING SPECIFICATION: UNDERPLATING (ENTIRE CONTACT): 1,27µm NICKEL MIN.  
AND COMPLIANT PIN SECTION: 0,5µm TIN MIN.  
FOR PLATING OF MATING SURFACES SEE APPLICABLE SPECIFICATION REFERENCE FOR EACH DASH NUMBER.
- ⚠ CONFORMS TO ALL TESTING ACCORDING IEC 61076-4-101 PERFORMANCE LEVEL 2.
- ⚠ CONFORMS TO ALL TESTING ACCORDING IEC 61076-4-101 PERFORMANCE LEVEL 1.
- ⚠ CONNECTOR TESTED AND QUALIFIED AGAINST TELCORDIA GR-1217-CORE QUALITY LEVEL III, CENTRAL OFFICE APPLICATIONS.
- ⚠ CONNECTOR TESTED AND QUALIFIED AGAINST TELCORDIA GR-1217-CORE QUALITY LEVEL III, UNCONTROLLED ENVIRONMENT APPLICATIONS.
- ⚠ CONNECTOR LUBRICATED WITH TELCORDIA GR-1217-CORE APPROVED LUBRICANT.
- ⚠ CONNECTOR PRINTED WITH PARTNUMBER AND DATECODE  
THE MARKING CAN APPEAR ON THE FRONT SIDE OR ON THE BACK SIDE.
- ⚠ PLATED-THROUGH HOLES AT 2x2mm SQUARE GRID. 55 HOLES
- ⚠ FITS WITH INTEGRATED GROUND RETURN UPPERSHIELD, BASIC P.N. 5352111  
AND INTEGRATED GROUND RETURN LOWERSHIELD, BASIC P.N. 5352112
- ⚠ CONNECTOR ASSEMBLED WITH REDESIGNED CONTACTS.  
CONTACTS HAVE A CORING-OUT IN THE PLASTIC.



FINISH	MATERIAL	PARTNUMBER
⚠ 6 ⚠	⚠	1-1857991-9
⚠ 5 ⚠	⚠	1857991-9
⚠ 4 ⚠	⚠	1857991-4
⚠ 3 ⚠	⚠	1857991-1

THIS DRAWING IS A CONTROLLED DOCUMENT.

DWN	J.van Hoek	23AUG2007
CHK	B.Mooij	23AUG2007
APVD	J.Broeksteeg	23AUG2007
PRODUCT SPEC	108-19082	
APPLICATION SPEC	114-19029	
WEIGHT	-	

**Tyco Electronics** Tyco Electronics Corporation  
 's-Hertogenbosch, 5222AR-32

NAME: Z-PACK 2mm HM TYPE C  
 55 POS. FEMALE CONNECTOR

SIZE	A2	CAGE CODE	00779	DRAWING NO	C=1857991	RESTRICTED TO	-
SCALE	4:1	SHEET	1	OF	1	REV	C

P.C.B. HOLE DIM. COMPLIANT PIN  
 FOR DETAILS SEE APPLICATION SPECIFICATION

## X-ON Electronics

Largest Supplier of Electrical and Electronic Components

*Click to view similar products for [Hard Metric Connectors](#) category:*

*Click to view products by [TE Connectivity](#) manufacturer:*

Other Similar products are found below :

[10146110-VR5C](#) [6345127-1](#) [646916-9](#) [853016](#) [973108](#) [1-2000676-2](#) [1-2000713-0](#) [1-2000713-2](#) [1-2000713-3](#) [134187](#) [1645343-1](#) [1645456-1](#) [1645601-1](#) [1934822-1](#) [223085-1](#) [278071110010833](#) [1645245-1](#) [1645525-1](#) [1645570-1](#) [1645596-1](#) [1857470-1](#) [1934275-1](#) [1934289-1](#) [1934759-1](#) [2000673-1](#) [204975](#) [2170292-2](#) [2-536642-6](#) [3-100668-0](#) [352188-1](#) [352629-1](#) [3-646346-0](#) [3-646457-0](#) [3-646529-0](#) [5120823-1](#) [5120899-1](#) [3-100145-0](#) [3-100147-0](#) [3-100669-1](#) [HM2DK2368PLF](#) [5646530-1](#) [3-352049-0](#) [3-352069-0](#) [3-352115-0](#) [3-352638-0](#) [352189-1](#) [3-646357-0](#) [3-646487-0](#) [3-646513-0](#) [51208191](#)