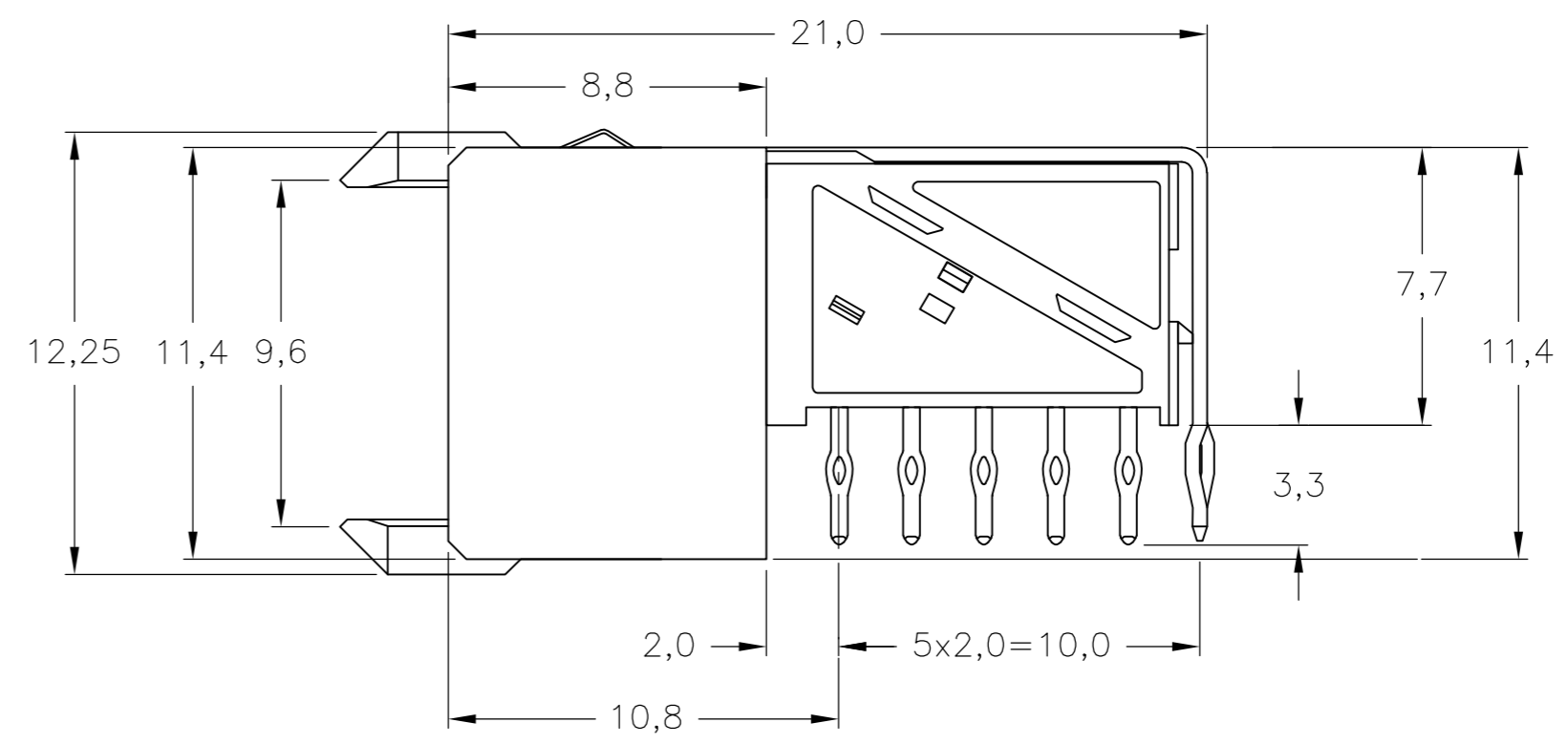
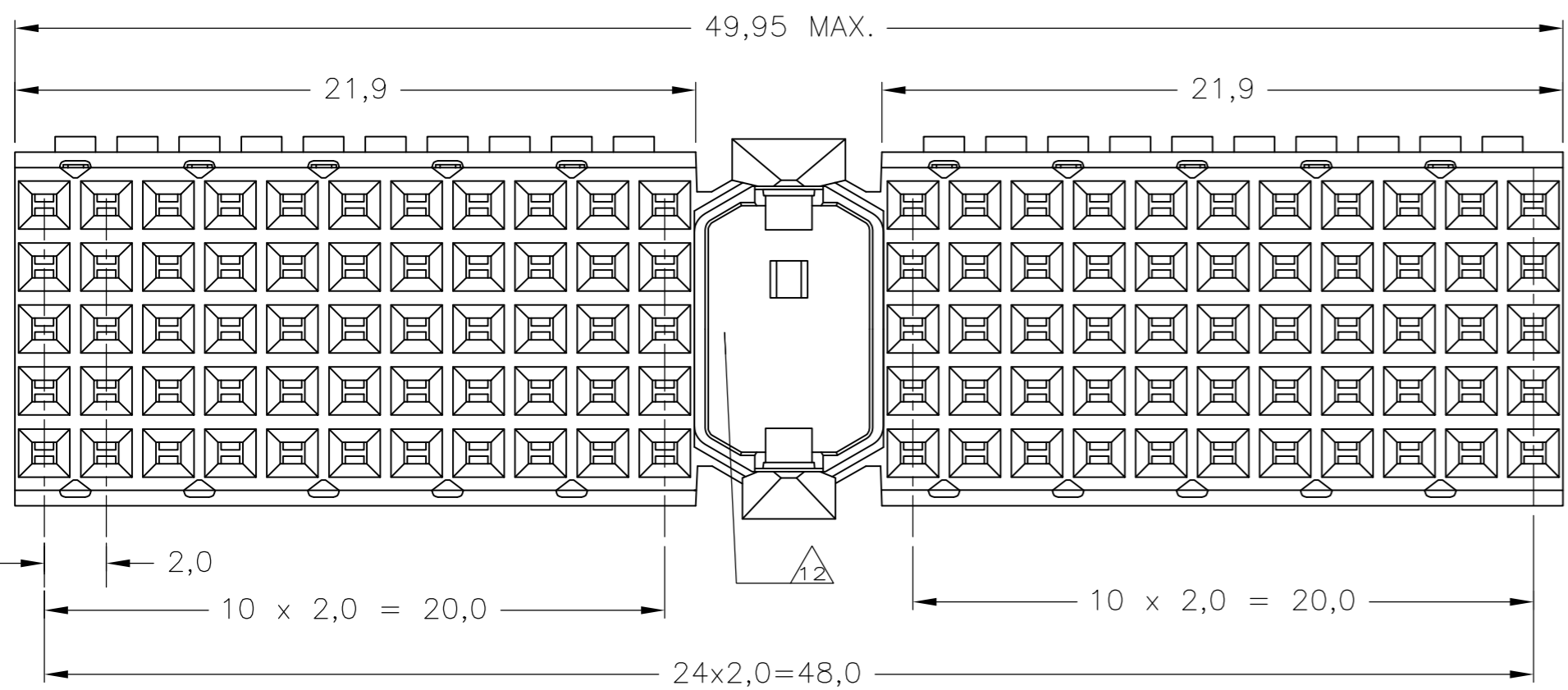
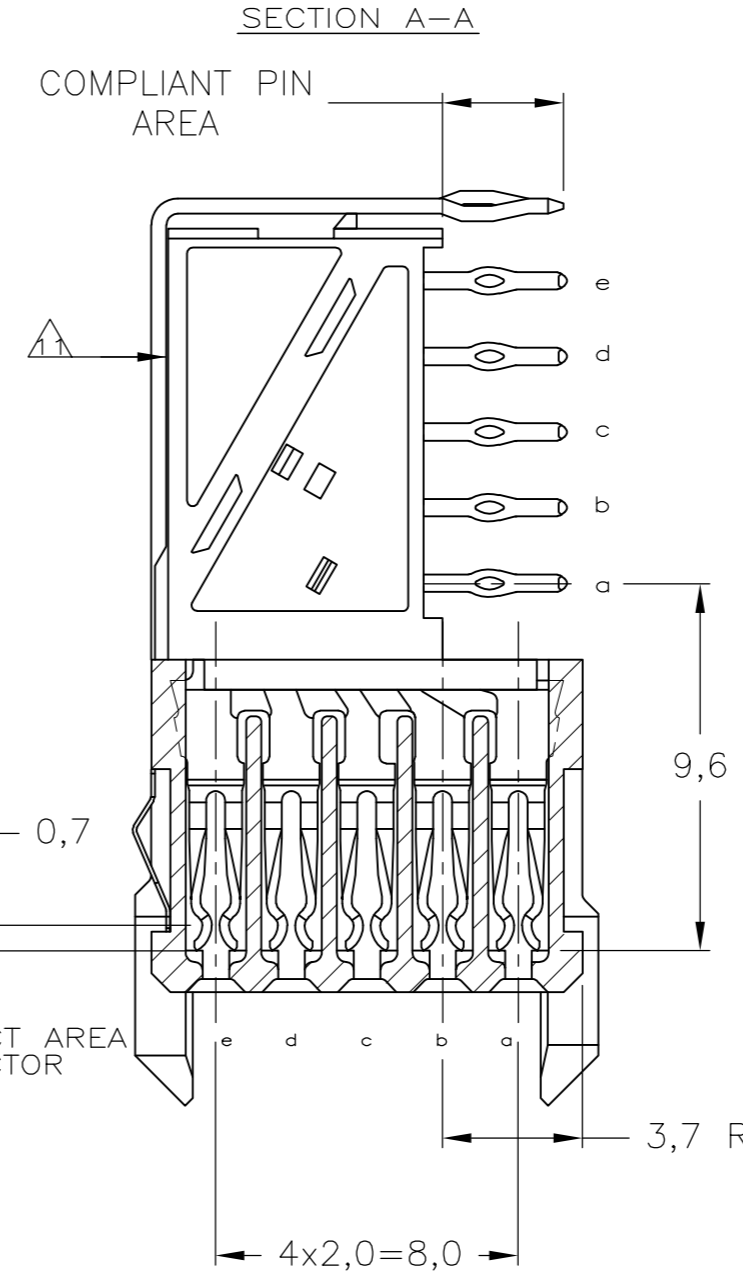
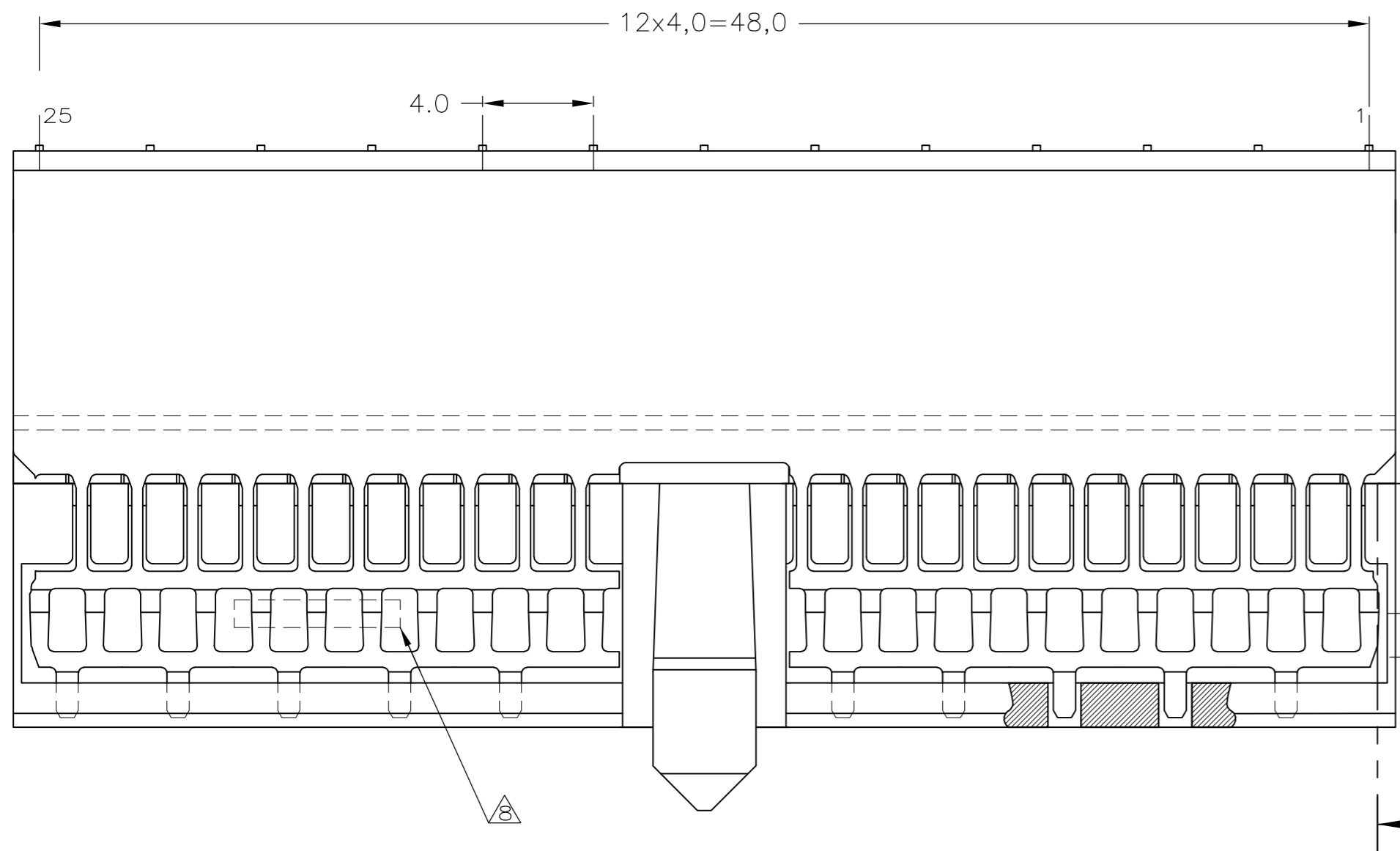


THIS DRAWING IS UNPUBLISHED. RELEASED FOR PUBLICATION
 © COPYRIGHT BY TYCO ELECTRONICS CORPORATION. ALL RIGHTS RESERVED.

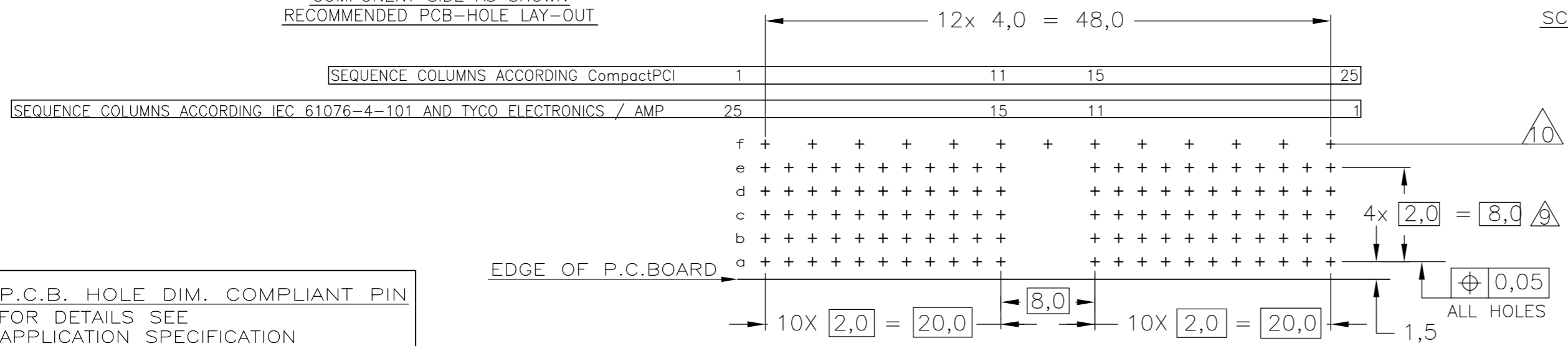
LOC	DIST	REVISIONS					
		P	LTR	DESCRIPTION	DATE	DWN	APVD
H	-	A1		ECR-07-024984	19OCT2007	JvH	JB
		C		ECO-11-024491	13DEC11	SY	MQW

NOTES:

- ⚠ MATERIAL CONTACTS; PHOSPHORBRONZE
- ⚠ MATERIAL HOUSING; GLASSFILLED POLYESTER (GRAY)
- ⚠ GENERAL PLATING SPECIFICATION: UNDERPLATING (ENTIRE CONTACT): 1,27µm NICKEL MIN. AND COMPLIANT PIN SECTION: 0,5µm TIN MIN. FOR PLATING OF MATING SURFACES SEE APPLICABLE SPECIFICATION REFERENCE FOR EACH DASH NUMBER.
- ⚠ CONFORMS TO ALL TESTING ACCORDING IEC 61076-4-101 PERFORMANCE LEVEL 2.
- ⚠ CONFORMS TO ALL TESTING ACCORDING IEC 61076-4-101 PERFORMANCE LEVEL 1.
- ⚠ CONNECTOR TESTED AND QUALIFIED AGAINST TELCORDIA GR-1217-CORE QUALITY LEVEL III, CENTRAL OFFICE APPLICATIONS.
- ⚠ CONNECTOR LUBRICATED WITH TELCORDIAGR-1217-CORE APPROVED LUBRICANT.
- ⚠ PLATING SHIELD:
CONTACT AREA: 0,76µm Au MIN.
COMPLIANT PIN SECTION: 0,5µm Sn MIN.
REMAINDER : Ni
- ⚠ ASSEMBLY PRINTED WITH P/N AND DATECODE
THE MARKING CAN APPEAR ON THE FRONT SIDE OR BACK SIDE.
- ⚠ HOLE PATTERN FOR FEMALE CONNECTOR TYPE A
110 PLATED-THROUGH HOLES AT 2x2mm SQUARE GRID
- ⚠ ROW "f" 13 PLATED THROUGH HOLES FOR UPBERSHIELD
- ⚠ SHIELD MOUNTED ON CONNECTOR WITH DOUBLE SIDED ADHESIVE TAPE OR ADHESIVE.
- ⚠ AREA RESERVED FOR KEYING PART (BASIC P.N. 100526)
13 BASIC P.N. LOWERSHIELD: 5338108



COMPONENT SIDE AS SHOWN
 RECOMMENDED PCB-HOLE LAY-OUT



SCALE 2,5:1

FINISH	MATERIAL	PARTNUMBER
⚠ ⚠ ⚠ ⚠	⚠	1857994-9
⚠ ⚠ ⚠	⚠	1857994-4
⚠ ⚠ ⚠	⚠	1857994-1

THIS DRAWING IS A CONTROLLED DOCUMENT.		DWN J.van Hoek 23AUG2007	Tyco Electronics Corporation 's-Hertogenbosch, 5222AR-32	
DIMENSIONS: mm		CHK J.Broeksteeg 23AUG2007		
TOLERANCES UNLESS OTHERWISE SPECIFIED:		APVD B.Mooij 23AUG2007	NAME	
6-PLG ±		PRODUCT SPEC	Z-PACK 2mm HM	
1-PLG ±		APPLICATION SPEC	TYPE A - 25 COLUMNS	
2-PLG ± ±0.2		108-19082	PRE-SHIELDED RECEPTACLE	
3-PLG ±		114-19029	SIZE A2	CAGE CODE 00779
4-PLG ±		WEIGHT -	DRAWING NO C=1857994	RESTRICTED TO -
ANGLES ±		CUSTOMER DRAWING	SCALE 5:1	SHEET 1 OF 1
FINISH -			REV C	

X-ON Electronics

Largest Supplier of Electrical and Electronic Components

Click to view similar products for [Hard Metric Connectors](#) category:

Click to view products by [TE Connectivity](#) manufacturer:

Other Similar products are found below :

[6345127-1](#) [646916-9](#) [6469658-1](#) [973108](#) [1-2000713-0](#) [1-2000713-2](#) [1-2000713-3](#) [1645343-1](#) [1645456-1](#) [1645594-1](#) [1645595-1](#) [1645601-1](#)
[1934822-1](#) [278071110010833](#) [1645179-1](#) [1645245-1](#) [1645457-1](#) [1645525-1](#) [1645570-1](#) [1645596-1](#) [17041102202](#) [1857470-1](#) [1934275-1](#)
[1934289-1](#) [1934759-1](#) [2000673-1](#) [2170292-2](#) [2-536642-6](#) [3-106015-1](#) [352188-1](#) [352629-1](#) [5120823-1](#) [5120899-1](#) [3-100145-0](#) [3-100147-0](#)
[3-100669-1](#) [3-106081-0](#) [HM2DK2368PLF](#) [5646530-1](#) [3-352049-0](#) [3-352069-0](#) [3-352115-0](#) [3-352638-0](#) [352189-1](#) [3-646357-0](#) [3-646487-0](#)
[3-646513-0](#) [104108](#) [106726-1](#) [114352](#)