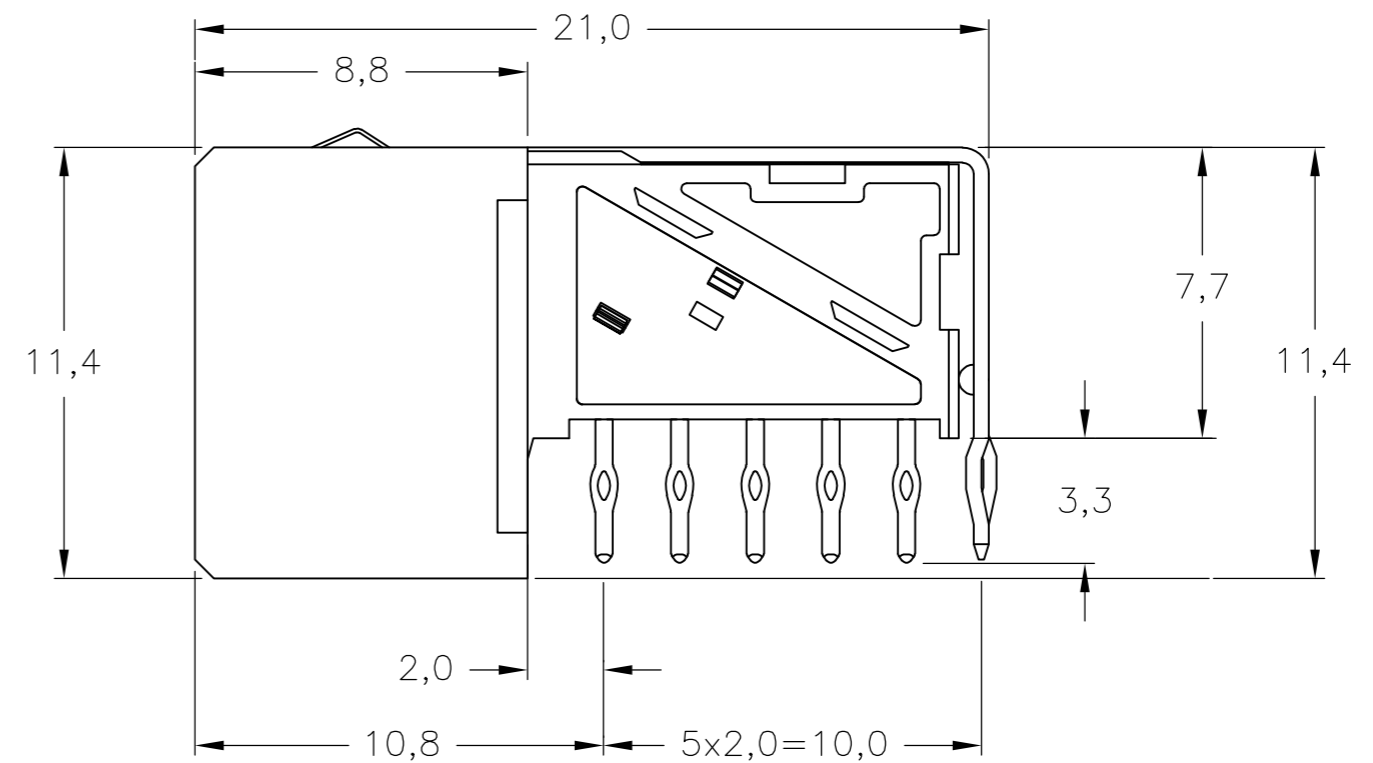
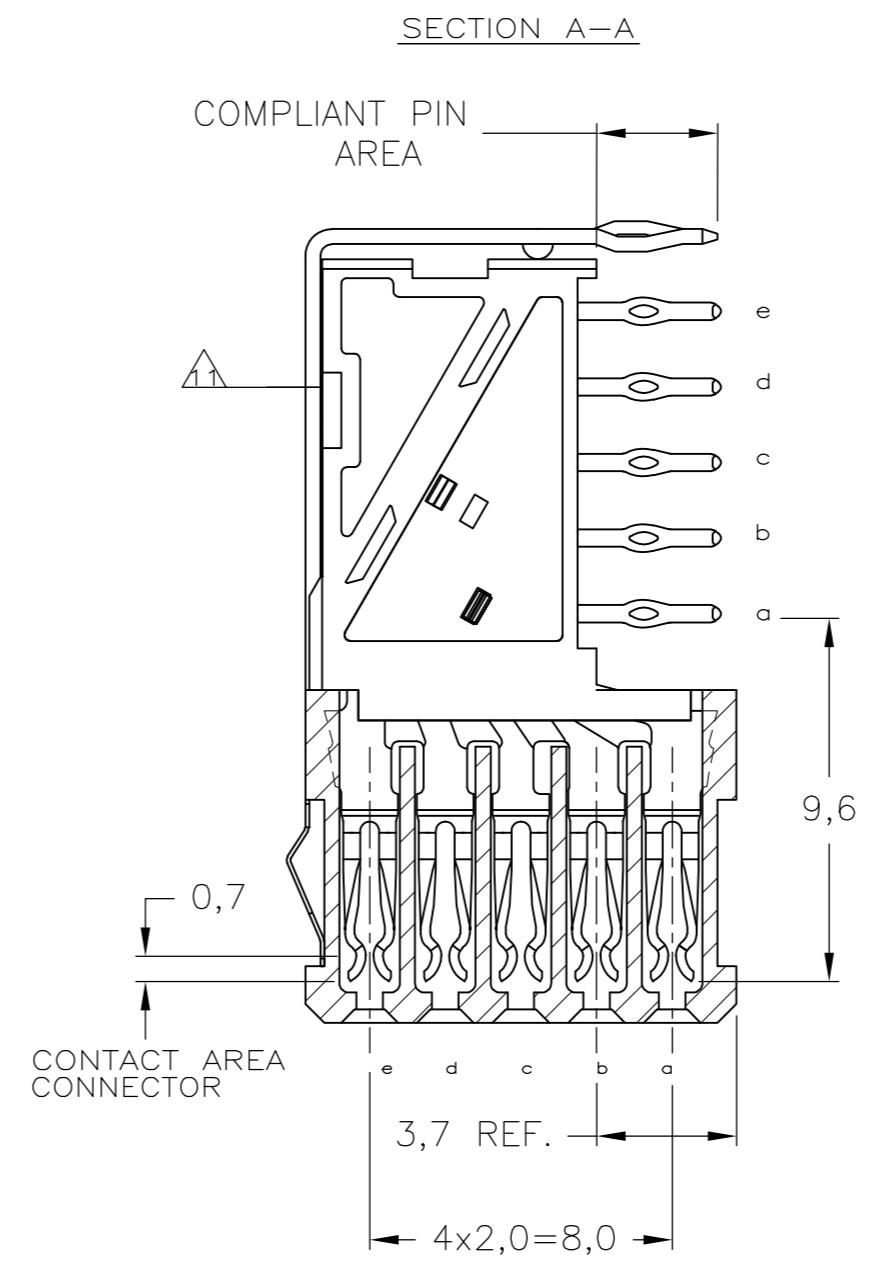
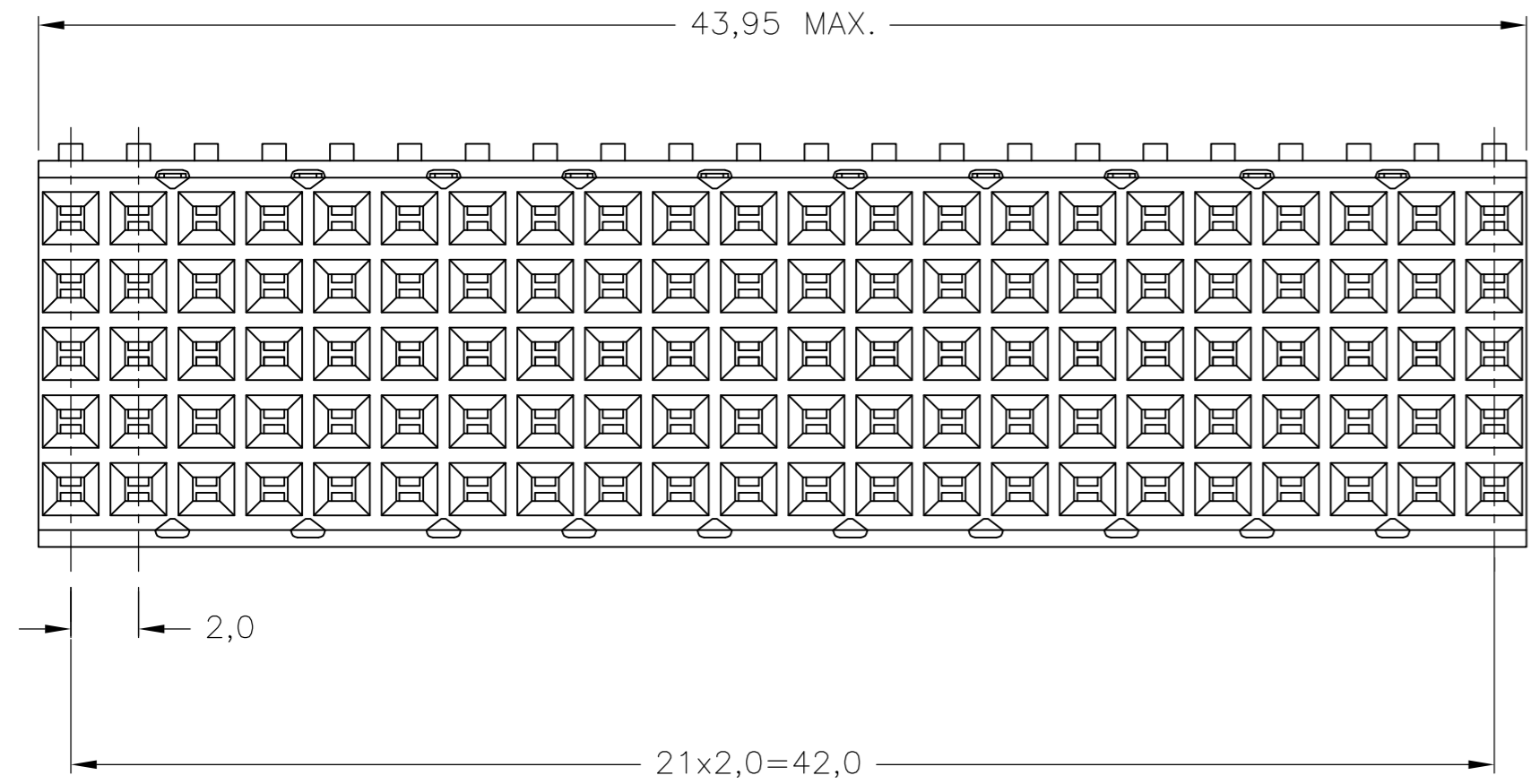
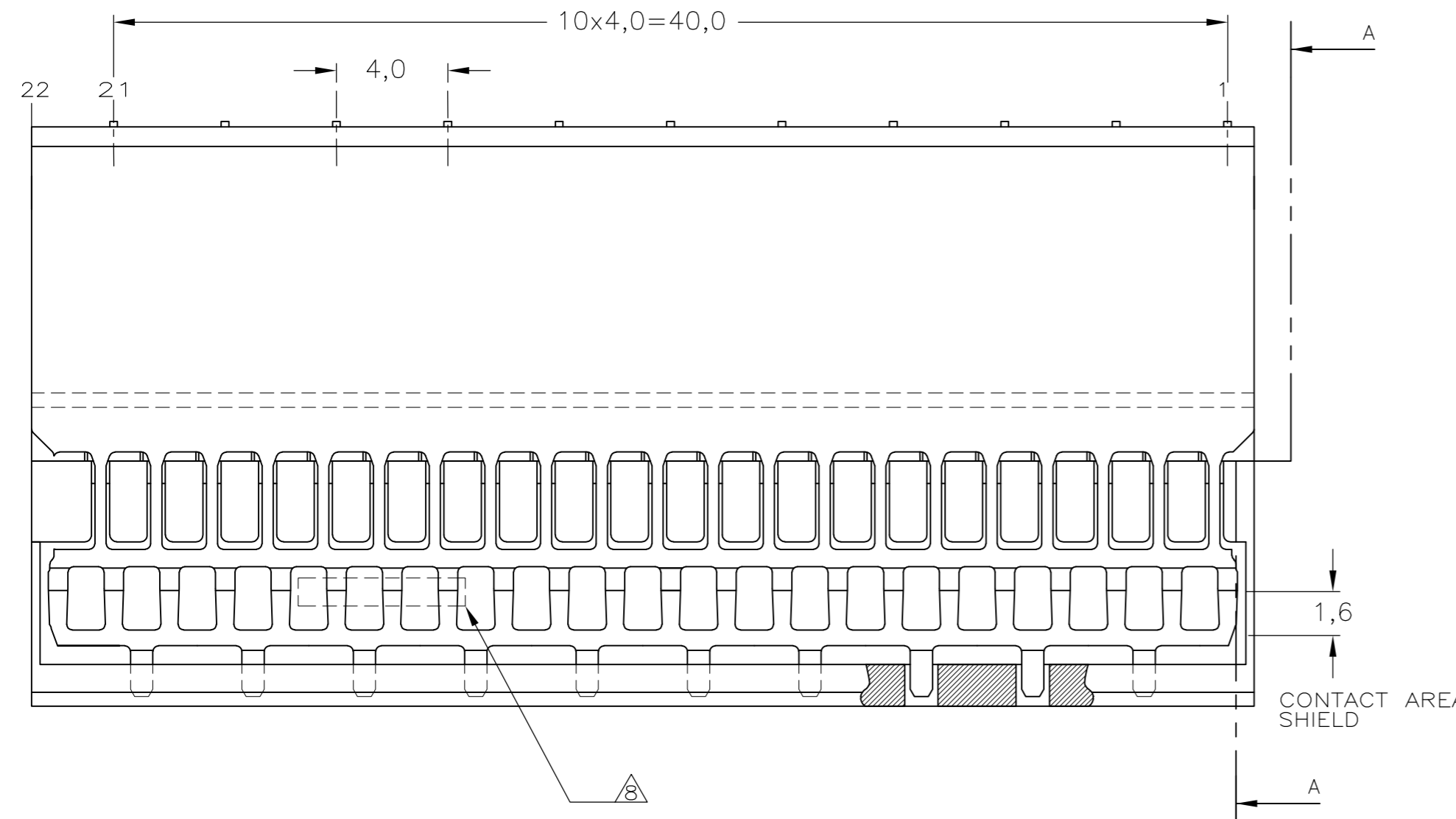


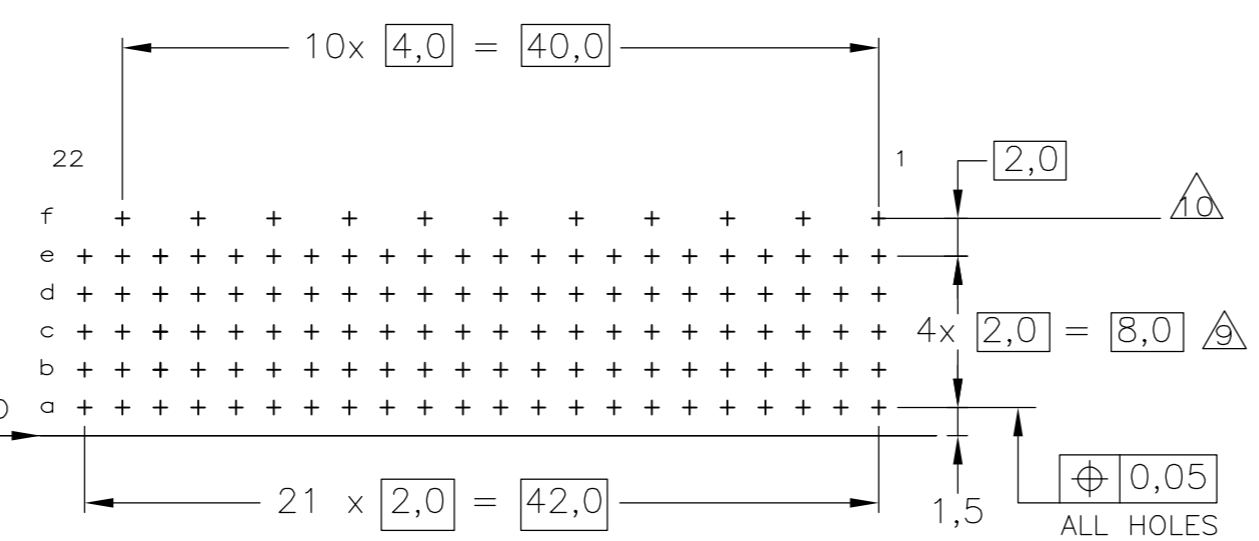
THIS DRAWING IS UNPUBLISHED. RELEASED FOR PUBLICATION
 © COPYRIGHT BY TYCO ELECTRONICS CORPORATION. ALL RIGHTS RESERVED.

LOC		DIST		REVISIONS			
P	LTR	DESCRIPTION	DATE	DWN	APVD		
A1		ECR-07-024984	19OCT2007	JvH	JB		
B		ECR-10-018652	10SEP10	SW	MQW		
C		ECO-11-024491	13DEC11	SY	MQW		



- NOTES:
- △ MATERIAL CONTACTS; PHOSPHORBRONZE
 - △ MATERIAL HOUSING; GLASSFILLED POLYESTER (GRAY)
 - △ GENERAL PLATING SPECIFICATION: UNDERPLATING (ENTIRE CONTACT): 1,27μm NICKEL MIN. AND COMPLIANT PIN SECTION: 0,5μm TIN MIN. FOR PLATING OF MATING SURFACES SEE APPLICABLE SPECIFICATION REFERENCE FOR EACH DASH NUMBER.
 - △ CONFORMS TO ALL TESTING ACCORDING IEC 61076-4-101 PERFORMANCE LEVEL 2.
 - △ CONFORMS TO ALL TESTING ACCORDING IEC 61076-4-101 PERFORMANCE LEVEL 1.
 - △ CONNECTOR TESTED AND QUALIFIED AGAINST TELCORDIA GR-1217-CORE QUALITY LEVEL III, CENTRAL OFFICE APPLICATIONS.
 - △ CONNECTOR LUBRICATED WITH TELCORDIA GR-1217-CORE APPROVED LUBRICANT.
 - △ PLATING SHIELD: μm Au MIN.
 - △ CONTACT AREA: 0,76
 - △ COMPLIANT PIN SECTION: 0,5μm Sn MIN.
 - △ REMAINDER : Ni
 - △ ASSEMBLY PRINTED WITH P/N AND DATECODE
 - △ THE MARKING CAN APPEAR ON THE FRONT SIDE OR BACK SIDE.
 - △ HOLE PATTERN FOR FEMALE CONNECTOR TYPE B-22 COLUMNS 110 PLATED-THROUGH HOLES AT 2x2mm SQUARE GRID
 - △ ROW "f" 11 PLATED THROUGH HOLES FOR UPPERSHIELD
 - △ SHIELD MOUNTED ON CONNECTOR WITH DOUBLE SIDED ADHESIVE TAPE OR ADHESIVE.
 - 12 BASIC P.N. LOWERSHIELD : 5352468.

COMPONENT SIDE AS SHOWN
 RECOMMENDED PCB-HOLE LAY-OUT
 SCALE 2,5:1



P.C.B. HOLE DIM. COMPLIANT PIN
 FOR DETAILS SEE
 APPLICATION SPECIFICATION

THIS DRAWING IS A CONTROLLED DOCUMENT.		DWN J.van Hoek 23AUG2007	Tyco Electronics Corporation	
DIMENSIONS: mm		CHK B.Mooij 23AUG2007	's-Hertogenbosch,5222AR-32	
TOLERANCES UNLESS OTHERWISE SPECIFIED: ±0.2		APVD J.Broeksteeg 23AUG2007	NAME	
6-PLG ±		108-19082		
1-PLG ±		114-19029		
2-PLG ±		WEIGHT -		
3-PLG ±		CUSTOMER DRAWING		
4-PLG ±		SCALE 5:1 SHEET 1 OF 1 REV C		
ANGLES ±		FINISH		
FINISH		MATERIAL		
FINISH		PARTNUMBER		
FINISH		PARTNUMBER		
FINISH		PARTNUMBER		

Z-PACK 2mm HM
 TYPE B - 22 COLUMNS
 PRE-SHIELDED RECEPTACLE

X-ON Electronics

Largest Supplier of Electrical and Electronic Components

Click to view similar products for [Hard Metric Connectors](#) category:

Click to view products by [TE Connectivity](#) manufacturer:

Other Similar products are found below :

[6345127-1](#) [646916-9](#) [6469658-1](#) [973108](#) [1-2000713-0](#) [1-2000713-2](#) [1-2000713-3](#) [1645343-1](#) [1645456-1](#) [1645594-1](#) [1645595-1](#) [1645601-1](#)
[1934822-1](#) [278071110010833](#) [1645179-1](#) [1645245-1](#) [1645457-1](#) [1645525-1](#) [1645570-1](#) [1645596-1](#) [17041102202](#) [1857470-1](#) [1934275-1](#)
[1934289-1](#) [1934759-1](#) [2000673-1](#) [2170292-2](#) [2-536642-6](#) [3-106015-1](#) [352188-1](#) [352629-1](#) [5120823-1](#) [5120899-1](#) [3-100145-0](#) [3-100147-0](#)
[3-100669-1](#) [3-106081-0](#) [HM2DK2368PLF](#) [5646530-1](#) [3-352049-0](#) [3-352069-0](#) [3-352115-0](#) [3-352638-0](#) [352189-1](#) [3-646357-0](#) [3-646487-0](#)
[3-646513-0](#) [106726-1](#) [114352](#) [114619](#)