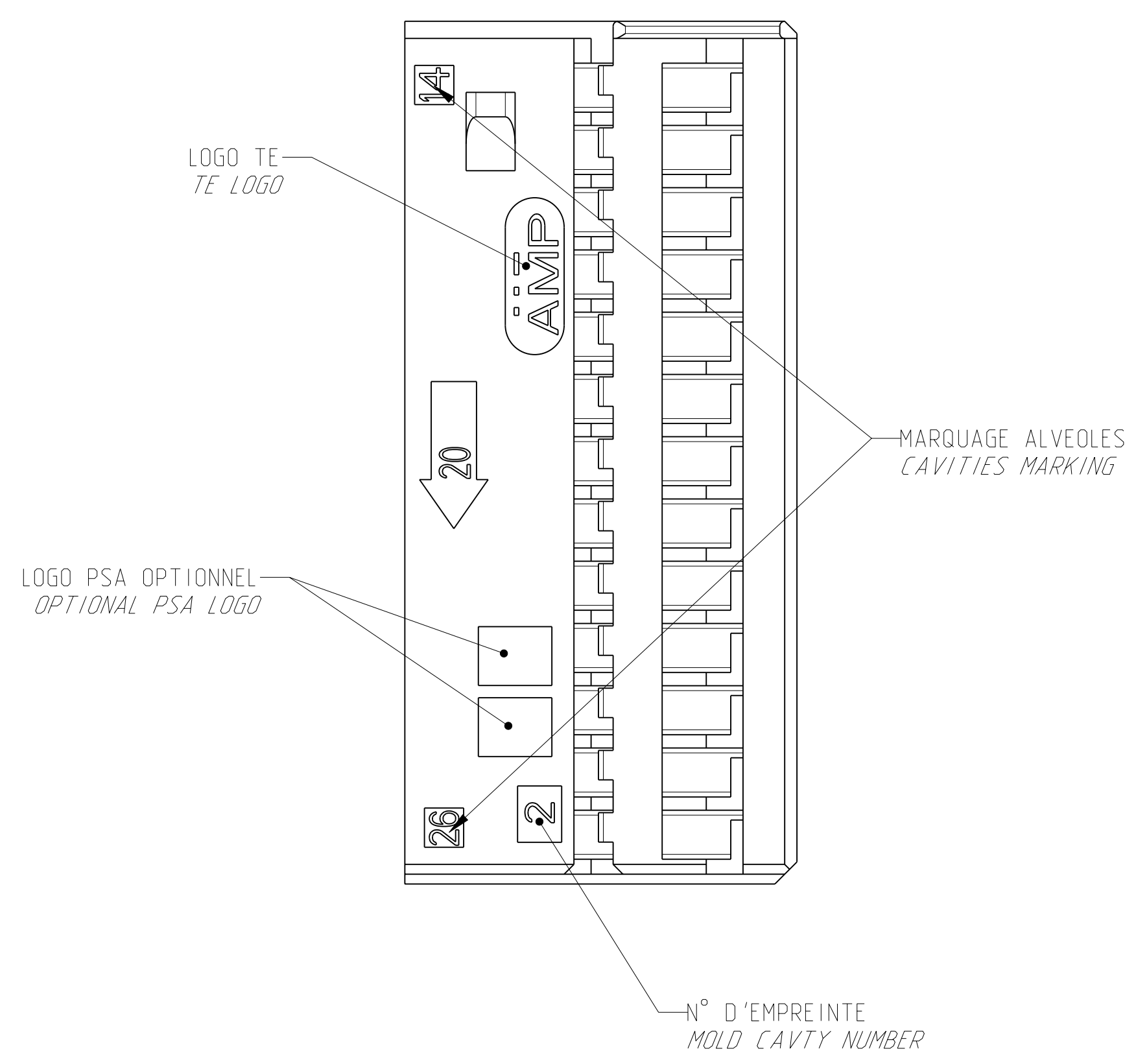
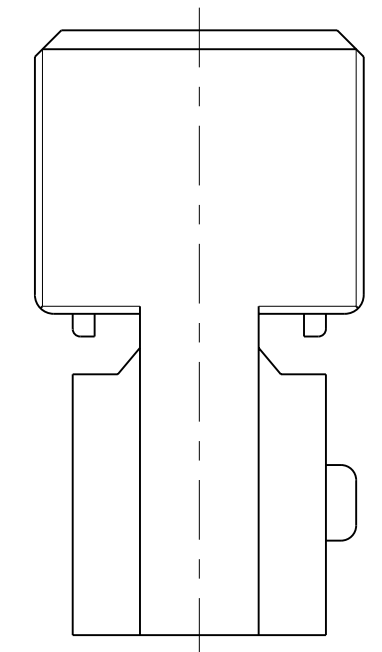
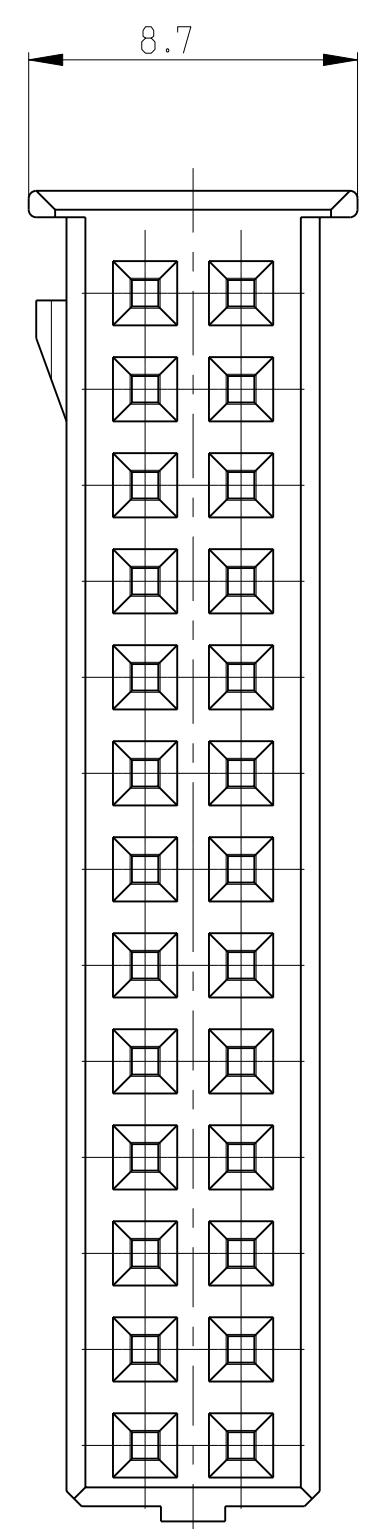
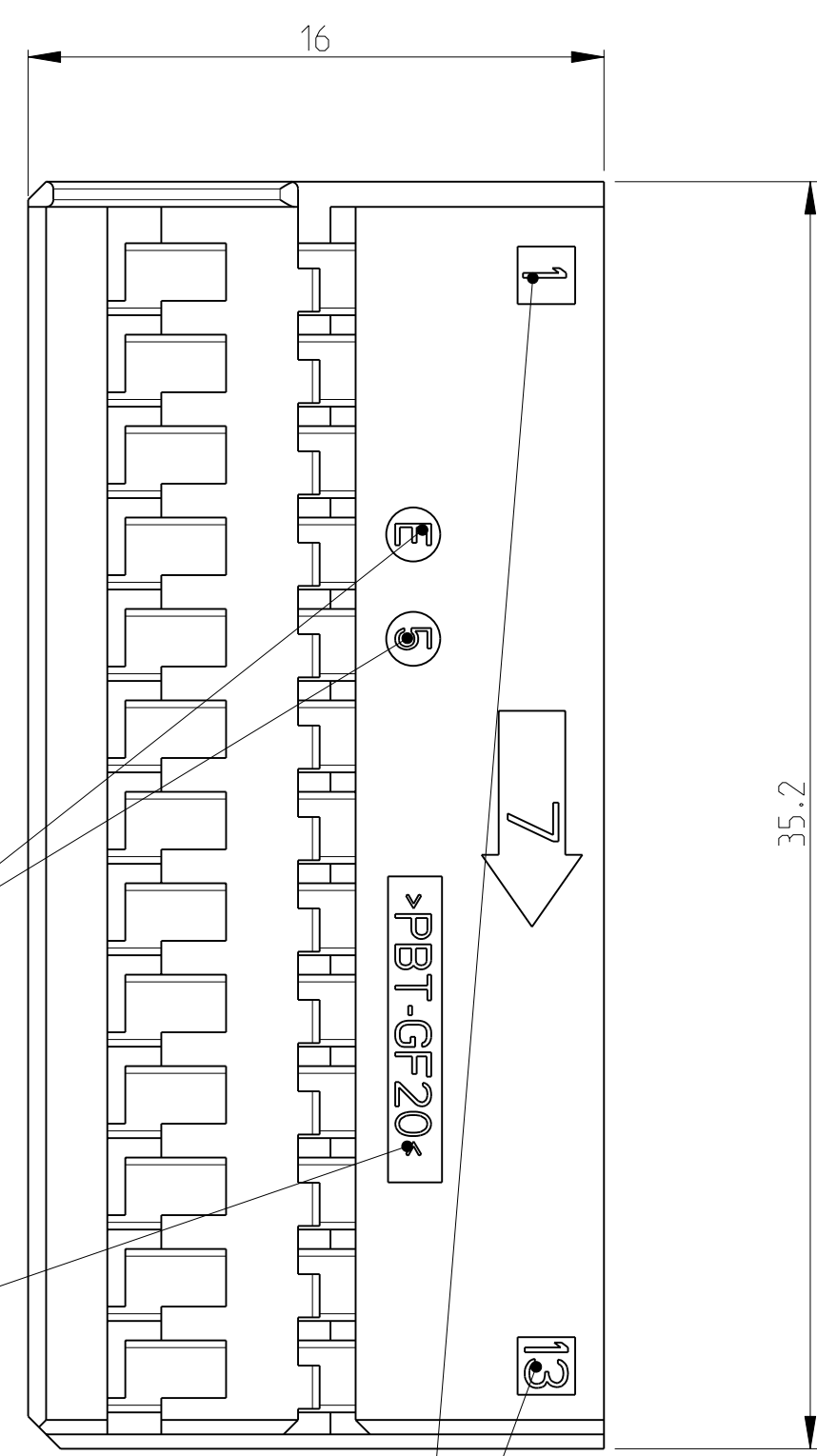
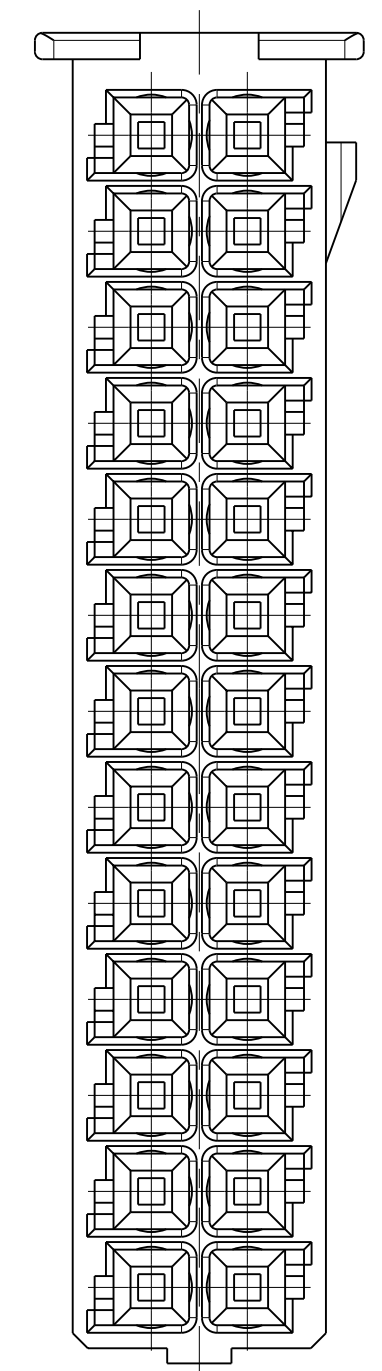
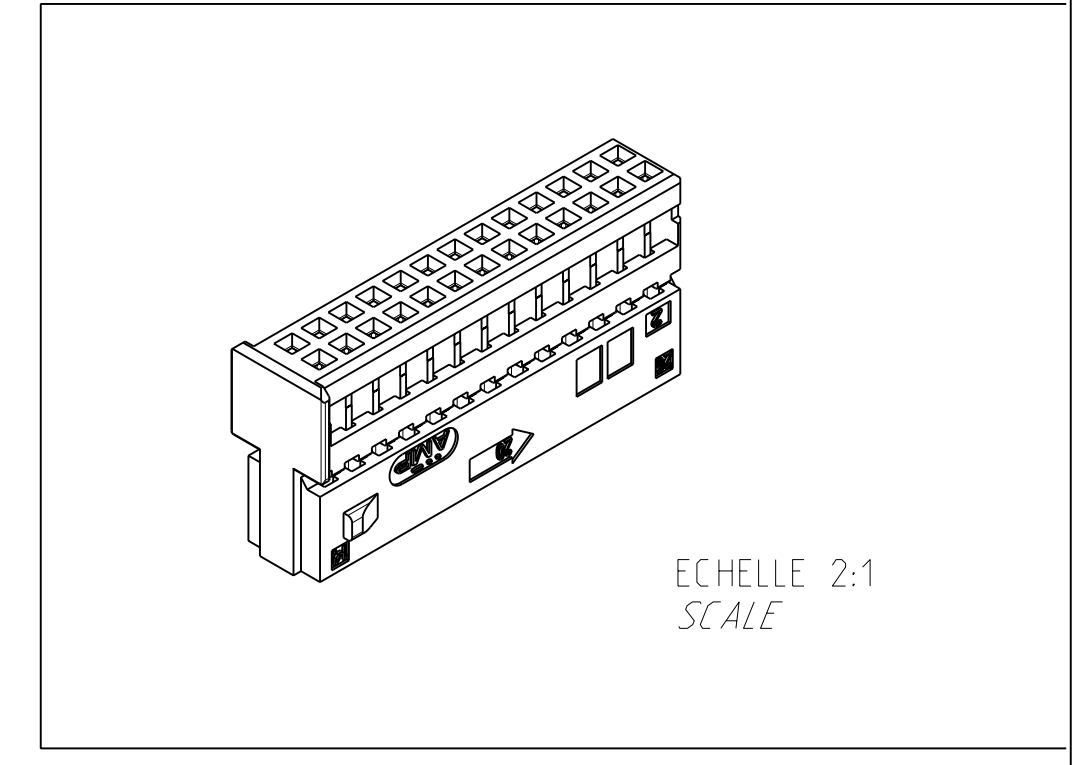
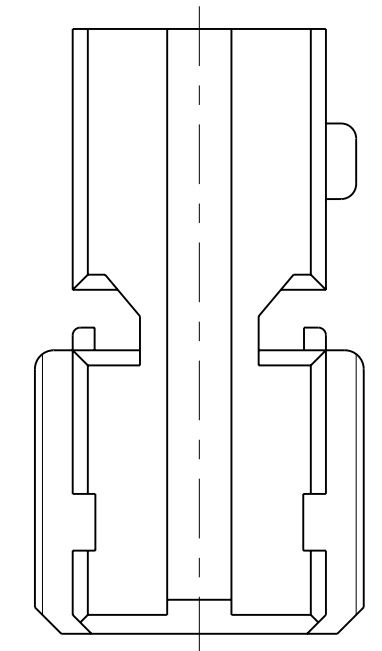


LOC	DIST	REVISIONS					
F	00	P	LTV REV	DESCRIPTION MODIFICATIONS	DATE	DWN DESS.	APVD APP.
		A		CREATION	09.JUL.2009	NS	XR



CODE DATE MOULAGE
MOLDING DATE CODE

DESIGNATION MATIERE
MATERIAL DESCRIPTION

MARQUAGE ALVEOLES
CAVITIES MARKING

NOTE

1 - CABLAGE MAXI : 8 FILS DE SECTION 0.6 mm2 (DIA MAXI ISOLANT DE 1.9 mm)
 POUR FORCE D'INSERTION MODULE/PORTE MODULE : F-20N ET POUR ETRE EN CONFORMITE AVEC LA SPEC. 108-15158

- MAXIMAL CABLING : 8 WIRES SECTION 0.6mm2 (DIA MAXIMAL INSULATOR 1.9mm)
 FOR THE INSERTION FORCE MODULE/ASSY COVER : F-20N AND TO BE IN ACCORDANCE WITH THE SPEC. 108-15158

COMPOSANTS ASSOCIES MATING PARTS	
REF. TE TE PART NUMBER	DESIGNATION
185879-X	PORTE MODULE 26 VOIES MQS ASSEMBLY COVER 26 W MQS

185875-1 REPRESENTEE
AS SHOWN

PBT 20% FV PBT GF20	NOIR BLACK	185875-1
MATIERE MATERIAL	COULEUR COLOR	REF TE TE PN

<small>THIS DRAWING IS UNPUBLISHED. RELEASED FOR PUBLICATION. DIFFUSION RESTREINTE AMP. LIBRE A LA DIFFUSION. BY TYCO ELECTRONICS CORPORATION. ALL RIGHTS RESERVED. THIS RIGHTS RESERVED.</small>		DWN/DESINE N. SIMON 10 JUL 2009	Tyco Electronics France SAS 95300 Pontoise, France
<small>TOI ERANCES UNLESS OTHERWISE SPECIFIED: DIMENSIONS AND TOLERANCES ARE IN MILLIMETERS UNLESS OTHERWISE SPECIFIED.</small>		APVD/APPROUVE X. DROUILLARD 16 JUL 2009	NAME RECEPTACLE HOUSING 26W MQS GENE 2 PORTE CLIP 26 VOIES MQS GENE 2
DIMENSIONS: mm		CHA/REVISE O. PAMART	PRODUCT SPEC 108-15158
MATERIAL MATIERE		APPLICATION SPEC 411-155BT	SIZE FORMAT A1
FINISH FINITION		WEIGHT MASSE APPROX. 2.4 gr	CUSTOMER DRAW ING /PLAN CLIENT
UNDEPENDENT FOUR REFERENCE		SCALE ECHELLE 5:1	SHEET FEUILLE 1 OF DE 1
RESTRICTED TO RESERVE A		REV A	

X-ON Electronics

Largest Supplier of Electrical and Electronic Components

Click to view similar products for [Headers & Wire Housings](#) category:

Click to view products by [TE Connectivity](#) manufacturer:

Other Similar products are found below :

[892-18-020-10-001101](#) [58102-G61-06LF](#) [582553-1](#) [0009485154](#) [009176003701906](#) [0050291907](#) [LY20-4P-DT1-P1E-BR](#) [02.125.8002.8](#)
[609-3404](#) [61062-3](#) [61082-181009](#) [622-3653LF](#) [63453-116](#) [636-1030](#) [636-1427](#) [636-3427](#) [636-4007](#) [641938-9](#) [641991-4](#) [644827-2](#) [65817-010LF](#) [65817-015LF](#) [65863-015LF](#) [66207-023LF](#) [67095-007LF](#) [67601157](#) [68645-018](#) [68648-049](#) [70.362.1628.0](#) [70-4210](#) [70-4226B](#) [70-4853B](#) [707-5020](#) [707-5028](#) [71.350.2428.0](#) [71918-208LF](#) [71961-016LF](#) [733-134](#) [733-162](#) [754199-000](#) [760-3052](#) [787-8014-00](#) [79531-3000](#)
[FCN-360C032-B](#) [FCN-367T-T012/H](#) [FCN-723D010/2](#) [80.063.4001.1](#) [800-90-001-10-001000](#) [800-90-010-10-002000](#) [801-43-002-10-013000](#)