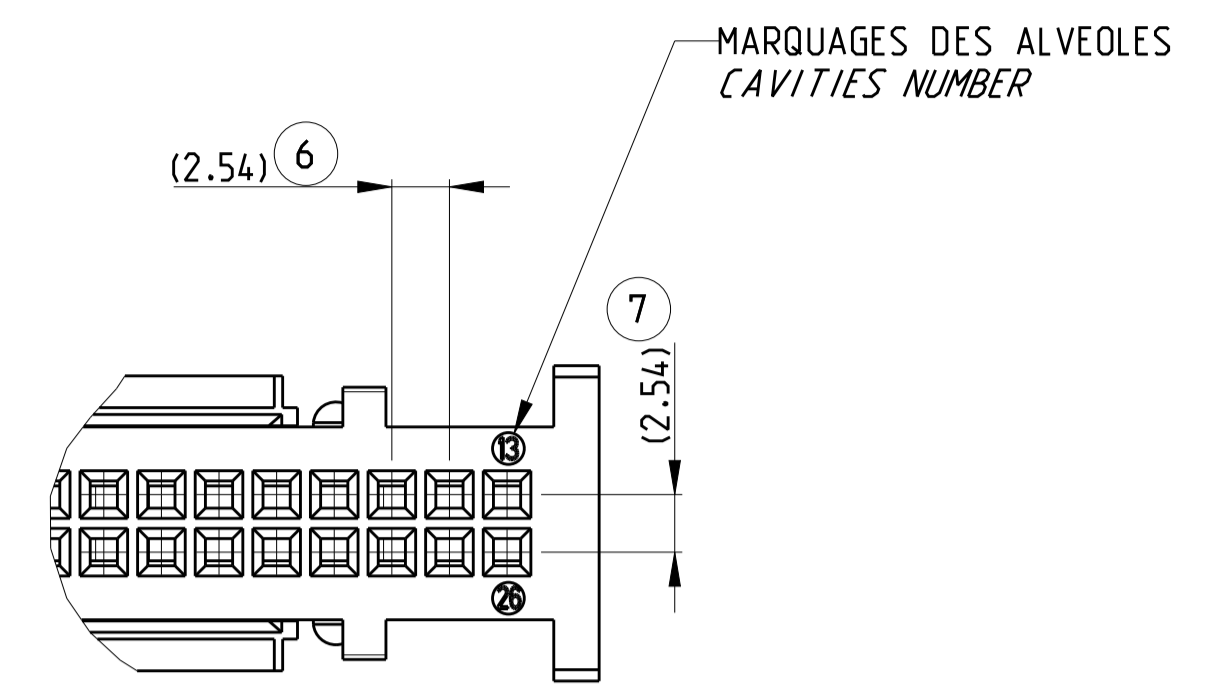
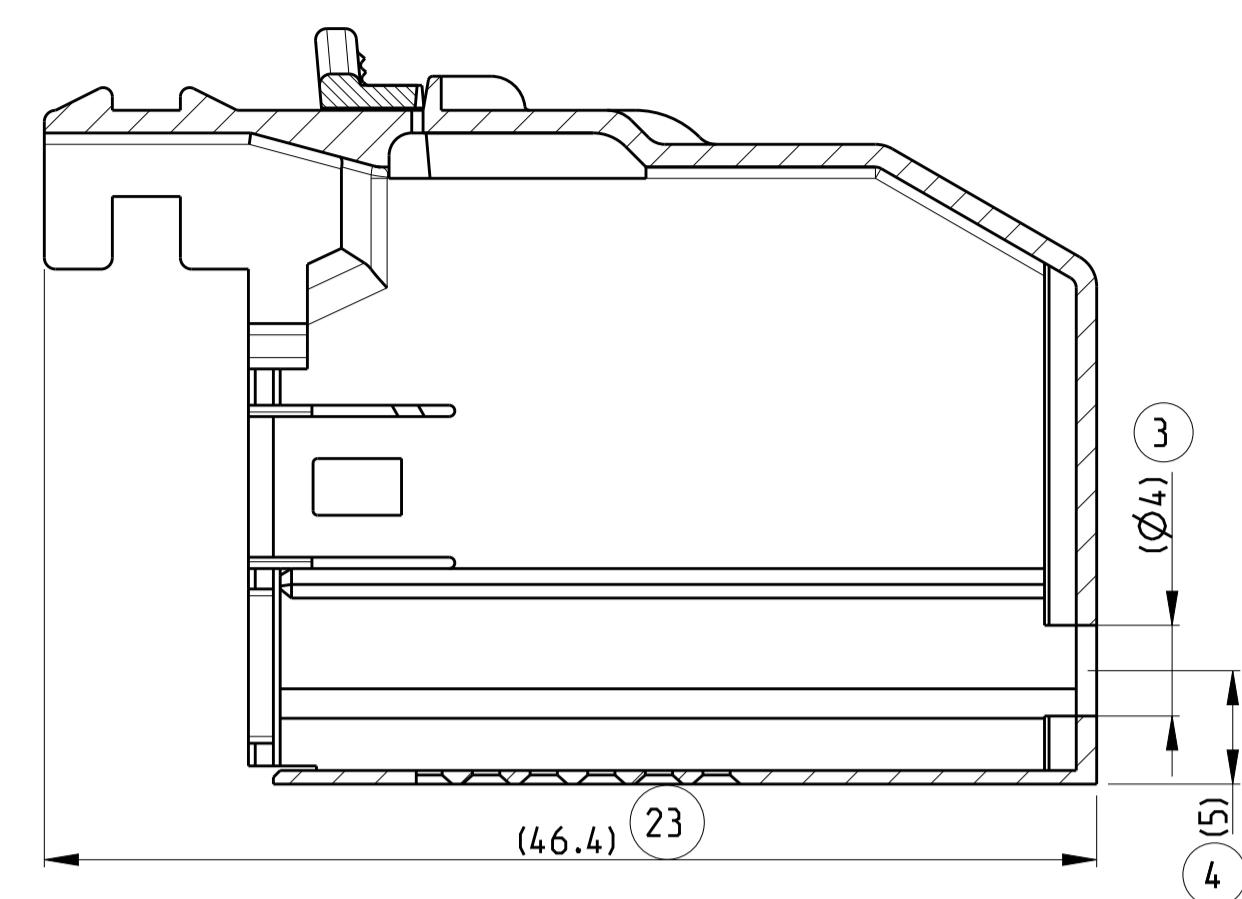
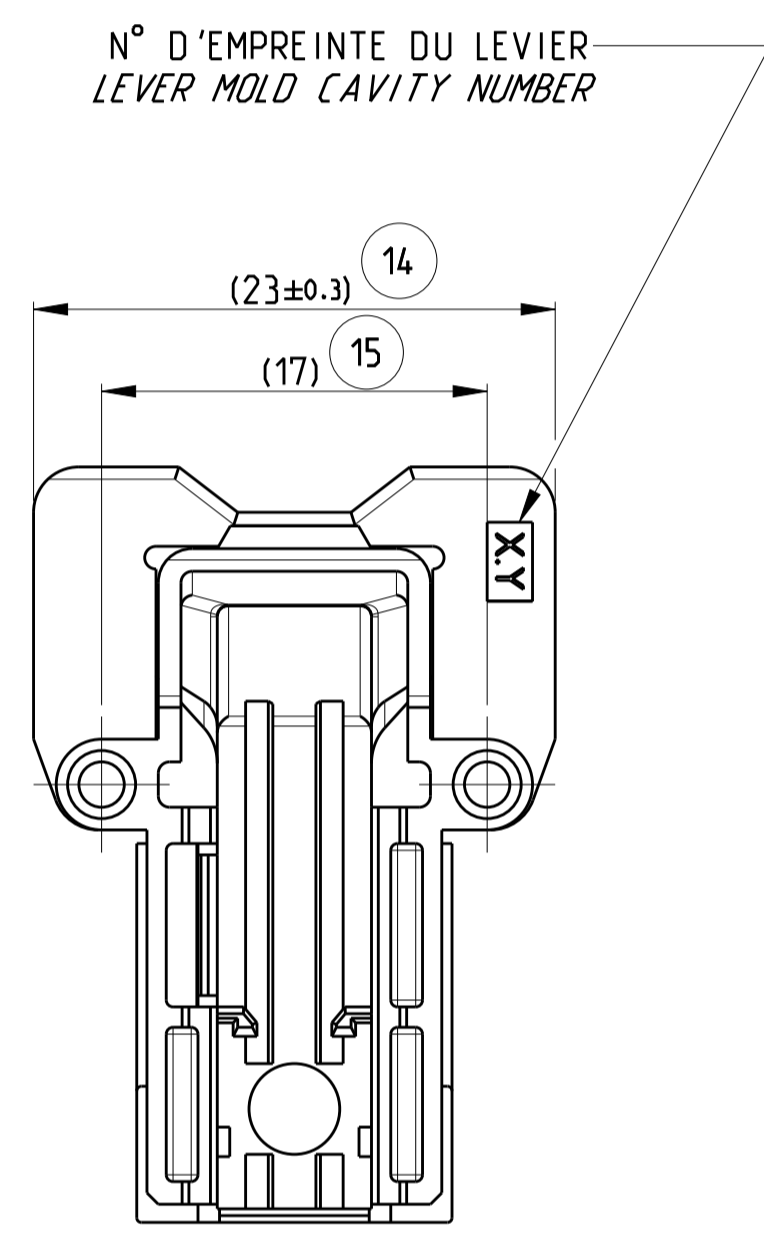
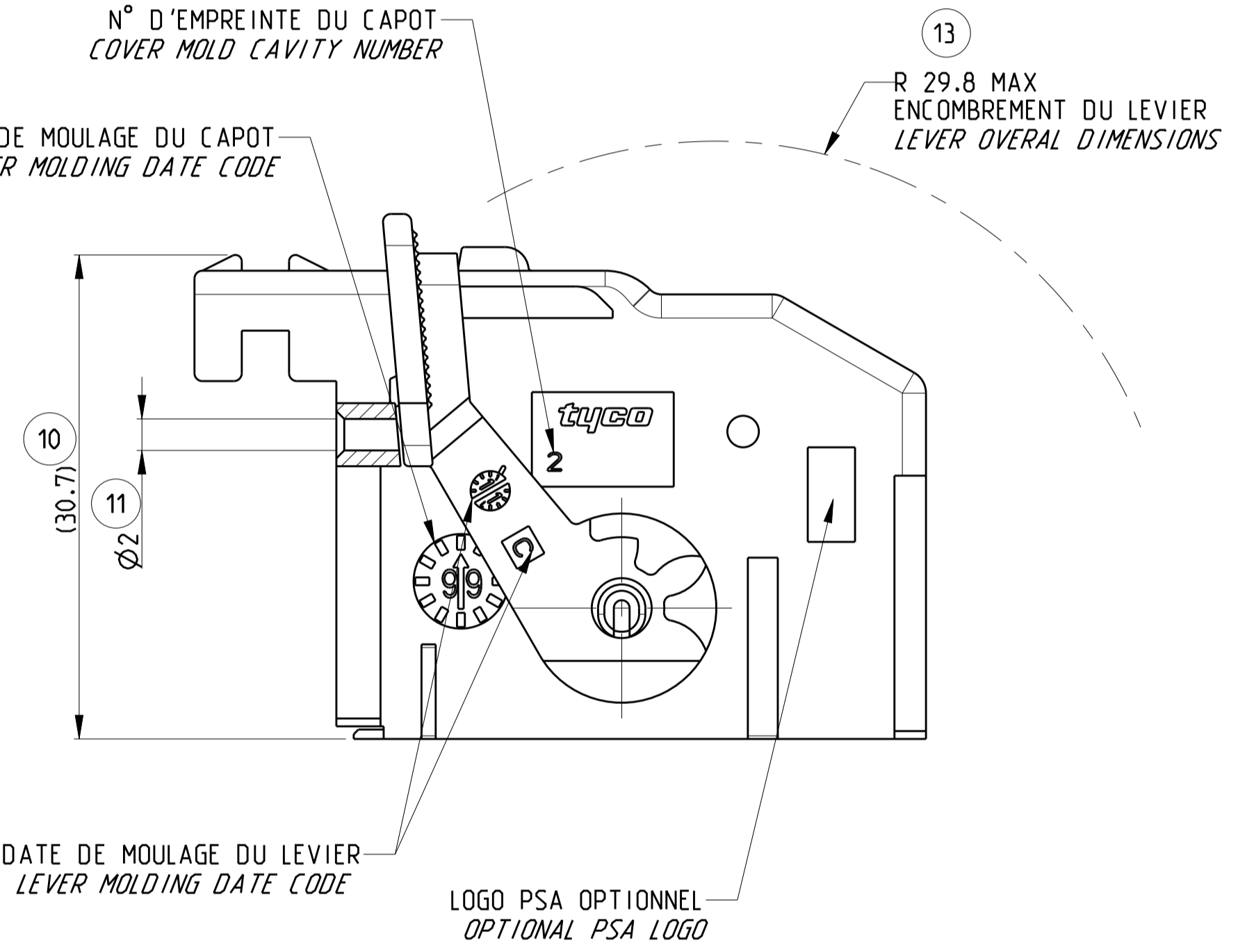


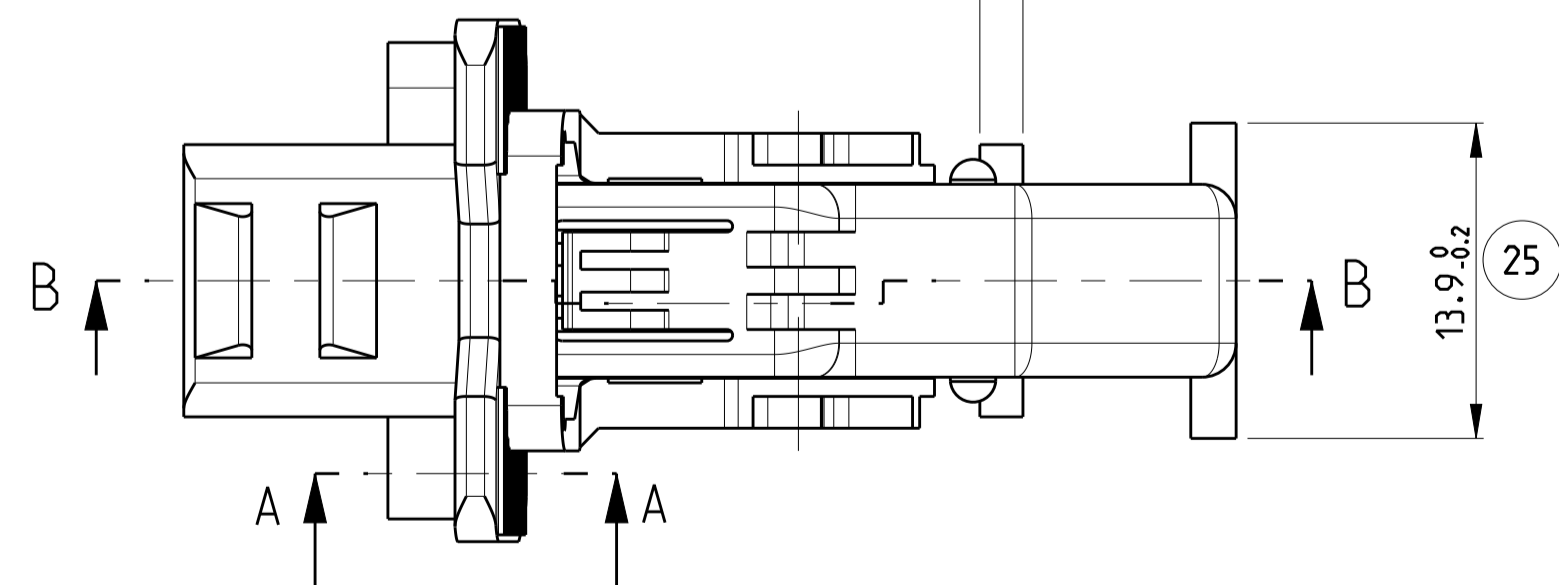
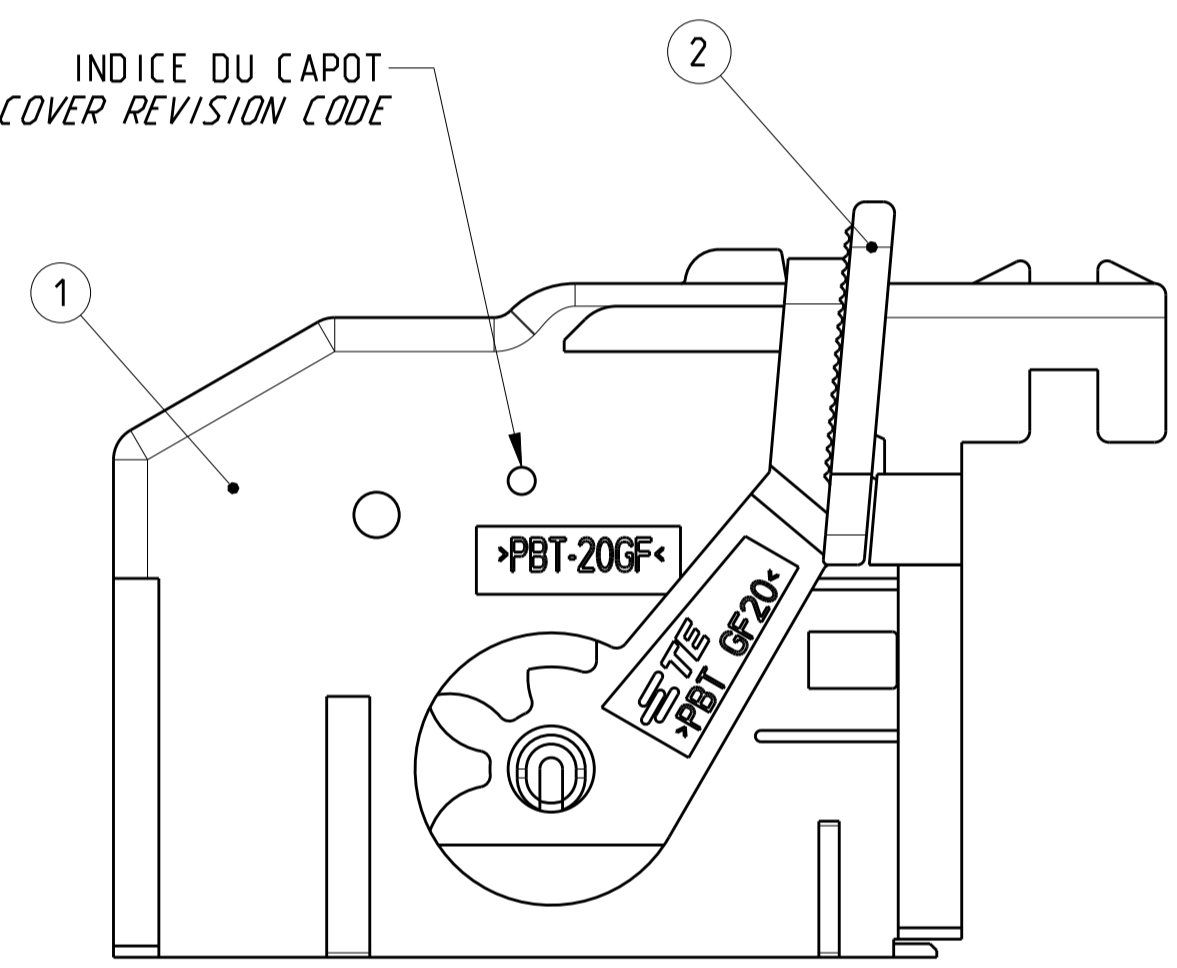
SECTION B-B



SECTION A-A

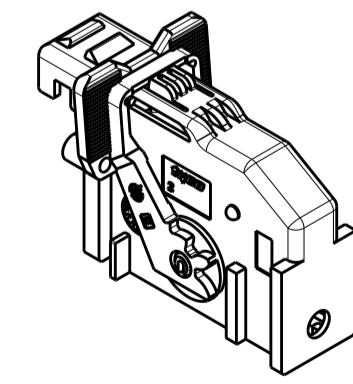


INDICE DU CAPOT COVER REVISION CODE



DESIGNATION DESCRIPTION	REP. ITEM	QTE	MATIERE MATERIAL	REFERENCE TE TE PART NUMBER	COULEUR COLOR	DETROMPAGE POLARISATION
CAPOT COVER	1	1	PBT20%FV	1-185879-4	VERT GREEN	
LEVIER LEVER	2	1	PBT20%FV		NOIR BLACK	
CAPOT COVER	1	1	PBT20%FV	1-185879-3	ROUGE RED	
LEVIER LEVER	2	1	PBT20%FV		NOIR BLACK	
CAPOT COVER	1	1	PBT20%FV	1-185879-2	BLEU BLUE	
LEVIER LEVER	2	1	PBT20%FV		NOIR BLACK	
CAPOT COVER	1	1	PBT20%FV	1-185879-1	JAUNE YELLOW	
LEVIER LEVER	2	1	PBT20%FV		NOIR BLACK	
CAPOT COVER	1	1	PBT20%FV	185879-4	VERT GREEN	
LEVIER LEVER	2	1	PBT20%FV		NOIR BLACK	
CAPOT COVER	1	1	PBT20%FV	185879-3	ROUGE RED	
LEVIER LEVER	2	1	PBT20%FV		NOIR BLACK	
CAPOT COVER	1	1	PBT20%FV	185879-2	BLEU BLUE	
LEVIER LEVER	2	1	PBT20%FV		NOIR BLACK	
CAPOT COVER	1	1	PBT20%FV	185879-1	JAUNE YELLOW	
LEVIER LEVER	2	1	PBT20%FV		NOIR BLACK	

NOTES:
 1 - CABLAGE MAXI : 8 FILS DE SECTION 0.6 mm² (DIA MAXI ISOLANT DE 1.9 mm) POUR FORCE D'INSERTION MODULE/PORTE MODULE : F<20N ET POUR ETRE EN CONFORMITE AVEC LA SPEC. 108-15158
 - MAXIMAL CABLING : 8 WIRES SECTION 0.6mm² (DIA MAXIMAL INSULATOR 1.9mm) FOR THE INSERTION FORCE MODULE/ASSY COVER : F<20N AND TO BE IN ACCORDANCE WITH THE SPEC. 108-15158



ECHELLE:1:1 SCALE

COMPOSANTS ASSOCIES MATING PARTS	
REF. TE TE PART NUMBER	DESIGNATION
185875-1	PORTE CLIP 26 VOIES MQS RECEPTACLE HSG 26 W MQS

185879-1 REPRESENTEE AS SHOWN

THIS DRAWING IS A CONTROLLED DOCUMENT. (It also is an integral part of the specification.)		DWG. REVISION 23DEC2008 Philippe BACHELOT		TE Connectivity	
DIMENSIONS: mm		TOLERANCES UNLESS OTHERWISE SPECIFIED: 1) DECIMAL 2) FRACTIONS 3) ANGLES		NAME: ASSEMBLY COVER 26W MQS GENE 2	
MATERIAL: -		FINISH: -		PRODUCT SPEC: 108-15158	
WEIGHT: -		FINISH: -		APPLICATION SPEC: 411-15581	
CUSTOMER DRAWING		/PLAN CLIENT		SCALE: 5:1	

X-ON Electronics

Largest Supplier of Electrical and Electronic Components

Click to view similar products for [Automotive Connectors](#) category:

Click to view products by [TE Connectivity](#) manufacturer:

Other Similar products are found below :

[003-018-000](#) [60403001](#) [60993906-B](#) [M902-2131](#) [M902-2161](#) [72.330.1035.1](#) [73.353.4028.0](#) [F119300-B](#) [F166900](#) [F258300-B](#) [F358300-B](#)
[F407400](#) [F444110](#) [F487000](#) [F509500B-B](#) [827153-1](#) [8N1515-32-24P](#) [9-1326729-8](#) [925474-1](#) [928905-1](#) [964562-4](#) [968782-1](#) [GT17SA-8DS-](#)
[HU](#) [98891-1012](#) [98947-1016](#) [12004147](#) [12004475-L](#) [12010290](#) [12010309-B](#) [12015454](#) [12020219-B](#) [12020308](#) [12041318-B](#) [12052225-L](#)
[12052466](#) [12059125](#) [12064869](#) [12004327-B](#) [12010503-B](#) [12015308](#) [12015384](#) [12015909](#) [1-21030-1](#) [12041254](#) [12041318](#) [12047946-B](#)
[12047957](#) [12047957-L](#) [12059473](#) [12066261](#)