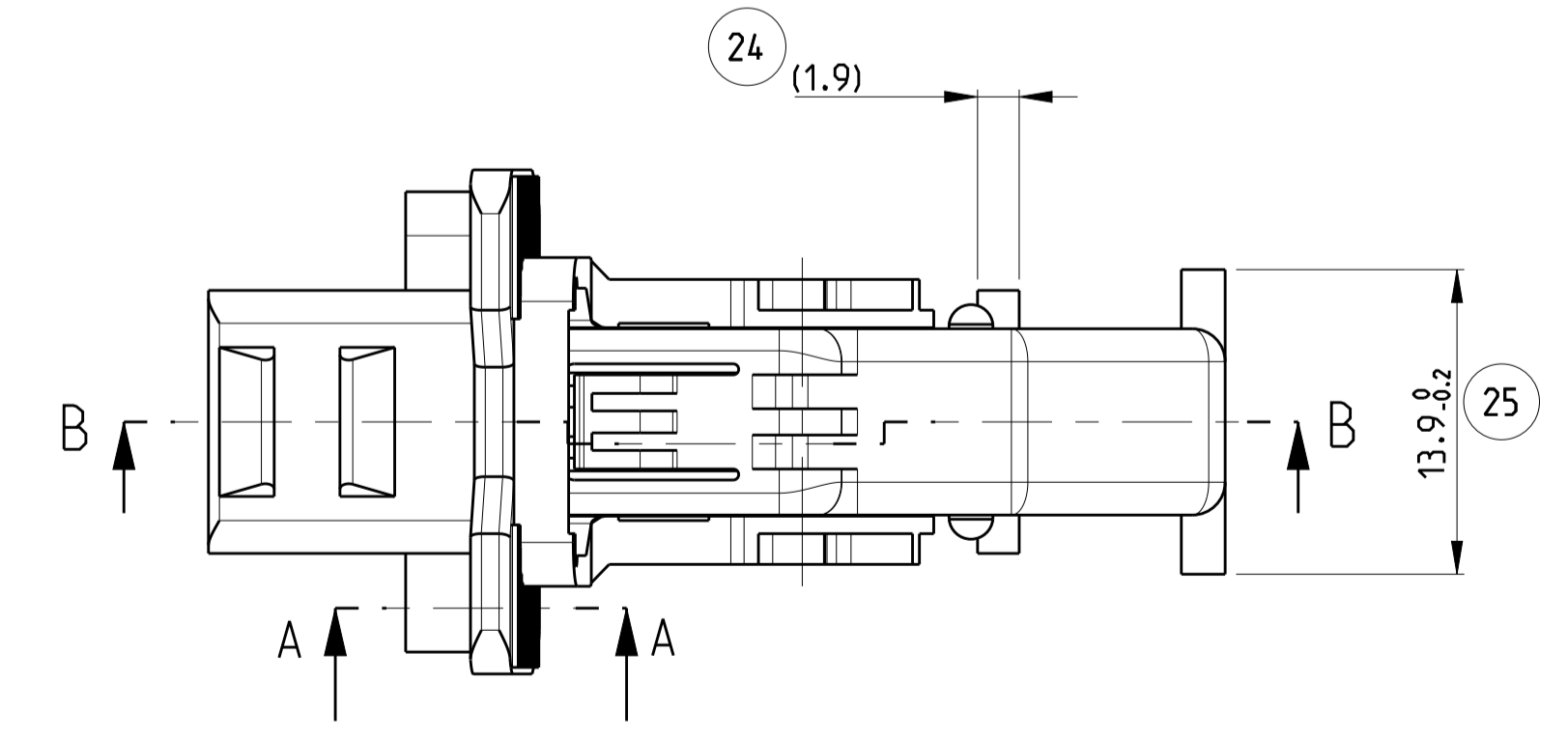
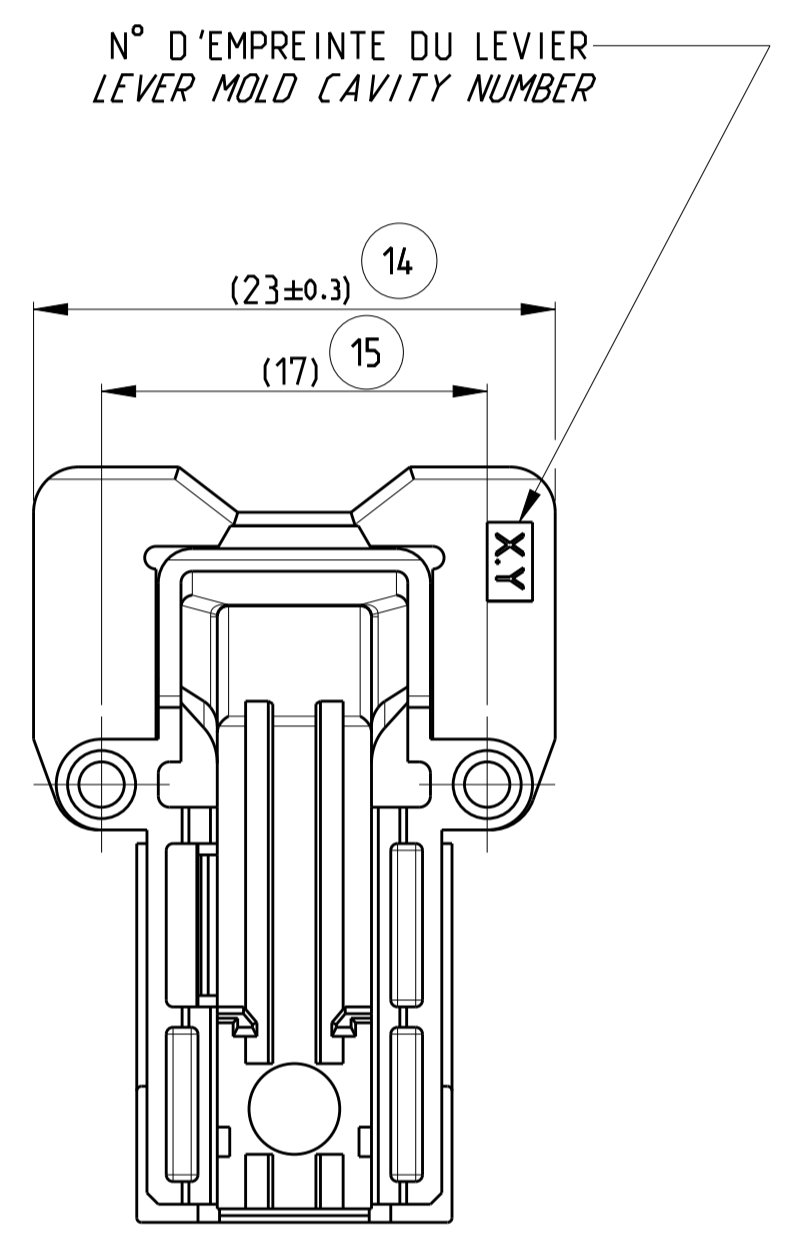
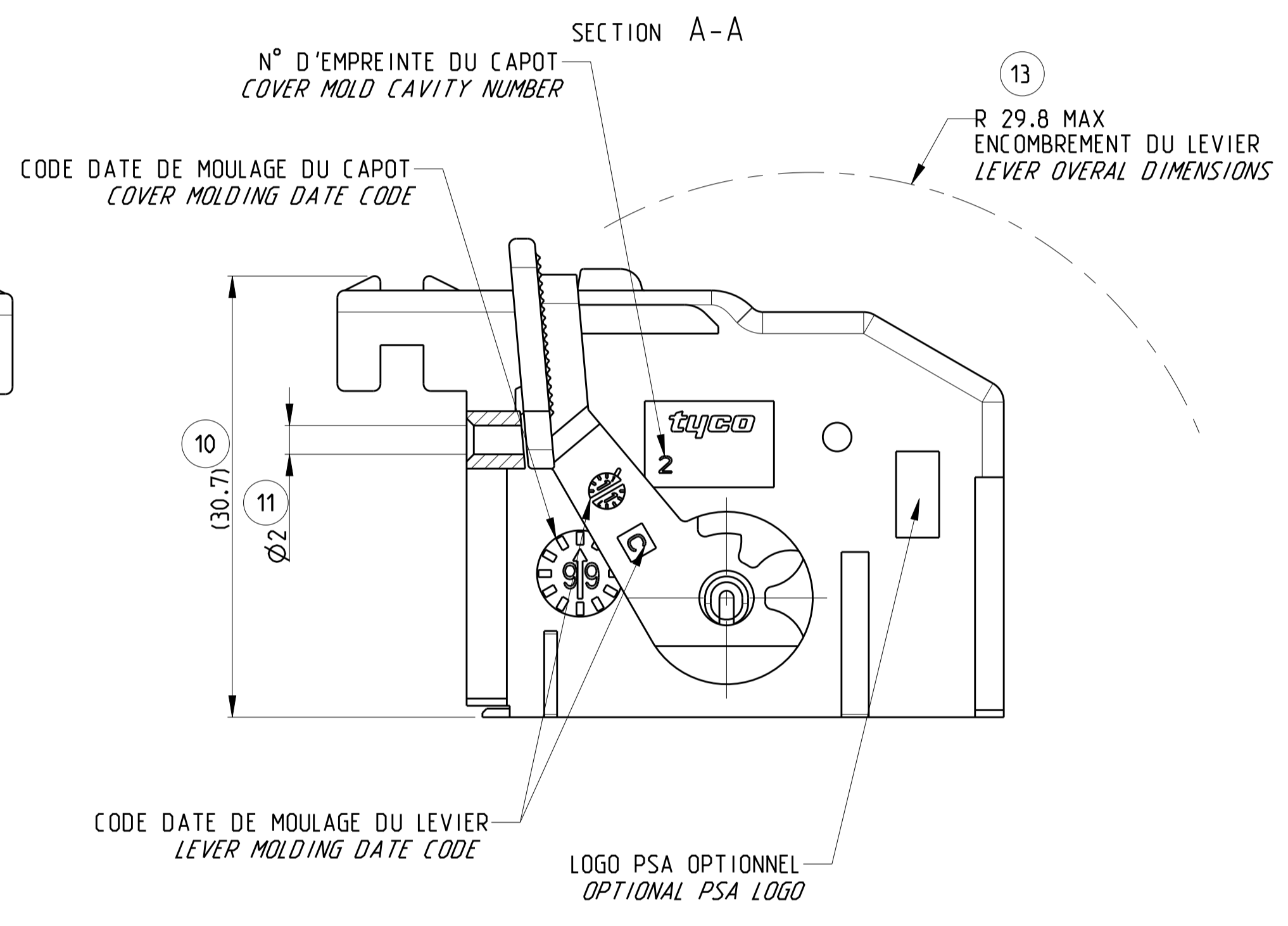
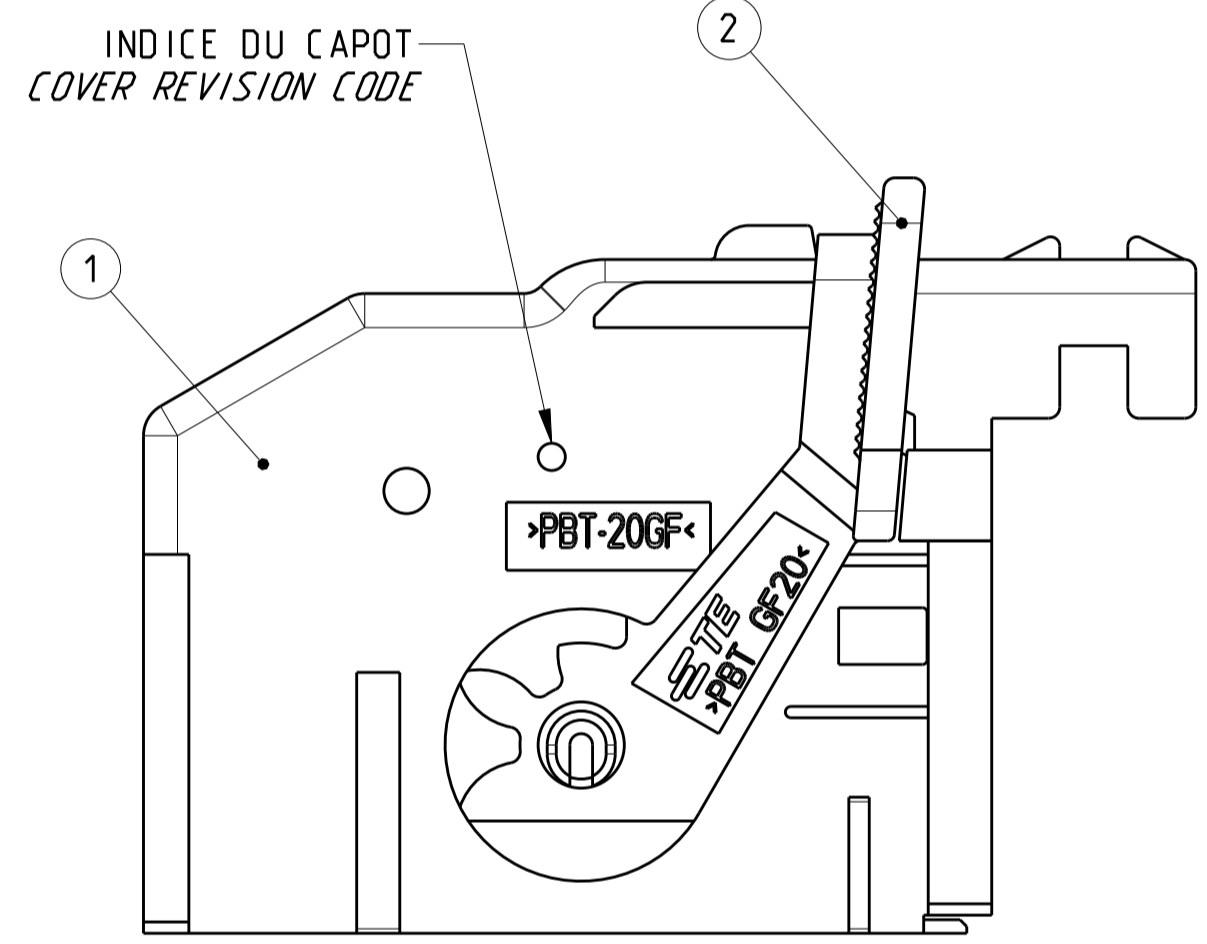
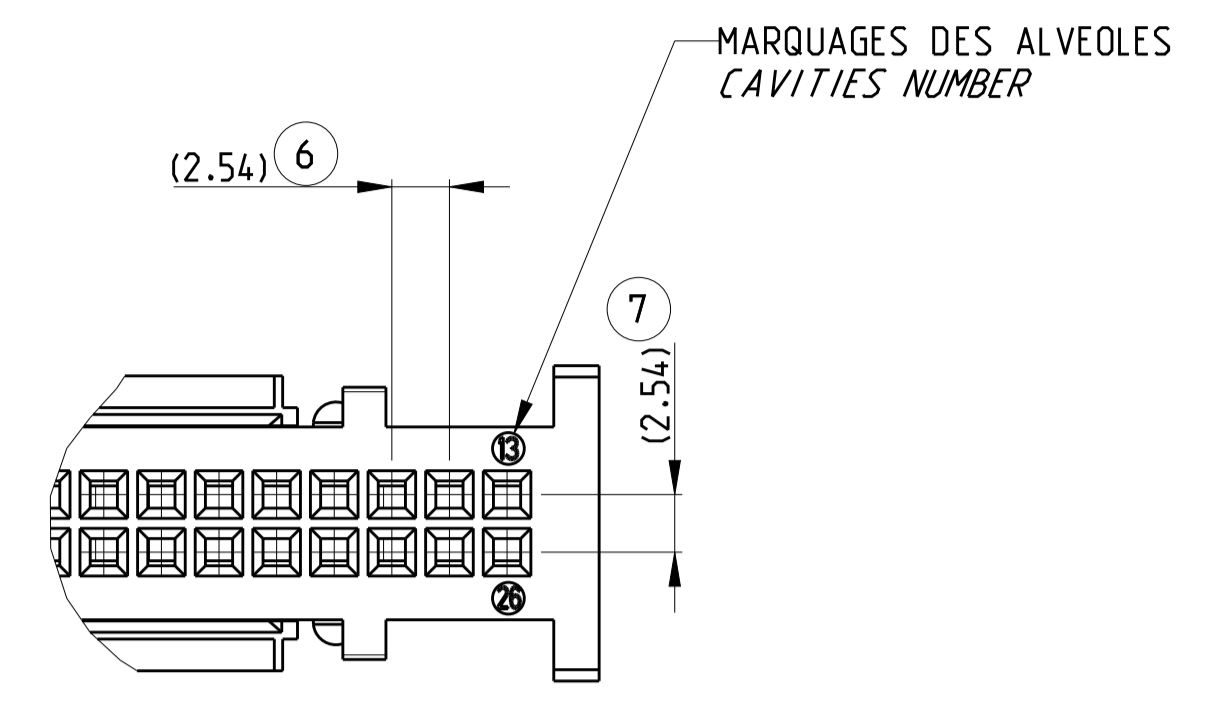
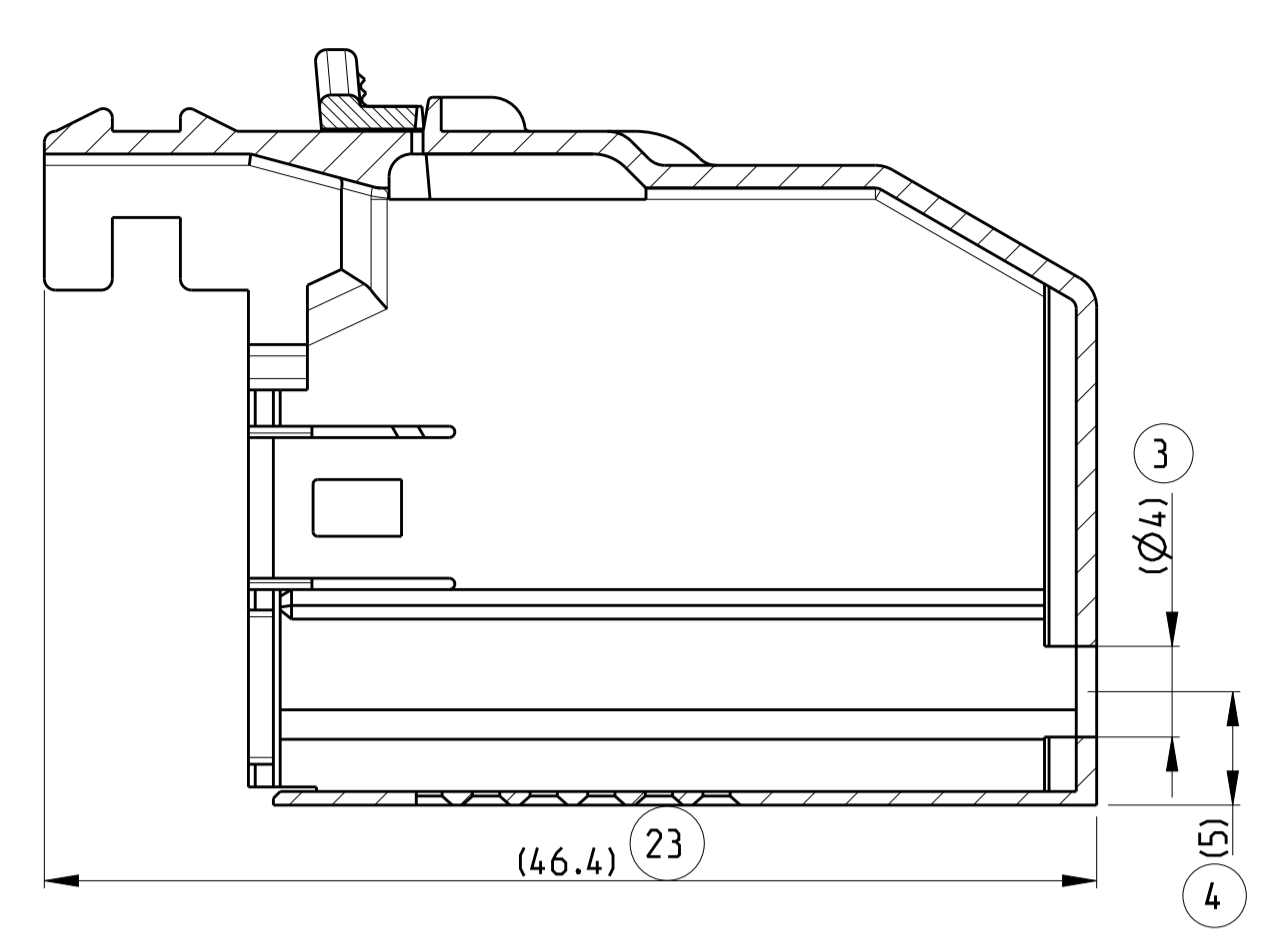


SECTION B-B

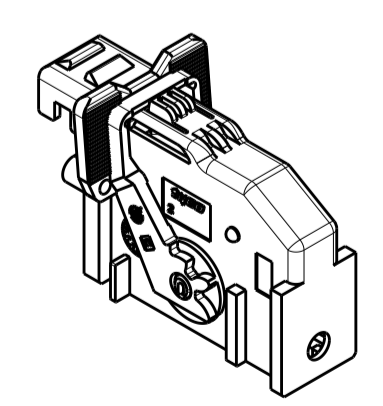


DESIGNATION DESCRIPTION	REP. ITEM	QTE	MATIERE MATERIAL	REFERENCE TE TE PART NUMBER	COULEUR COLOR	DETROMPAGE POLARISATION
CAPOT COVER	1	1	PBT20%FV	1-185879-4	VERT GREEN	
LEVIER LEVER	2	1	PBT20%FV		NOIR BLACK	
CAPOT COVER	1	1	PBT20%FV	1-185879-3	ROUGE RED	
LEVIER LEVER	2	1	PBT20%FV		NOIR BLACK	
CAPOT COVER	1	1	PBT20%FV	1-185879-2	BLEU BLUE	
LEVIER LEVER	2	1	PBT20%FV		NOIR BLACK	
CAPOT COVER	1	1	PBT20%FV	1-185879-1	JAUNE YELLOW	
LEVIER LEVER	2	1	PBT20%FV		NOIR BLACK	
CAPOT COVER	1	1	PBT20%FV	185879-4	VERT GREEN	
LEVIER LEVER	2	1	PBT20%FV		NOIR BLACK	
CAPOT COVER	1	1	PBT20%FV	185879-3	ROUGE RED	
LEVIER LEVER	2	1	PBT20%FV		NOIR BLACK	
CAPOT COVER	1	1	PBT20%FV	185879-2	BLEU BLUE	
LEVIER LEVER	2	1	PBT20%FV		NOIR BLACK	
CAPOT COVER	1	1	PBT20%FV	185879-1	JAUNE YELLOW	
LEVIER LEVER	2	1	PBT20%FV		NOIR BLACK	

NOTES:

1 - CABLAGE MAXI : 8 FILS DE SECTION 0.6 mm<sup>2</sup> (DIA MAXI ISOLANT DE 1.9 mm) POUR FORCE D'INSERTION MODULE/PORTE MODULE : F<20N ET POUR ETRE EN CONFORMITE AVEC LA SPEC. 108-15158

- MAXIMAL CABLING : 8 WIRES SECTION 0.6mm<sup>2</sup> (DIA MAXIMAL INSULATOR 1.9mm) FOR THE INSERTION FORCE MODULE/ASSY COVER : F<20N AND TO BE IN ACCORDANCE WITH THE SPEC. 108-15158



ECHELLE:1:1 SCALE

COMPOSANTS ASSOCIES MATING PARTS	
REF. TE TE PART NUMBER	DESIGNATION
185875-1	PORTE CLIP 26 VOIES MQS RECEPTACLE HSG 26 W MQS

185879-1 REPRESENTEE AS SHOWN

THIS DRAWING IS A CONTROLLED DOCUMENT. (It also is an integral part of the product. It is not to be reproduced, modified, or distributed without the written approval of the person responsible for the technical drawing.)		DWG. REVISION: 23DEC2008 Philippe BACHELOT Chr. PERDIE		TE Connectivity	
DIMENSIONS: mm		TOLERANCES UNLESS OTHERWISE SPECIFIED: 1) DECIMAL 2) FRACTIONS 3) ANGLES 4) RADIUS 5) CHAMFER		NAME: ASSEMBLY COVER 26W MQS GENE 2 PORTE MODULE 26 VOIES MQS GENE 2	
MATERIAL: -		FINISH: -		WEIGHT: 6.3 gr	
CUSTOMER DRAWING		/PLAN CLIENT		UNDEPART POUR REFERENCE	
SCALE: 5:1		SHEET 1 OF 1		REV D	

## X-ON Electronics

Largest Supplier of Electrical and Electronic Components

*Click to view similar products for [Automotive Connectors](#) category:*

*Click to view products by [TE Connectivity](#) manufacturer:*

Other Similar products are found below :

[003-018-000](#) [60403001](#) [60993906-B](#) [M902-2131](#) [M902-2161](#) [72.330.1035.1](#) [73.353.4028.0](#) [F119300-B](#) [F166900](#) [F258300-B](#) [F358300-B](#)  
[F407400](#) [F444110](#) [F487000](#) [F509500B-B](#) [827153-1](#) [8N1515-32-24P](#) [9-1326729-8](#) [925474-1](#) [928905-1](#) [964562-4](#) [968782-1](#) [GT17SA-8DS-](#)  
[HU](#) [98891-1012](#) [98947-1016](#) [12004147](#) [12004475-L](#) [12010290](#) [12010309-B](#) [12015454](#) [12020219-B](#) [12020308](#) [12041318-B](#) [12052225-L](#)  
[12052466](#) [12059125](#) [12064869](#) [12004327-B](#) [12010503-B](#) [12015308](#) [12015384](#) [12015909](#) [1-21030-1](#) [12041254](#) [12041318](#) [12047946-B](#)  
[12047957](#) [12047957-L](#) [12059473](#) [12066261](#)