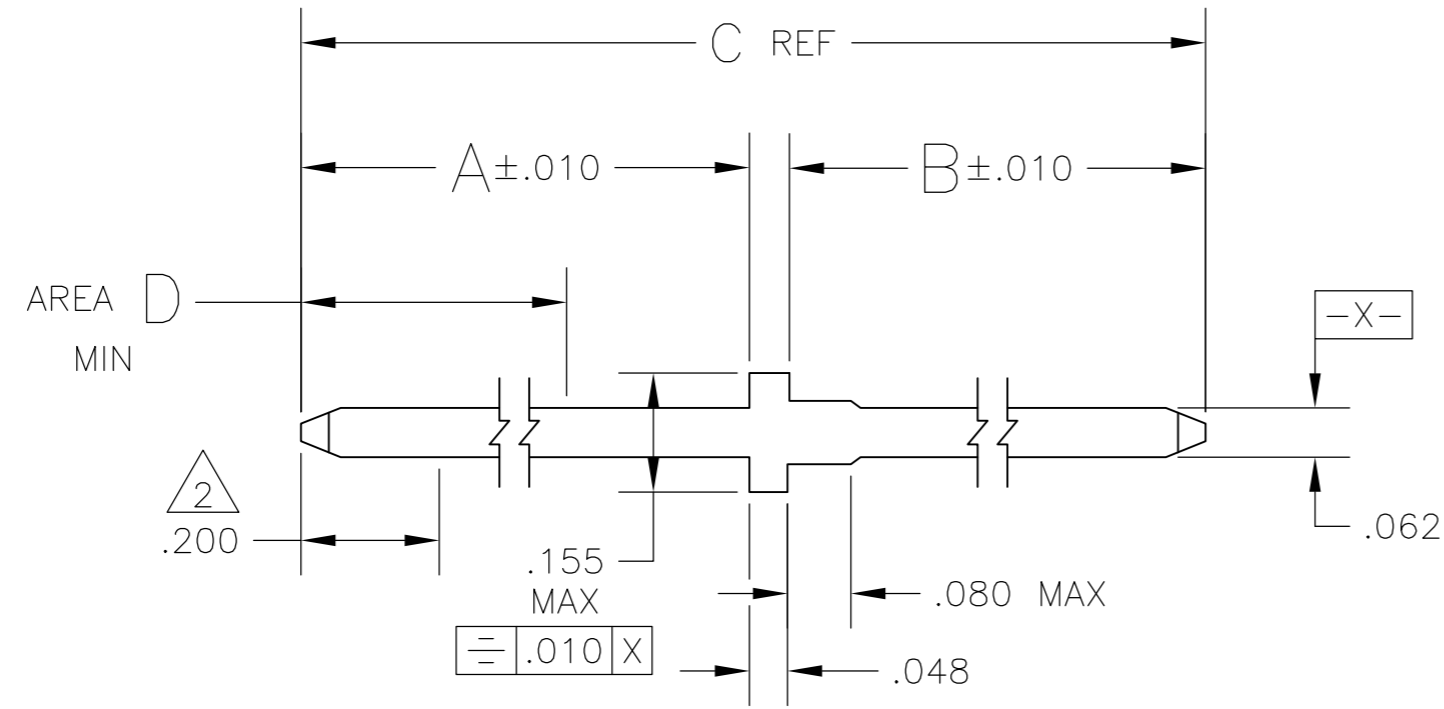


THIS DRAWING IS UNPUBLISHED. RELEASED FOR PUBLICATION
 © COPYRIGHT BY TYCO ELECTRONICS CORPORATION. ALL RIGHTS RESERVED.

LOC	DIST	REVISIONS					
AD	00	P	LTR	DESCRIPTION	DATE	DWN	APVD
		L1			REVISED PER ECO-09-020932	07SEP09	KK



1. THIS POINT IS NOT COMPATIBLE WITH TERMI-POINT APPLICATIONS.
- 2 POINT OF MEASUREMENT FOR PLATING THICKNESS.
- 3 .000015 MIN OVER .000050 MIN NICKEL.
- 4 .000030 MIN GOLD OVER .000050 MIN NICKEL.
- 5 .000010-.000200 BRIGHT TIN OVER .000030 NICKEL.
- 6 .000030 GOLD IN AREA D,.0000100-.000200 BRIGHT TIN-LEAD ON TERMINATION AREA , ALL OVER .000050 NICKEL ENTIRE POST.
- 7 .000050 GOLD IN AREA D,.0000100-.000200 BRIGHT TIN-LEAD ON TERMINATION AREA , ALL OVER .000050 NICKEL ENTIRE POST.
- 8 OBSOLETE PART NUMBER.
- 9 BRASS #4 HARD.
- 10 OBSOLETE PARTS: OBSOLETE CIS STREAMLINING PER D.RENAUD/D.SINISI

	D	C	B	A	FINISH	PART NUMBER
	.690	.998	.150	.800	7	5-86182-1
	.640	1.175	.375	.750	8	5-86182-0
	.625	.875	.092	.735	8	4-86182-9
	.560	.843	.125	.670	8	4-86182-8
	.455	.800	.187	.565	8	4-86182-7
	.250	.595	.187	.360	8	4-86182-6
	.240	.798	.400	.350	7	4-86182-5
	.890	1.198	.150	1.000	6	4-86182-4
	.690	.998	.150	.800	8	4-86182-3
	.560	.843	.125	.670	8	4-86182-2
	.490	1.273	.625	.600	8	4-86182-1
	.460	.748	.130	.570	8	4-86182-0
	.455	1.143	.530	.565	8	3-86182-9
	.455	.800	.187	.565	8	3-86182-8
	.370	.715	.187	.480	8	3-86182-7
	.290	.573	.125	.400	8	3-86182-6
	.270	.748	.320	.380	8	3-86182-5
	.250	.595	.187	.360	8	3-86182-4
	.240	.798	.400	.350	6	3-86182-3
		.828	.530	.250	5	3-86182-2
		.798	.400	.350	3	3-86182-1
		.595	.187	.360	3	3-86182-0
10 OBSOLETE		.573	.125	.400	4	2-86182-9
OBSOLETE		.875	.092	.735	3	2-86182-8
		1.198	.150	1.000	5	2-86182-7
		.748	.130	.570	5	2-86182-6
		.573	.125	.400	5	2-86182-5
		.798	.400	.350	4	2-86182-4
		.843	.125	.670	5	2-86182-3
		.715	.187	.480	5	2-86182-2
		1.175	.375	.750	3	2-86182-1
		.748	.130	.570	4	2-86182-0
		.798	.400	.350	5	1-86182-9
		.715	.187	.480	4	1-86182-8
		.843	.125	.670	3	1-86182-7
		1.198	.150	1.000	4	1-86182-6
		.748	.320	.380	4	1-86182-5
		.800	.187	.565	3	1-86182-4
		.998	.150	.800	3	1-86182-3
		.843	.125	.670	4	1-86182-2
		.998	.150	.800	4	1-86182-1
		.843	.125	.670	4	1-86182-0
10 OBSOLETE		.748	.320	.380	5	86182-9
		.800	.187	.565	4	86182-8
		.595	.187	.360	4	86182-7
		1.143	.530	.565	4	86182-6
		1.273	.625	.600	4	86182-5
		1.273	.625	.600	5	86182-4
		1.143	.530	.565	5	86182-3
10 OBSOLETE		.595	.187	.360	5	86182-2
		.800	.187	.565	5	86182-1

THIS DRAWING IS A CONTROLLED DOCUMENT.		DWN B. HAYMAKER 27JAN00	Tyco Electronics Corporation Harrisburg, Pa 17105-3608	
DIMENSIONS: INCHES		CHK M.ZITTO 27JAN00	NAME CONTACT, MALE, MOD 1 LOOSE PIECE .031X.062	
TOLERANCES UNLESS OTHERWISE SPECIFIED: 0 PLC ± - 1 PLC ± - 2 PLC ± - 3 PLC ± 0.13[.005] 4 PLC ± - ANGLES ± -		APVD M.ZITTO 27JAN00	PRODUCT SPEC APPLICATION SPEC	
MATERIAL 9	FINISH -	WEIGHT -	SIZE A2	CAGE CODE 00779
CUSTOMER DRAWING		DRAWING NO C=86182	RESTRICTED TO -	SCALE 4:1
		SHEET 1	OF 1	REV L1

X-ON Electronics

Largest Supplier of Electrical and Electronic Components

Click to view similar products for [Headers & Wire Housings](#) category:

Click to view products by [TE Connectivity](#) manufacturer:

Other Similar products are found below :

[892-18-020-10-001101](#) [58102-G61-06LF](#) [582553-1](#) [0009485154](#) [009176003701906](#) [0050291907](#) [LY20-4P-DT1-P1E-BR](#) [02.125.8002.8](#)
[609-3404](#) [61062-3](#) [61082-181009](#) [622-3653LF](#) [63453-116](#) [636-1030](#) [636-1427](#) [636-3427](#) [636-4007](#) [641938-9](#) [641991-4](#) [644827-2](#) [65817-](#)
[010LF](#) [65817-015LF](#) [65863-015LF](#) [66207-023LF](#) [67095-007LF](#) [67601157](#) [68645-018](#) [68648-049](#) [70.362.1628.0](#) [70-4210](#) [70-4226B](#) [70-](#)
[4853B](#) [707-5020](#) [707-5028](#) [71.350.2428.0](#) [71918-208LF](#) [71961-016LF](#) [733-134](#) [733-162](#) [754199-000](#) [760-3052](#) [79531-3000](#) [FCN-](#)
[360C032-B](#) [FCN-367T-T012/H](#) [FCN-723D010/2](#) [80.063.4001.1](#) [800-90-010-10-002000](#) [801-43-002-10-013000](#) [801-43-006-10-002000](#)
[801-93-011-10-001000](#)