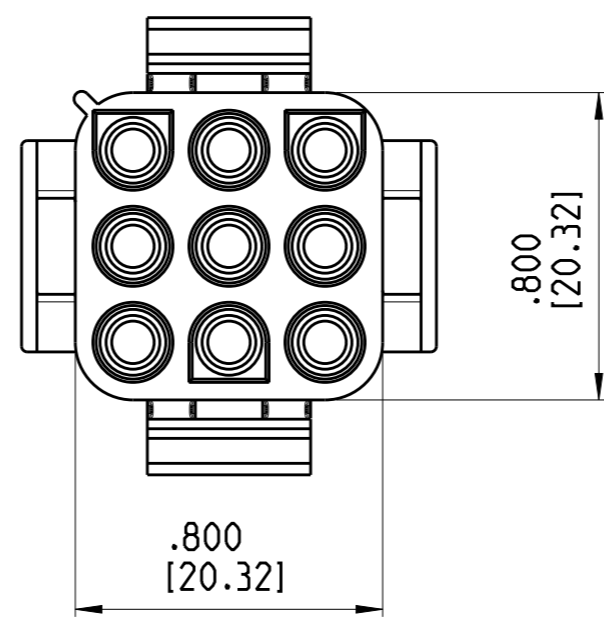
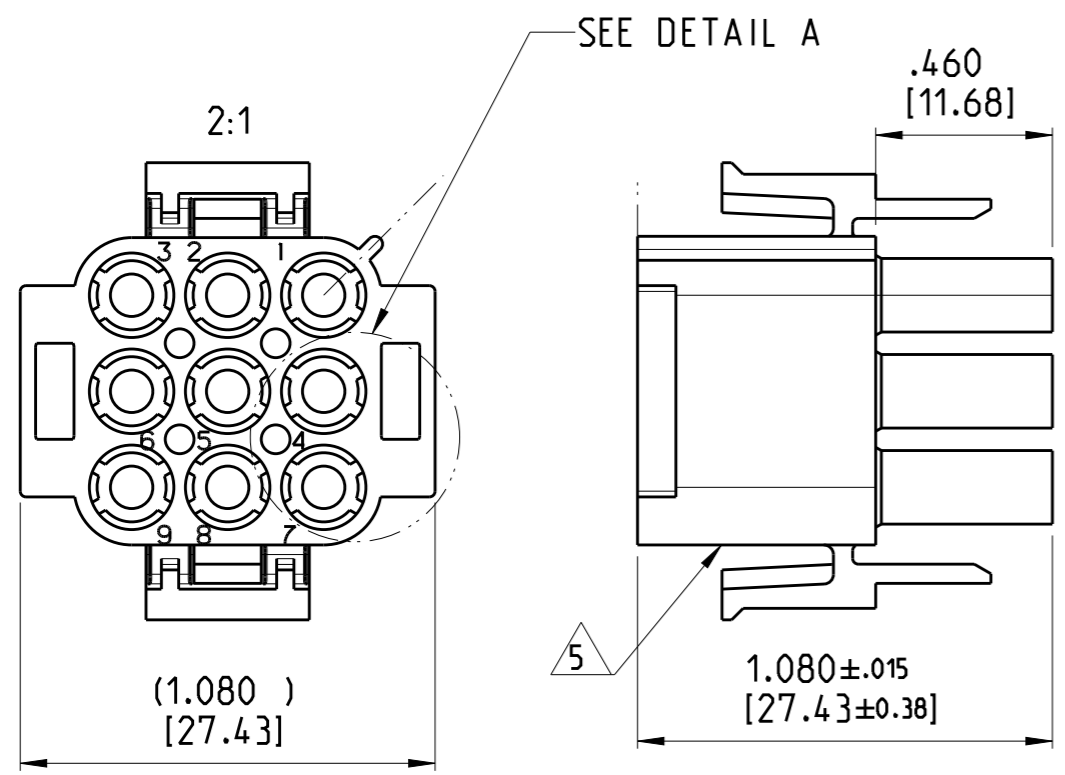
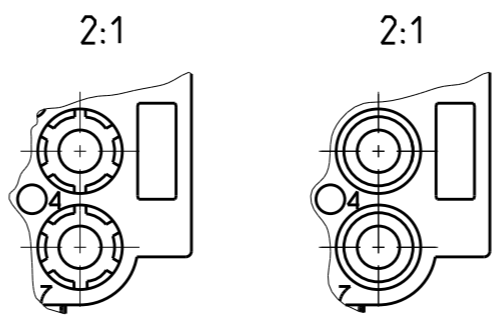
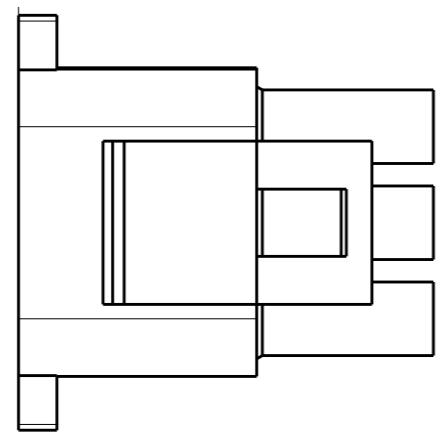


THIS DRAWING IS UNPUBLISHED  
 RELEASED FOR PUBLICATION 2009  
 ALL RIGHTS RESERVED.

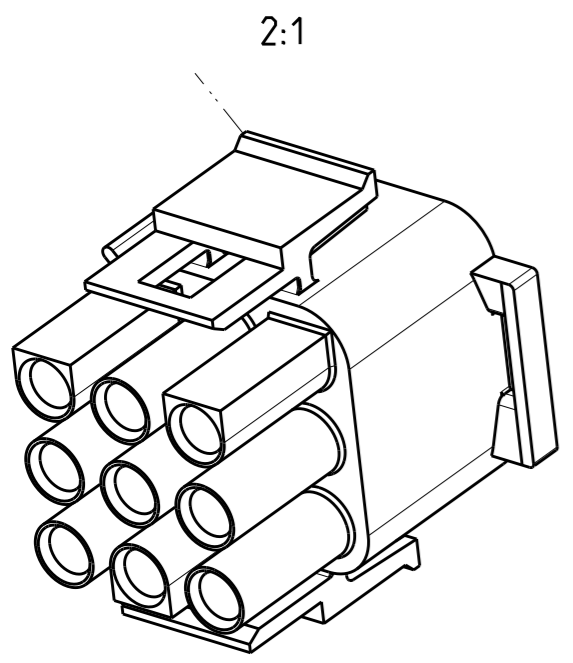
LOC	DIST	REVISIONS					
IR	-	P	LTR	DESCRIPTION	DATE	DWN	APVD
			A5	REVISED PER ECR-17-014951	16OCT2017	BDA	KR



- MATES WITH APPROPRIATE UNIVERSAL MATE-N-LOCK CAP OR HEADER
  - SMALL NICKS ARE PERMITTED ON THE CIRCUIT TOWERS WHICH COULD INCREASE THE INITIAL HOUSING MATING FORCE BY UPTO 4.4N [1.0 LBS]. NO INDIVIDUAL NICKED TOWER SHALL INCREASE THIS FORCE BY OVER 2.2N [.5LBS]
  - DIMENSIONS SHOWN REPRESENT PRODUCT IN DRY, AS MOLDED, CONDITION. ADDITIONAL 2% GROWTH DUE TO SUBSEQUENT MOISTURE ABSORPTION MAY OCCUR AND SHOULD BE ACCOUNTED FOR.
- △4 FOUR RIBS EQUALLY SPACED, NO SPECIFIC ORIENTATION, NO RIBS OR SIX RIBS EQUALLY SPACED, NO SPECIFIC ORIENTATION, OPTIONAL
  - △5 UNDERWRITERS RECOGNIZED COMPONENT LOGO AND CSA CERTIFICATION LOGO TO BE LOCATED ONCE ON EACH SIDE OF HOUSING
  - △6 NYLON, UL94V-2
  - △7 MATERIAL CORRESPONDING TO THE REQUIREMENTS OF IEC 60335 (INCL. GLOW WIRE TEST 750°C WITHOUT FLAME)
  - △8 PRELIMINARY PART NOT RELEASED FOR PRODUCTION



△4 OPTIONAL CONSTRUCTION  
 DETAIL A



REMARK	COLOUR	MATERIAL	PART No	SL No
△7	NATURAL	PA66 UL94-V0 GWT 750 °C	1-1863003-2	3
△8	NATURAL	PA6 UL94-V0	1-1863003-1	2
△7 △6	NATURAL	PA6 UL94-V2	1863003-1	1

THIS DRAWING IS A CONTROLLED DOCUMENT.		DWN J. SALO 29NOV2007	TE Connectivity	
DIMENSIONS: INCH [mm]		CHK J. LAZARO 29NOV2007		
TOLERANCES UNLESS OTHERWISE SPECIFIED:		APVD L. BATLLO 29NOV2007	NAME PLUG. 9 CIRCUIT UNIVERSAL MATE N LOCK	
0 PLC ±.013 [0.005] 1 PLC ±.013 [0.005] 2 PLC ±.013 [0.005] 3 PLC ±.013 [0.005] 4 PLC ±.013 [0.005] ANGLES ±.5° FINISH -		PRODUCT SPEC -	RESTRICTED TO -	
MATERIAL SEE TABLE		APPLICATION SPEC -	SIZE A3	CAGE CODE 00779
		WEIGHT -	DRAWING NO C-1863003	
		CUSTOMER DRAWING	SCALE 1:1	SHEET 1 OF 1
			REV A5	

## X-ON Electronics

Largest Supplier of Electrical and Electronic Components

*Click to view similar products for [Pin & Socket Connectors](#) category:*

*Click to view products by [TE Connectivity](#) manufacturer:*

Other Similar products are found below :

[6450822-1](#) [770392-1](#) [794042-1](#) [796885-1](#) [8-794535-1](#) [PLR3455ACS-222](#) [R929991004](#) [R929993003](#) [1403611-1](#) [1-480349-5](#) [152302-5](#)  
[153211-2](#) [1586092-1](#) [1586129-1](#) [1586681-4](#) [1586700-1](#) [1586368-1](#) [1586380-1](#) [1586616-1](#) [1586680-5](#) [16-06-0038](#) [164164-5](#) [1-6609930-1](#)  
[172296-1](#) [19-09-2035](#) [200503-1](#) [200788-2](#) [2029090-4](#) [2029095-4](#) [925061-7](#) [293734-4](#) [293737-2](#) [1-765362-4](#) [1871534-1](#) [200833-4](#)  
[2008625-2](#) [2029027-2](#) [2029096-4](#) [R929991000](#) [R929991002](#) [R929993000](#) [319-10-101-00-005000](#) [319-10-102-00-001000](#) [319-10-104-00-001000](#) [319-10-105-00-001000](#) [319-10-108-00-001000](#) [319-10-112-00-006000](#) [39-01-8019](#) [319-10-101-00-001000](#) [319-10-102-00-005000](#)