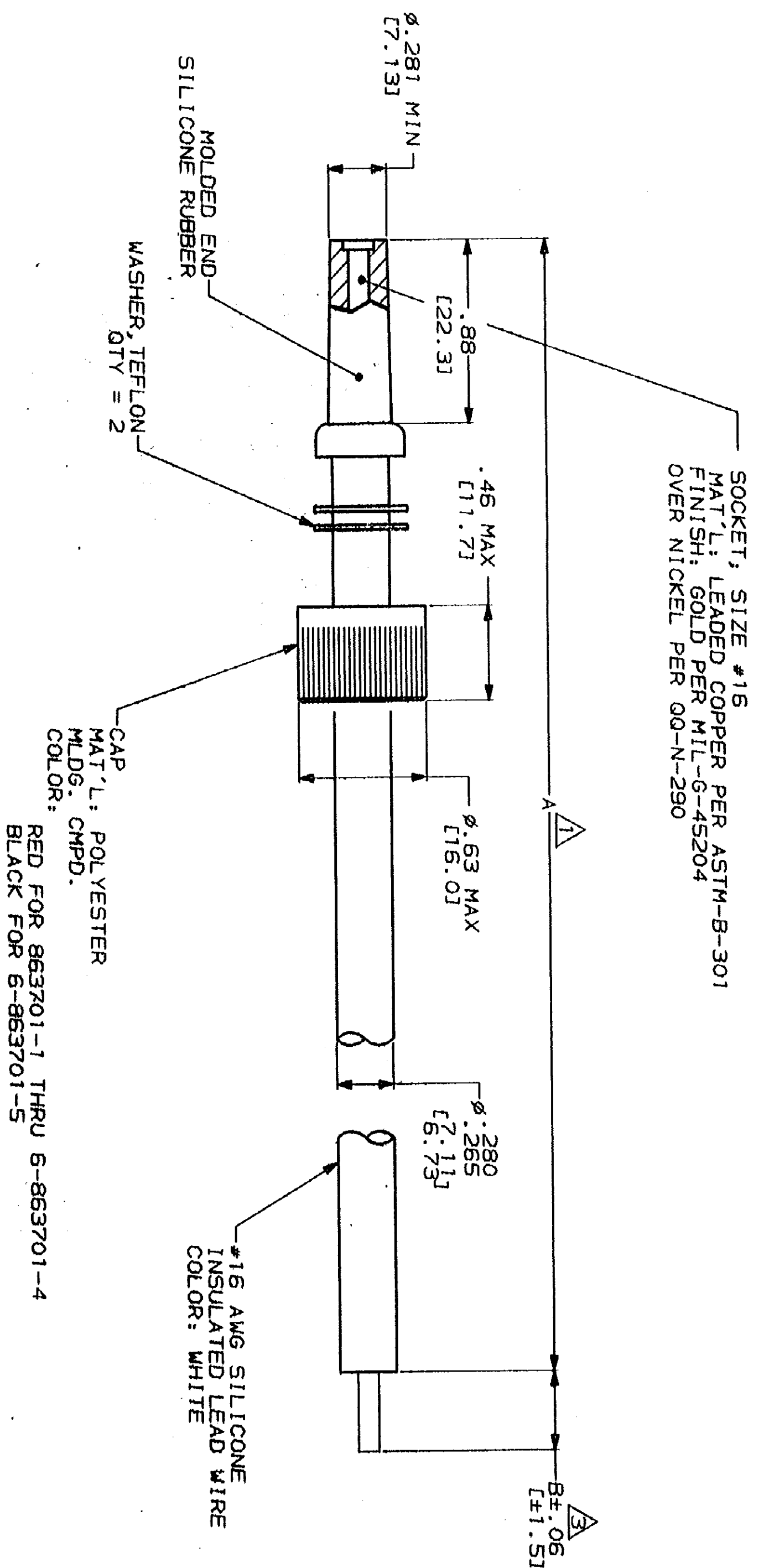


PART NO.	A	B
863701-1	11.00 [229.41]	-
863701-2	24.00 [609.61]	-
863701-3	6.50 [165.11]	.50 [12.71]
863701-4	9.00 [228.61]	-
863701-5	36.00 [914.41]	.38 [9.71]
863701-6	30.00 [762.01]	-
863701-7	6.00 [152.41]	.38 [9.71]
863701-8	24.00 [609.61]	.38 [9.71]
863701-9	20.00 [508.01]	.38 [9.71]
1-863701-0	18.00 [457.21]	.50 [12.71]
1-863701-1	12.00 [304.81]	.38 [9.71]
1-863701-2	3.50 [88.91]	.38 [9.71]
1-863701-3	48.00 [1219.21]	.38 [9.71]
1-863701-4	120.00 [3048.01]	.38 [9.71]
1-863701-5	620.00 [15748.01]	.38 [9.71]
1-863701-6	96.00 [2438.41]	.38 [9.71]
1-863701-7	35.00 [889.01]	.50 [12.71]
1-863701-8	26.00 [660.41]	.38 [9.71]
1-863701-9	16.00 [406.41]	.38 [9.71]
2-863701-0	25.00 [635.01]	.38 [9.71]
2-863701-1	28.00 [711.21]	.38 [9.71]
2-863701-2	12.00 [304.81]	.50 [12.71]
2-863701-3	27.00 [685.81]	.38 [9.71]
2-863701-4	180.00 [4572.01]	.38 [9.71]
2-863701-5	240.00 [6096.01]	.38 [9.71]
2-863701-6	72.00 [1828.81]	.38 [9.71]
2-863701-7	48.00 [1219.21]	-
2-863701-8	9.50 [241.31]	.50 [12.71]
2-863701-9	54.00 [1371.61]	.38 [9.71]
3-863701-0	15.00 [381.01]	.38 [9.71]
3-863701-1	72.00 [1828.81]	-
3-863701-2	22.00 [558.81]	.38 [9.71]
3-863701-3	9.00 [228.61]	.38 [9.71]
3-863701-4	4.50 [114.31]	.38 [9.71]
3-863701-5	15.43 [391.91]	.38 [9.71]
3-863701-6	11.00 [279.41]	.25 [6.31]
3-863701-7	15.00 [381.01]	.25 [6.31]
3-863701-8	29.00 [736.61]	.38 [9.71]
3-863701-9	96.00 [2438.41]	.38 [9.71]
4-863701-0	73.00 [1854.21]	.38 [9.71]
4-863701-1	40.00 [1016.01]	.38 [9.71]
4-863701-2	60.00 [1524.01]	.38 [9.71]
4-863701-3	42.00 [1066.81]	.38 [9.71]
4-863701-4	4.00 [101.61]	.38 [9.71]
4-863701-5	10.00 [254.01]	.38 [9.71]
4-863701-6	14.00 [355.61]	.38 [9.71]
4-863701-7	8.00 [203.21]	.38 [9.71]
4-863701-8	5.50 [139.71]	.38 [9.71]
4-863701-9	3.00 [76.21]	.38 [9.71]
5-863701-0	19.00 [482.61]	.38 [9.71]

PART NO.	A	B
5-863701-1	15.75 [400.01]	-
5-863701-2	7.00 [177.81]	.38 [9.71]
5-863701-3	13.00 [330.21]	.38 [9.71]
5-863701-4	11.50 [292.11]	.38 [9.71]
5-863701-5	4.75 [120.61]	.38 [9.71]
5-863701-6	144.00 [3657.61]	.38 [9.71]
5-863701-7	50.00 [1270.01]	.38 [9.71]
5-863701-8	84.00 [2133.61]	.38 [9.71]
5-863701-9	5.25 [133.31]	.38 [9.71]
6-863701-0	80.00 [2032.01]	.38 [9.71]
6-863701-1	19.50 [495.31]	.38 [9.71]
6-863701-2	39.50 [1003.31]	.38 [9.71]
6-863701-3	12.50 [317.51]	.38 [9.71]
6-863701-4	30.00 [762.01]	.38 [9.71]
6-863701-5	12.00 [304.81]	.38 [9.71]

PART NO.	A	B
863701-1	11.00 [229.41]	-
863701-2	24.00 [609.61]	-
863701-3	6.50 [165.11]	.50 [12.71]
863701-4	9.00 [228.61]	-
863701-5	36.00 [914.41]	.38 [9.71]
863701-6	30.00 [762.01]	-
863701-7	6.00 [152.41]	.38 [9.71]
863701-8	24.00 [609.61]	.38 [9.71]
863701-9	20.00 [508.01]	.38 [9.71]
1-863701-0	18.00 [457.21]	.50 [12.71]
1-863701-1	12.00 [304.81]	.38 [9.71]
1-863701-2	3.50 [88.91]	.38 [9.71]
1-863701-3	48.00 [1219.21]	.38 [9.71]
1-863701-4	120.00 [3048.01]	.38 [9.71]
1-863701-5	620.00 [15748.01]	.38 [9.71]
1-863701-6	96.00 [2438.41]	.38 [9.71]
1-863701-7	35.00 [889.01]	.50 [12.71]
1-863701-8	26.00 [660.41]	.38 [9.71]
1-863701-9	16.00 [406.41]	.38 [9.71]
2-863701-0	25.00 [635.01]	.38 [9.71]
2-863701-1	28.00 [711.21]	.38 [9.71]
2-863701-2	12.00 [304.81]	.50 [12.71]
2-863701-3	27.00 [685.81]	.38 [9.71]
2-863701-4	180.00 [4572.01]	.38 [9.71]
2-863701-5	240.00 [6096.01]	.38 [9.71]
2-863701-6	72.00 [1828.81]	.38 [9.71]
2-863701-7	48.00 [1219.21]	-
2-863701-8	9.50 [241.31]	.50 [12.71]
2-863701-9	54.00 [1371.61]	.38 [9.71]
3-863701-0	15.00 [381.01]	.38 [9.71]
3-863701-1	72.00 [1828.81]	-
3-863701-2	22.00 [558.81]	.38 [9.71]
3-863701-3	9.00 [228.61]	.38 [9.71]
3-863701-4	4.50 [114.31]	.38 [9.71]
3-863701-5	15.43 [391.91]	.38 [9.71]
3-863701-6	11.00 [279.41]	.25 [6.31]
3-863701-7	15.00 [381.01]	.25 [6.31]
3-863701-8	29.00 [736.61]	.38 [9.71]
3-863701-9	96.00 [2438.41]	.38 [9.71]
4-863701-0	73.00 [1854.21]	.38 [9.71]
4-863701-1	40.00 [1016.01]	.38 [9.71]
4-863701-2	60.00 [1524.01]	.38 [9.71]
4-863701-3	42.00 [1066.81]	.38 [9.71]
4-863701-4	4.00 [101.61]	.38 [9.71]
4-863701-5	10.00 [254.01]	.38 [9.71]
4-863701-6	14.00 [355.61]	.38 [9.71]
4-863701-7	8.00 [203.21]	.38 [9.71]
4-863701-8	5.50 [139.71]	.38 [9.71]
4-863701-9	3.00 [76.21]	.38 [9.71]
5-863701-0	19.00 [482.61]	.38 [9.71]

PART NO.	A	B
5-863701-1	15.75 [400.01]	-
5-863701-2	7.00 [177.81]	.38 [9.71]
5-863701-3	13.00 [330.21]	.38 [9.71]
5-863701-4	11.50 [292.11]	.38 [9.71]
5-863701-5	4.75 [120.61]	.38 [9.71]
5-863701-6	144.00 [3657.61]	.38 [9.71]
5-863701-7	50.00 [1270.01]	.38 [9.71]
5-863701-8	84.00 [2133.61]	.38 [9.71]
5-863701-9	5.25 [133.31]	.38 [9.71]
6-863701-0	80.00 [2032.01]	.38 [9.71]
6-863701-1	19.50 [495.31]	.38 [9.71]
6-863701-2	39.50 [1003.31]	.38 [9.71]
6-863701-3	12.50 [317.51]	.38 [9.71]
6-863701-4	30.00 [762.01]	.38 [9.71]
6-863701-5	12.00 [304.81]	.38 [9.71]



- TOLERANCE OF LEAD LENGTH:
UP TO 24 INCHES [609.61] = ±.12 [3.01]
24 INCHES [609.61] & UP = ±.1%
- MARKED PER MIL-STD-130.
- PIGTAIL IS SOLDER DIPPED.
- TO MATE WITH AMP LGH-1 RECEPTACLE WITH .88 BARREL DEPTH.
- OPERATING VOLTAGE: 20 KVDC AT 0 TO 70,000 FEET, -55°C TO 125°C.

DO NOT SCALE PRINT. UNLESS SPECIFIED DIMENSIONS IN INCHES [mm] 2 P.L.C. DEC. ± .02 [0.51] 3 P.L.C. DEC. ± .01 [0.25] ANGLES MATERIAL	DR 11-2-90 C.C. THOMAS	DATE 11-6-90
SEE CALLOUTS	APPROVED BY [Signature]	11/7/90
FINISH	APPLICATION SPEC	SCALE 2:1
WEIGHT	SIZE D CASE CODE 00779	DRAWING NO 863701
		SHEET 1 OF 1

AMP INCORPORATED
 LEAD ASS'Y, LGH-1,
 SINGLE MOLDED END
 CUSTOMER DRAWING

REV	DATE	BY	DESCRIPTION
1	11-30-90	[Signature]	ADD 6-5 & REVISION PER DF-3866

X-ON Electronics

Largest Supplier of Electrical and Electronic Components

Click to view similar products for [DC Power Cords](#) category:

Click to view products by [TE Connectivity](#) manufacturer:

Other Similar products are found below :

[H-IN-1](#) [H-IN-12](#) [1300000052](#) [H-OU-32](#) [H-OU-34](#) [H-OU-7](#) [H-OU-8](#) [H-OU-9](#) [H-PA-7](#) [H-RC-2](#) [H-SN-16](#) [H-SN-21](#) [172-4000](#) [172-4101](#)
[172-7443-E](#) [2J-1865A](#) [H-IN-13](#) [H-IN-14](#) [H-IN-4](#) [H-IN-8](#) [426055400-3](#) [MN47A4BC01M010](#) [H-OU-11](#) [H-OU-12](#) [H-OU-13](#) [H-OU-14](#) [H-](#)
[OU-19](#) [H-OU-2](#) [H-OU-23](#) [H-OU-24](#) [H-OU-31](#) [H-PA-5](#) [H-PA-8](#) [H-RC-1](#) [H-SN-14](#) [H-SN-22](#) [32102-021500-200-RS](#) [420680840-3](#)
[426451500-3](#) [H-SN-18](#) [H-OU-21](#) [H-OU-10](#) [1-832692-4](#) [FJ-VSP 3M](#) [1300000086](#) [1300140079](#) [96CB-POWER-B-1.8M2](#) [520-092-R](#)
[426040200](#) [H-OU-28](#)