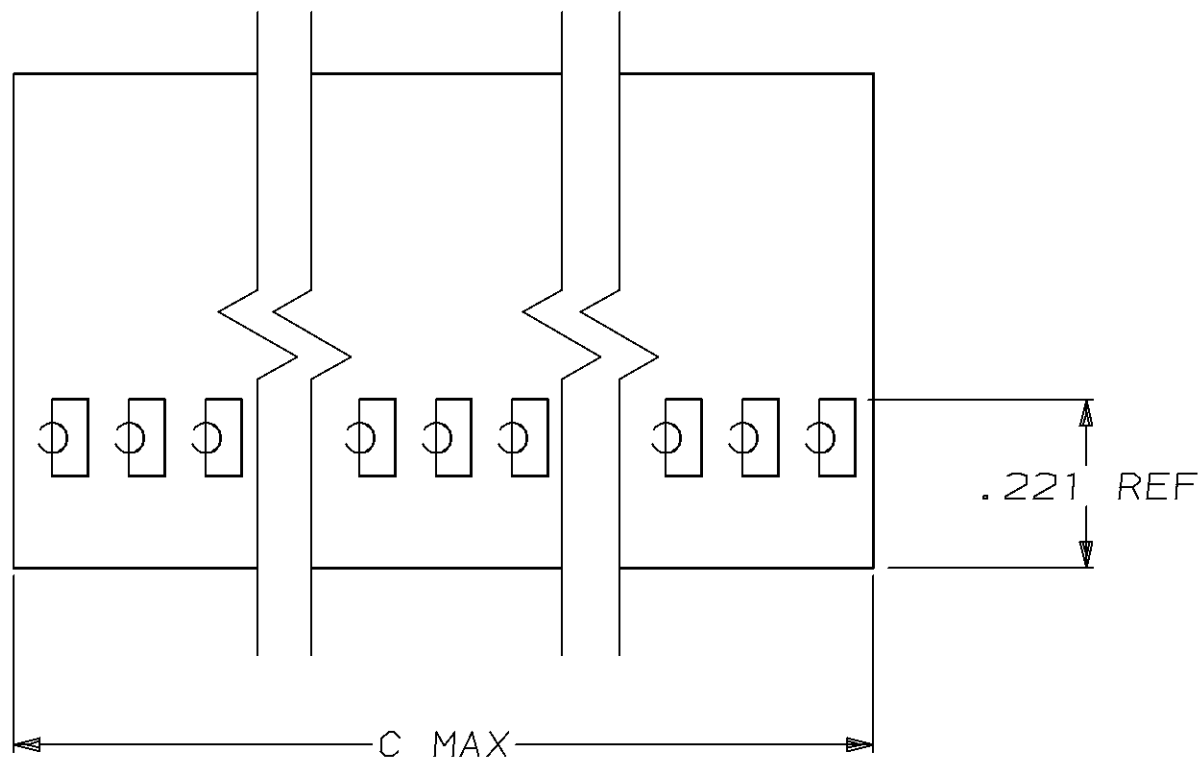
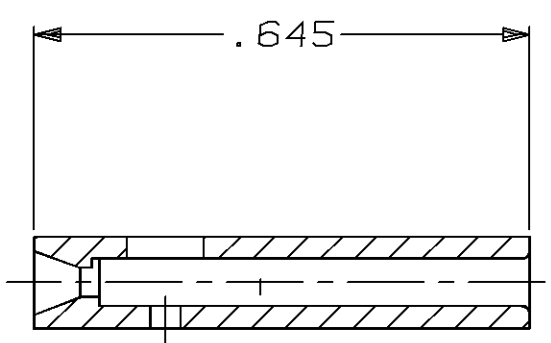
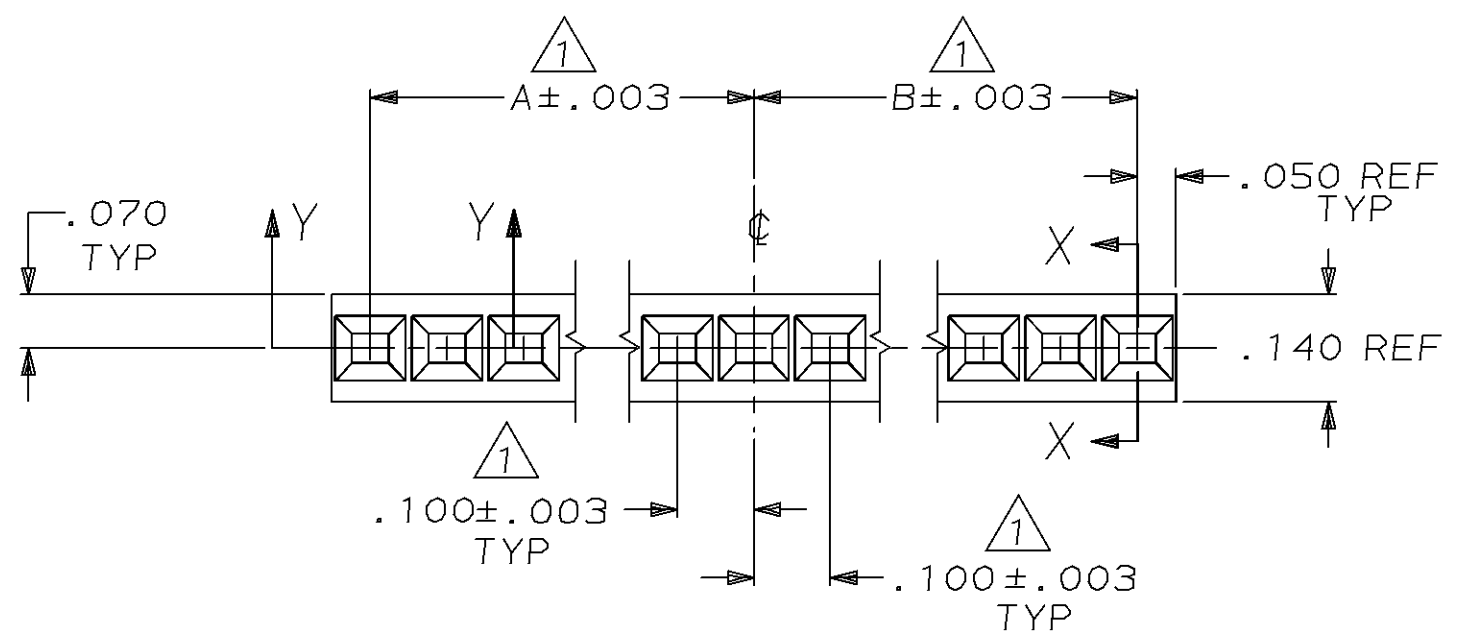


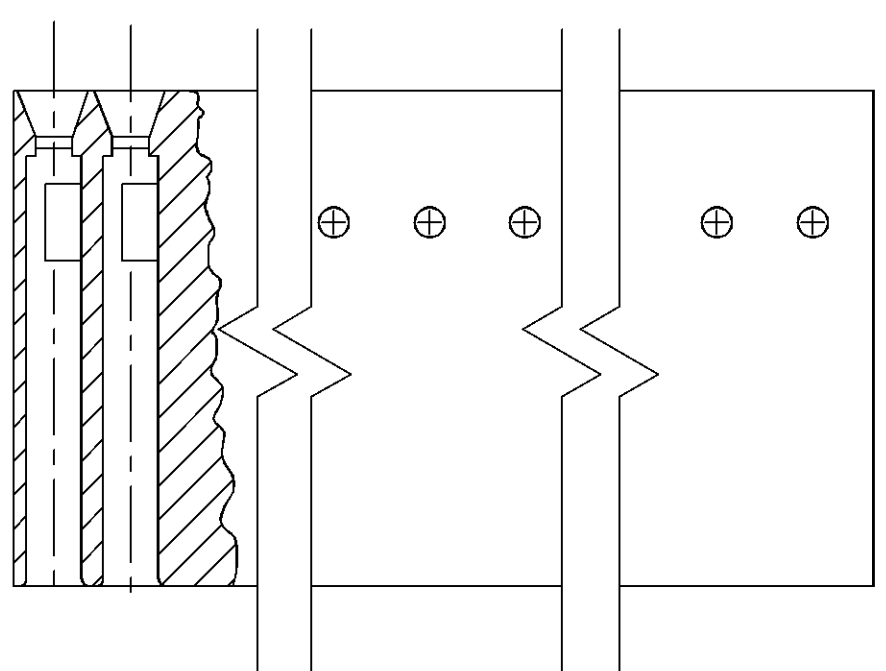
MOD	LOC	DIST	REVISIONS						
30	AD	39	P	F	ZONE	LTR	DESCRIPTION	DATE	DS
					L		REV PER 0G3C-0200-04	05NOV04	



- ① CAVITY LOCATION DIMENSIONS INCREASE IN INCREMENTS OF .100 TOLERANCE NON-CUMULATIVE
- ② USE EXTRACTION TOOL 91052-1 TO REMOVE RECEPTACLE CONTACTS.
- ③ GLASS FILLED NYLON COLOR-BLACK. PER ASTM D4066



SECT X-X



SECT Y-Y

	C	B	A	NO. OF POS.	PART NUMBER
OBSOLETE	2.405	1.100	1.200	24	2-86426-2
OBSOLETE	3.005	1.400	1.500	30	2-86426-0
OBSOLETE	.905	.400	.400	9	1-86426-7
OBSOLETE	5.005	2.400	2.500	50	1-86426-6
OBSOLETE	3.605	1.700	1.800	36	1-86426-5
OBSOLETE	1.605	.700	.800	16	1-86426-4
OBSOLETE	1.205	.500	.600	12	1-86426-3
OBSOLETE	1.805	.800	.900	18	1-86426-2
OBSOLETE	.305	.100	.100	3	1-86426-1
OBSOLETE	.405	.100	.200	4	1-86426-0
OBSOLETE	.605	.200	.300	6	86426-9
OBSOLETE	.505	.200	.200	5	86426-7
OBSOLETE	1.505	.700	.700	15	86426-6
OBSOLETE	.805	.300	.400	8	86426-5
OBSOLETE	1.405	.600	.700	14	86426-4
OBSOLETE	2.005	.900	1.000	20	86426-3
OBSOLETE	1.005	.400	.500	10	86426-2
OBSOLETE	.705	.300	.300	7	86426-1

DO NOT SCALE PRINT. UNLESS SPECIFIED DIMENSIONS IN INCHES TOLERANCES ON : 2 PLC DEC ± - 3 PLC DEC ± .005 ANGLES ± 0°30'		DR 9-20-89 BOB BOLES BG		AMP INCORPORATED Harrisburg, Pa. 17105	
MATERIAL ③		CHK 10-23-89 J. GESFORD		NAME HOUSING, CRIMP SNAP-IN, MOD IV, SINGLE ROW, .100 CENTERS	
FINISH -		APPD 10-23-89 J. GESFORD		SIZE C	
-		APPD 10-23-89 FLINCHBAUGH		FSCM NO 00779	
-		PRODUCT SPEC -		DRAWING NO 86426	
-		APPLICATION SPEC -		SCALE 4:1	
-		WEIGHT -		SHEET 1 OF 1	

## X-ON Electronics

Largest Supplier of Electrical and Electronic Components

*Click to view similar products for [Headers & Wire Housings](#) category:*

*Click to view products by [TE Connectivity](#) manufacturer:*

Other Similar products are found below :

[892-18-020-10-001101](#) [58102-G61-06LF](#) [582553-1](#) [0009485154](#) [009176003701906](#) [0050291907](#) [LY20-4P-DT1-P1E-BR](#) [02.125.8002.8](#)  
[609-3404](#) [61062-3](#) [61082-181009](#) [622-3653LF](#) [63453-116](#) [636-1030](#) [636-1427](#) [636-3427](#) [636-4007](#) [641938-9](#) [641991-4](#) [644827-2](#) [65817-](#)  
[010LF](#) [65817-015LF](#) [65863-015LF](#) [66207-023LF](#) [67095-007LF](#) [67601157](#) [68645-018](#) [68648-049](#) [70.362.1628.0](#) [70-4210](#) [70-4226B](#) [70-](#)  
[4853B](#) [707-5020](#) [707-5028](#) [71.350.2428.0](#) [71918-208LF](#) [71961-016LF](#) [733-134](#) [733-162](#) [754199-000](#) [760-3052](#) [787-8014-00](#) [79531-3000](#)  
[FCN-360C032-B](#) [FCN-367T-T012/H](#) [FCN-723D010/2](#) [80.063.4001.1](#) [800-90-001-10-001000](#) [800-90-010-10-002000](#) [801-43-002-10-013000](#)