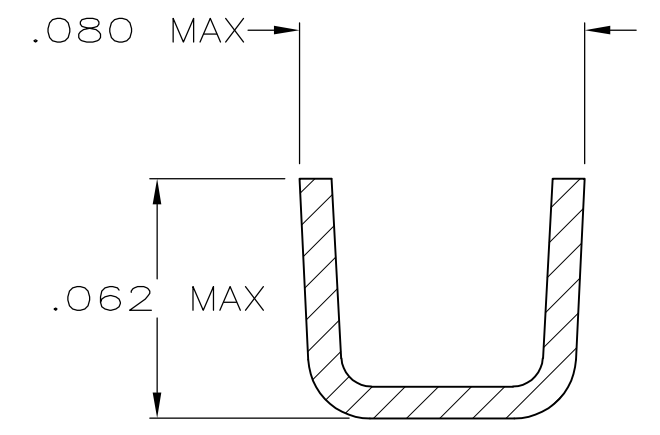
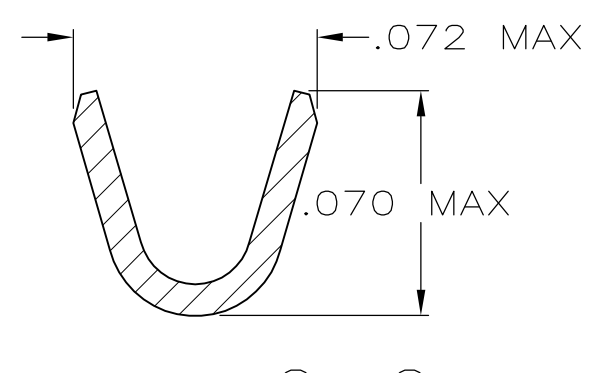
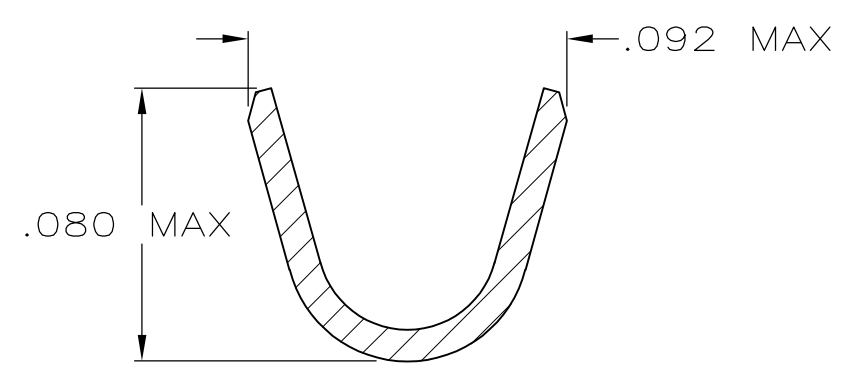
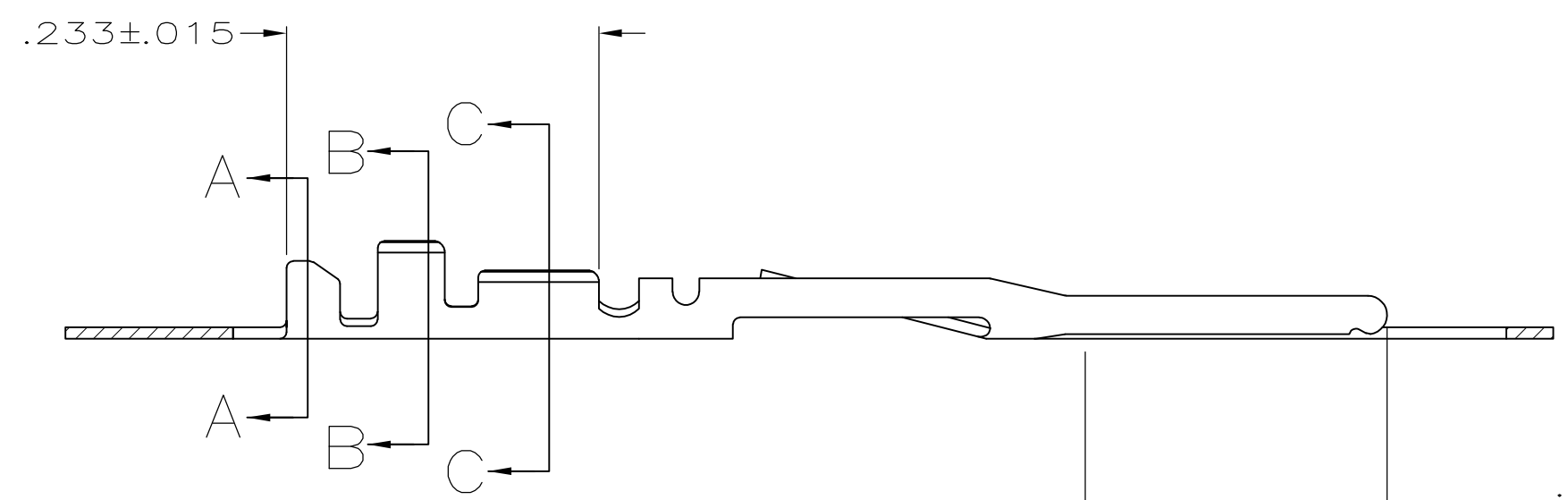
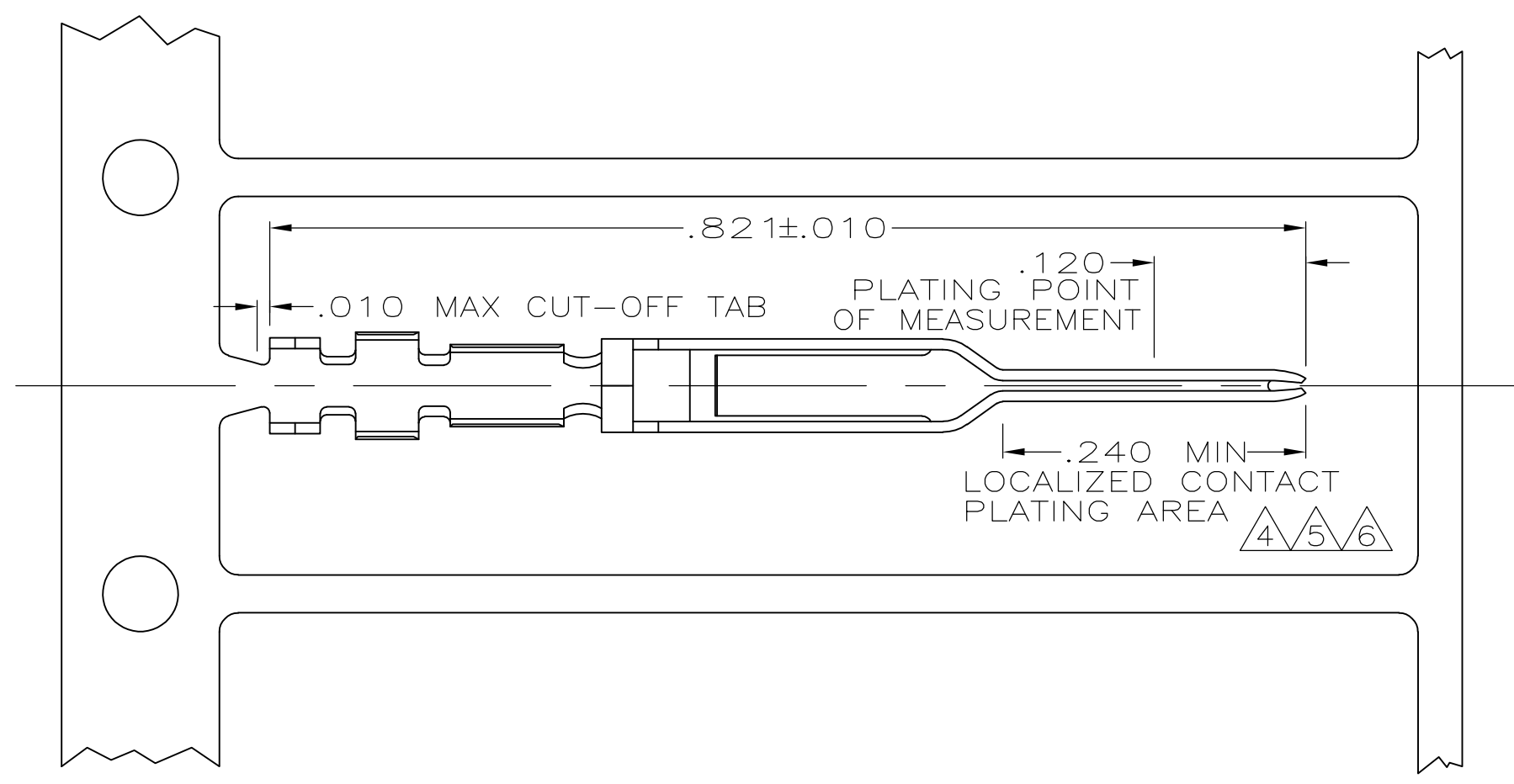


THIS DRAWING IS UNPUBLISHED. RELEASED FOR PUBLICATION
 © COPYRIGHT - By - ALL RIGHTS RESERVED.

LOC		DIST		REVISIONS			
P	LTR	DESCRIPTION		DATE	DWN	APVD	
GP	00	AA1	REVISED PER ECO-11-004835	11MAR11	RK	HMR	



- ① FOR STD APPLICATOR.
- ② FOR MINI APPLICATOR.
- ③ FINISH: .000100 MIN THK BRIGHT TIN LEAD OVER .000050 MIN THK NICKEL ON ENTIRE CONTACT.
- ④ FINISH: .000015 THK GOLD IN LOCALIZED CONTACT PLATING AREA AND GOLD FLASH IN OTHER AREAS OVER .000050 MIN NICKEL ON ENTIRE CONTACT,
 -OR-
 GOLD FLASH OVER PALLADIUM-NICKEL, .000015 MIN TOTAL THK IN LOCALIZED CONTACT PLATING AREA AND GOLD FLASH ON REMAINDER OVER .000050 MIN NICKEL ON ENTIRE CONTACT.
- ⑤ FINISH: .000030 THK GOLD IN LOCALIZED CONTACT PLATING AREA AND GOLD FLASH IN OTHER AREAS OVER .000050 MIN NICKEL ON ENTIRE CONTACT.
 -OR-
 GOLD FLASH OVER PALLADIUM-NICKEL, .000030 MIN TOTAL THK IN LOCALIZED CONTACT PLATING AREA AND GOLD FLASH ON REMAINDER OVER .000050 MIN NICKEL ON ENTIRE CONTACT.
- ⑥ FINISH: .000050 THK GOLD IN LOCALIZED CONTACT PLATING AREA AND GOLD FLASH IN OTHER AREAS OVER .000050 MIN NICKEL ON ENTIRE CONTACT.
 -OR-
 GOLD FLASH OVER PALLADIUM-NICKEL, .000050 MIN TOTAL THK IN LOCALIZED CONTACT PLATING AREA AND GOLD FLASH ON REMAINDER OVER .000050 MIN NICKEL ON ENTIRE CONTACT.
- ⑦ FINISH: .000030 THK GOLD ON ENTIRE CONTACT (EXCEPT .000003 PERMISSIBLE ON INTERIOR OF CONTACT NOSE) OVER .000050 MIN THK NICKEL ON ENTIRE CONTACT.
- 8. FOR 22-26 AWG WIRE WITH AN INSULATION RANGE OF .040-.056 DIA.
- ⑨ OBSOLETE PART NO.
- ⑩ FINISH: .000100 MIN THK TIN OVER .000050 MIN THK NICKEL ON ENTIRE CONTACT.

⑩	1-86561-0	②	1-86557-9
⑦	---	⑨	②
③	---	⑨	①
③	86561-9	②	1-86557-4
---	---	⑨	①
⑥	---	⑨	①
④	---	⑨	①
⑤	---	⑨	①
---	---	⑨	②
⑥	86561-7	②	86557-7
④	86561-6	②	86557-6
⑤	86561-4	②	86557-4
FINISH	LOOSE PIECE PART NO	PART NO	

THIS DRAWING IS A CONTROLLED DOCUMENT.

DIMENSIONS: INCHES	TOLERANCES UNLESS OTHERWISE SPECIFIED:	DWN J. GALLUCCI 6-27-89	TE Connectivity
	0 PLC ± -	CHK D.L. ROCKER 6-28-89	
	1 PLC ± -	APVD G.D. MILLER 6-29-89	
	2 PLC ± -	PRODUCT SPEC 108-9024	
MATERIAL PHOS. BRONZE	FINISH SEE TABLE	APPLICATION SPEC 114-16003	NAME CONTACT, PIN, .025 SQ ROUND WIRE, .100 CENTERLINE, FFC SIZE A2 CAGE CODE 00779 DRAWING NO C=86557 RESTRICTED TO - WEIGHT - SCALE 8:1 SHEET 1 OF 1 REV AA1 CUSTOMER DRAWING

X-ON Electronics

Largest Supplier of Electrical and Electronic Components

Click to view similar products for [FFC & FPC Connectors](#) category:

Click to view products by [TE Connectivity](#) manufacturer:

Other Similar products are found below :

[FPH-1422G](#) [FPH-1602G](#) [K-FC20](#) [FPH-2022G](#) [AYF332735](#) [52610-1075](#) [52610-1275](#) [52610-1934](#) [501864-3091-TR225](#) [086222026001800](#)
[52610-0675](#) [62684-36210E9ALF](#) [52746-1671-TR250](#) [10051922-2810EHLF](#) [6-520415-9](#) [SFV6R-1STE9HLF](#) [XF3M-2915-1B-R100](#)
[1658549-1](#) [AYF534065TA](#) [AYF351525](#) [086212040340800+](#) [67000-014LF](#) [67000-004LF](#) [006207341915000+](#) [DS1020-19RT1D](#) [67000-](#)
[003LF](#) [67000-011LF](#) [67000-016LF](#) [HFW14R-2STE9LF](#) [SFV32R-2STBE9HLF](#) [SFW12R-5STE9LF](#) [SFW18R-1STAE9LF](#) [SFW4R-5STE9LF](#)
[52807-0430](#) [046283021002868+](#) [THD1015-8CL-SN](#) [67000-006LF](#) [502250-8027](#) [104267-9617](#) [66987-011LF](#) [AYF362535](#) [F0501-T-50-20T-](#)
[R](#) [F1003-ZV-12-25T-R](#) [HFW8S-2STAE1HLF](#) [67000-008LF](#) [67000-012LF](#) [ECC576069EU](#) [F1002-B-20-20T-R](#) [HFW15S-2STAE1HLF](#)
[HFW22R-2STE1H1LF](#)