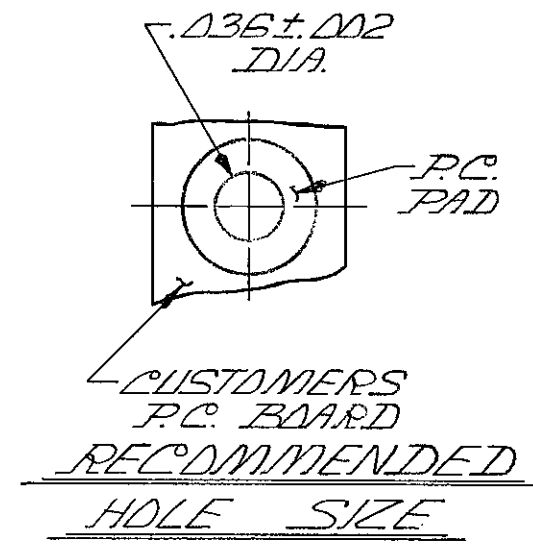
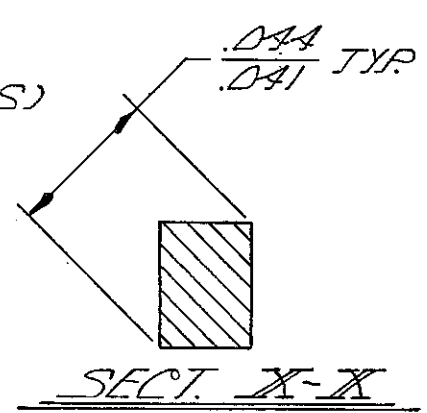
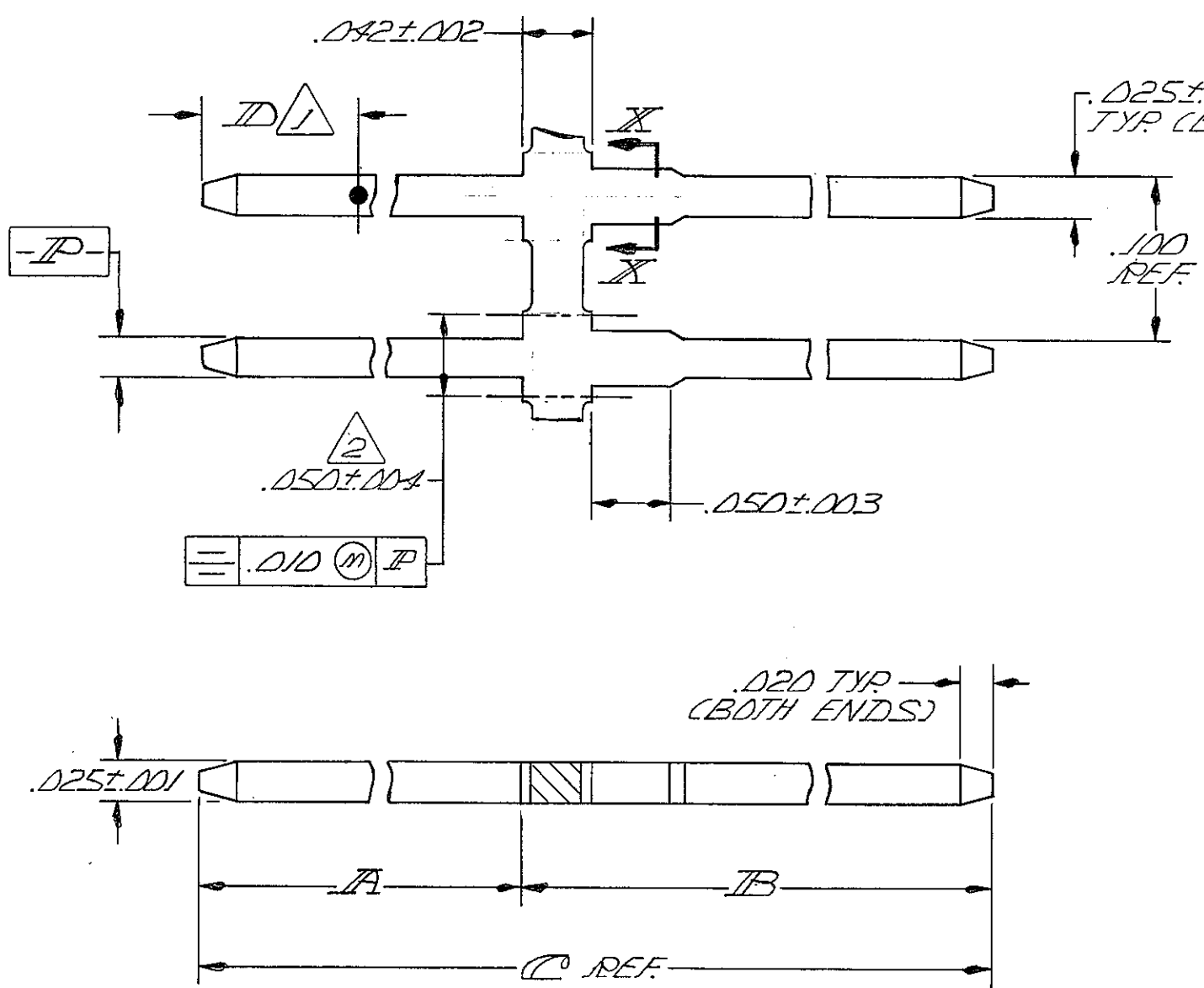


© COPYRIGHT

REVISIONS					DATE	APPROVED
P	F	ZONE	LTR	DESCRIPTION		
		W2		REVISED PER ECO-11-005140	31MAR11	HMR



SEE 87878 FOR ADDITIONAL PART NO'S.

- 1 POINT OF MEASUREMENT FOR PLATING THICKNESS.
- 2 CUSTOMERS APPLICATOR CUT-OFF DIMENSION.
- 3 .00030 GOLD OVER .00050 NICKEL.
- 4 .00015 GOLD OVER .00050 NICKEL.
- 5 .000100-.000200 BRIGHT TIN-LEAD OVER .00050 NICKEL.
- 6 .00050 GOLD OVER .00050 NICKEL.
- 7 .00010 GOLD OVER .00050 NICKEL.
- 8 OBSOLETE PART NO
- 9 SUPERSEDED BY 87022-9
- 10 SUPERSEDED BY 3-104246-4
- 11 SUPERSEDED BY 4-87022-1
- 12 OBSOLETE PARTS: OBSOLETE CIS STREAMLINING PER D.RENAUD/D.SINISI
- 13 OBSOLETE
- 14 SUPERSEDED

SUPERSEDE BY 104842-2

ID	C	B	A	FINISH	PART NO.	ID	C	B	A	FINISH	PART NO.
.130	.483	.165	.318	4	4-87022-4						
.130	.483	.165	.318	3	4-87022-1						
.100	.688	.410	.278	3	4-87022-0						
	.628	.350	.278	5	3-87022-9						
	.928	.650	.278	5	3-87022-8						
.330	.915	.255	.660	4	3-87022-7						
	.533		.278	5	3-87022-6						
.430	1.115		.860	3	3-87022-5						
.330	.915		.660	3	3-87022-4						
.230	.715		.460	3	3-87022-3						
.200	.650	.255	.395	3	3-87022-2						
	.828	.550	.278	5	3-87022-1						
.100	.688	.410		4	3-87022-0						
	.863	.585		3	2-87022-9						
.100	.663	.385	.278	3	2-87022-8						
.280	.815	.255	.560	4	2-87022-7						
.100	.533	.255	.278	4	2-87022-6						
.100	.533	.255	.278	3	2-87022-5						
.100	.608	.330	.278	3	2-87022-4						
.335	.835	.165	.670	4	2-87022-3						
.100	.562	.284	.278	6	2-87022-2						
	.928	.650		4	2-87022-1						
	.828	.550		4	2-87022-0						
.100	.863	.585		4	1-87022-9						
.100	.663	.385		4	1-87022-8						
.100	.863	.585		4	1-87022-7						
.100	.663	.385		4	1-87022-6						
	1.438	1.160		5	1-87022-5						
.100	1.438	1.160		4	1-87022-4						
	1.238	.960		5	1-87022-3						
.100	1.238	.960	.278	4	1-87022-2						
.200	.580	.165	.395	3	1-87022-1						
.100	1.438	1.160	.278	3	1-87022-0						
	1.238	.960		3	1-87022-9						
	.738	.450		3	1-87022-8						
	.928	.650		6	1-87022-7						
	.628	.350	.278	6	1-87022-6						
	.508	.230	.278	4	1-87022-5						
.100	.437	.227	.210	4	1-87022-4						
	1.065	.165	.300	5	1-87022-3						
	.483	.165	.318	5	1-87022-2						
					1-87022-1						

UNLESS OTHERWISE SPECIFIED DIMENSIONS ARE IN INCHES. TOLERANCES ON: DECIMALS ± .005 ANGLES ±	CONTRACT NO		TE Connectivity NAME <i>POST, MOD II, .025 SQ., UNINSULATED</i>
	MATERIAL <i>PHOS. BRONZE</i>	DR <i>[Signature]</i>	
FINISH <i>SEE TABLE</i>	DSGN APPD	OTHER APPD	SIZE <b>C</b> FSCM NO <b>00779</b> DRAWING NO <b>87022</b>
			SCALE <b>#</b> SHEET <b>1 OF 1</b>

## X-ON Electronics

Largest Supplier of Electrical and Electronic Components

*Click to view similar products for [Headers & Wire Housings](#) category:*

*Click to view products by [TE Connectivity](#) manufacturer:*

Other Similar products are found below :

[95000-104TRLF](#) [10135584-644402LF](#) [DF62W-EP2022PCA](#) [95000-106TRLF](#) [DF62W-2022SCA](#) [DF62W-EP2022PC](#) [2203348](#) [DF62W-2022SC](#) [1084018](#) [1029039](#) [1084017](#) [802-10-012-10-002000](#) [1112640](#) [1112639](#) [891-007-9SS-BST1T](#) [000-34000](#) [0008550134](#) [0009482033](#) [0009507031](#) [57102-F02-18ULF](#) [57102-S06-03LF](#) [57202-S52-04LF](#) [PCN6-15S-2.5E](#) [0039019024](#) [58102-G61-06LF](#) [582553-1](#) [0009485154](#) [0009508121](#) [0022285053](#) [0050291907](#) [018731A](#) [LY20-4P-DT1-P1E-BR](#) [02.125.8002.8](#) [60101931](#) [60598-1 \(Cut Strip\)](#) [M1625-3R/100](#) [61062-3](#) [61082-181009](#) [CSU011177004](#) [636-1427](#) [638009-1](#) [641938-9](#) [641991-4](#) [644168-1](#) [644827-2](#) [647662-1](#) [65039-019ELF](#) [65692-001LF](#) [65781-018](#) [65781-047](#)