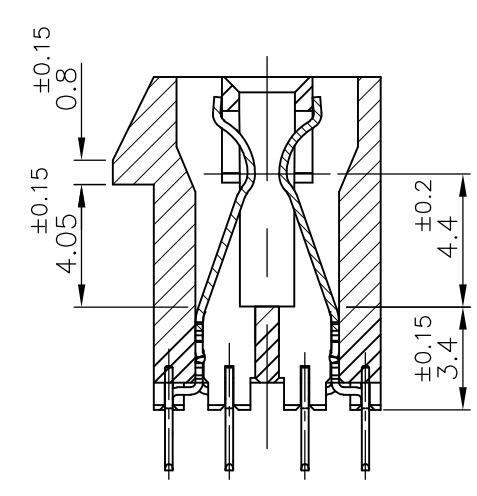
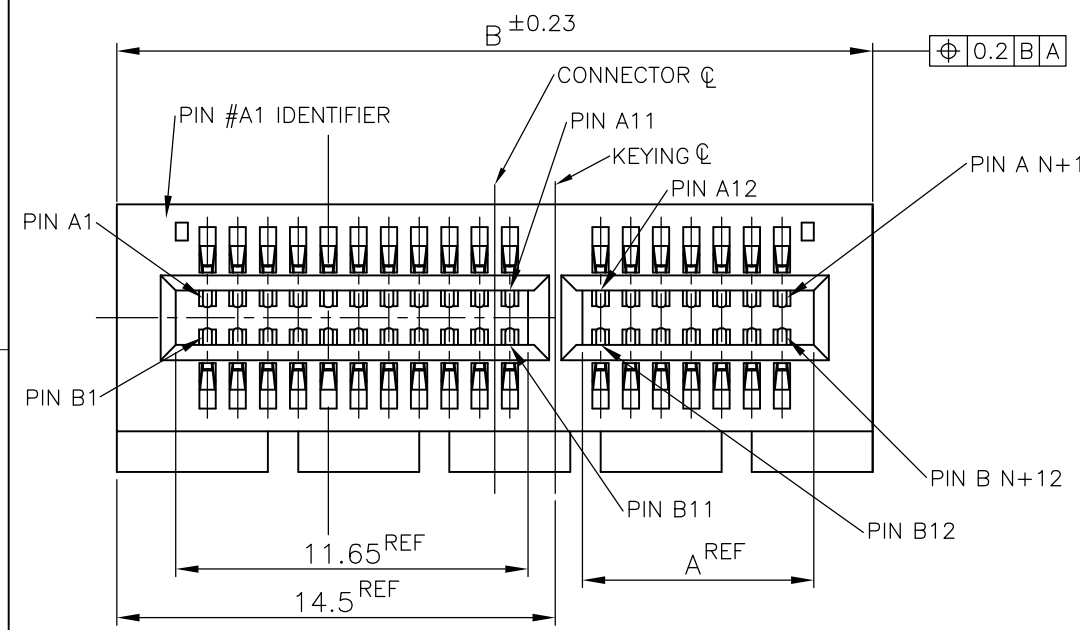
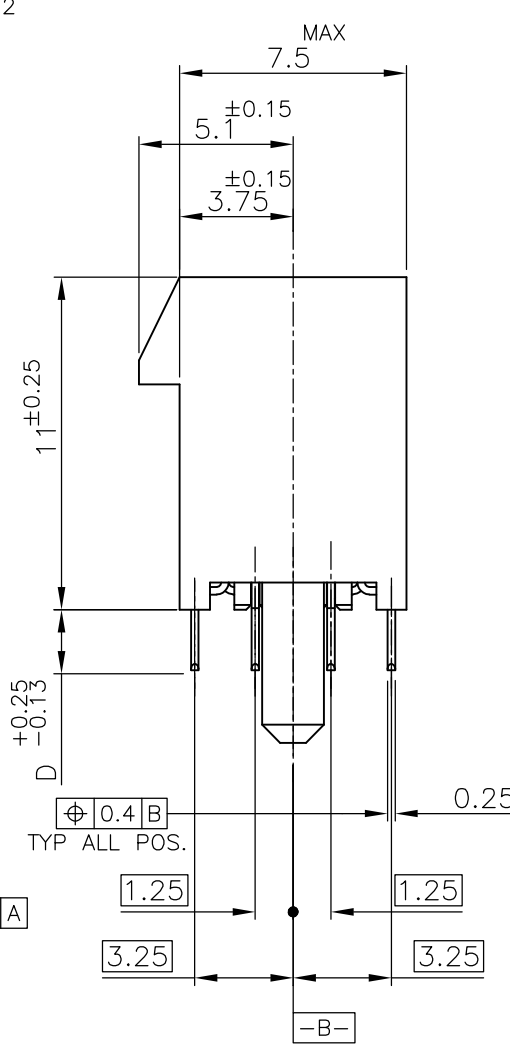
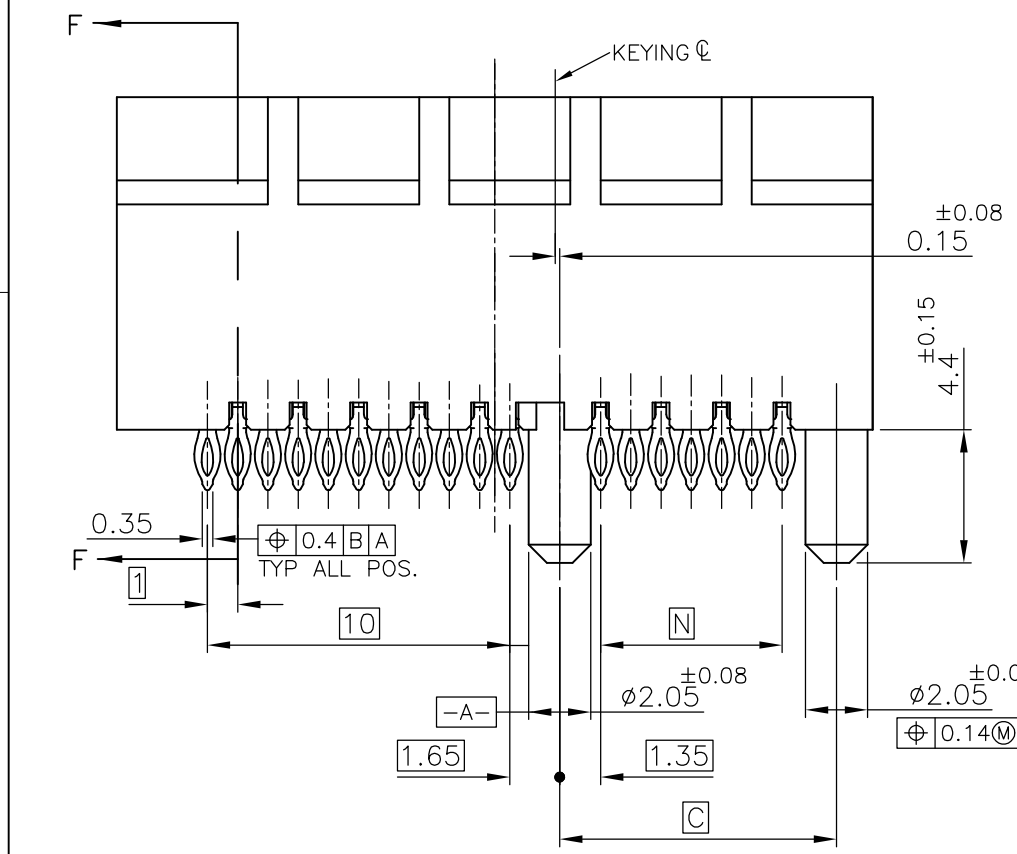


THIS DRAWING IS UNPUBLISHED. RELEASED FOR PUBLICATION JUN ,2005.
 © COPYRIGHT 2005 By -- ALL RIGHTS RESERVED.

LOC J	DIST /	REVISIONS 変更			
P	LTR	DESCRIPTION	DATE	DWN	APVD
	H	PER ECR-14-006136	25APR2014	HS	FY

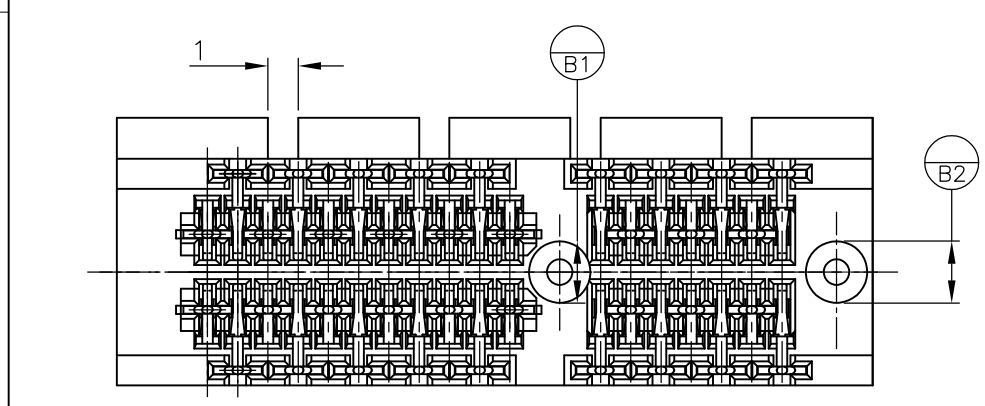


- ① MATERIAL;
HOUSING: HIGH TEMPERATURE THERMO PLASTIC
UL94V-0, COLOR; BLACK
CONTACT: COPPER ALLOY
- ② FINISH;
CONTACT AREA: GOLD PL.0.76μm MIN OVER NICKEL PL.
COMPLIANT PIN ACTION AREA: 0.5μm MIN MATTE TIN
OVER NICKEL PL.
- ③ NOT SPECIFY BY PCI EXPRESS STANDARD
- ⑤ FINISH;
CONTACT AREA: GOLD PL.0.76μm MIN OVER NICKEL PL.
COMPLIANT PIN ACTION AREA: 0.5μm MIN BRIGHT TIN-LEAD
OVER NICKEL PL.
- ⑫ FINISH;
CONTACT AREA: GOLD PL.0.38μm MIN OVER NICKEL PL.
COMPLIANT PIN ACTION AREA: 0.5μm MIN MATTE TIN
OVER NICKEL PL.



13 CONNECTOR HAS MET THE REQUIREMENTS PER
PCI EXPRESS GEN 2 TECHNICAL DOCUMENT.
 14 THE 2.0mm PF VERSIONS ARE GEN2 AND GEN3 COMPLIANT.

⑫	PRODUCING	37	2.0	40.15	56	38.65	98	8	6-	-3	
⑫	PRODUCING	70	↑	73.15	89	71.65	164	16	5-	-4	
OBSOLETE	↑	PRODUCING	70		73.15	89	71.65	164	16	3-	-4
OBSOLETE	⑤	PRODUCING	37		40.15	56	38.65	98	8	3-	-3
③	↑	PRODUCING	128		131.15	147	129.65	280	1-	-5	
		PRODUCING	70		73.15	89	71.65	164	16	1-	-4
		PRODUCING	37	3.25	40.15	56	38.65	98	8	1-1871058	-3
		PRODUCING	20	↑	23.15	39	21.65	64	4	1-	-2
		PRODUCING	6	3.25	9.15	25	7.65	36	1	1-	-1
		PRELIMINARY	76	↑	79.15	95	77.65	176	16		-7
③	↑	PRODUCING	128		131.15	147	129.65	280			-5
		PRODUCING	70		73.15	89	71.65	164	16		-4
		PRODUCING	37	2.0	40.15	56	38.65	98	8	1871058-3	
		PRODUCING	20	↑	23.15	39	21.65	64	4		-2
②	↑	PRELIMINARY	6	2.0	9.15	25	7.65	36	1	1871058-1	
FINISH	TOOLING STATUS	N	D	C	B	A	POS.	PORT	P/N		



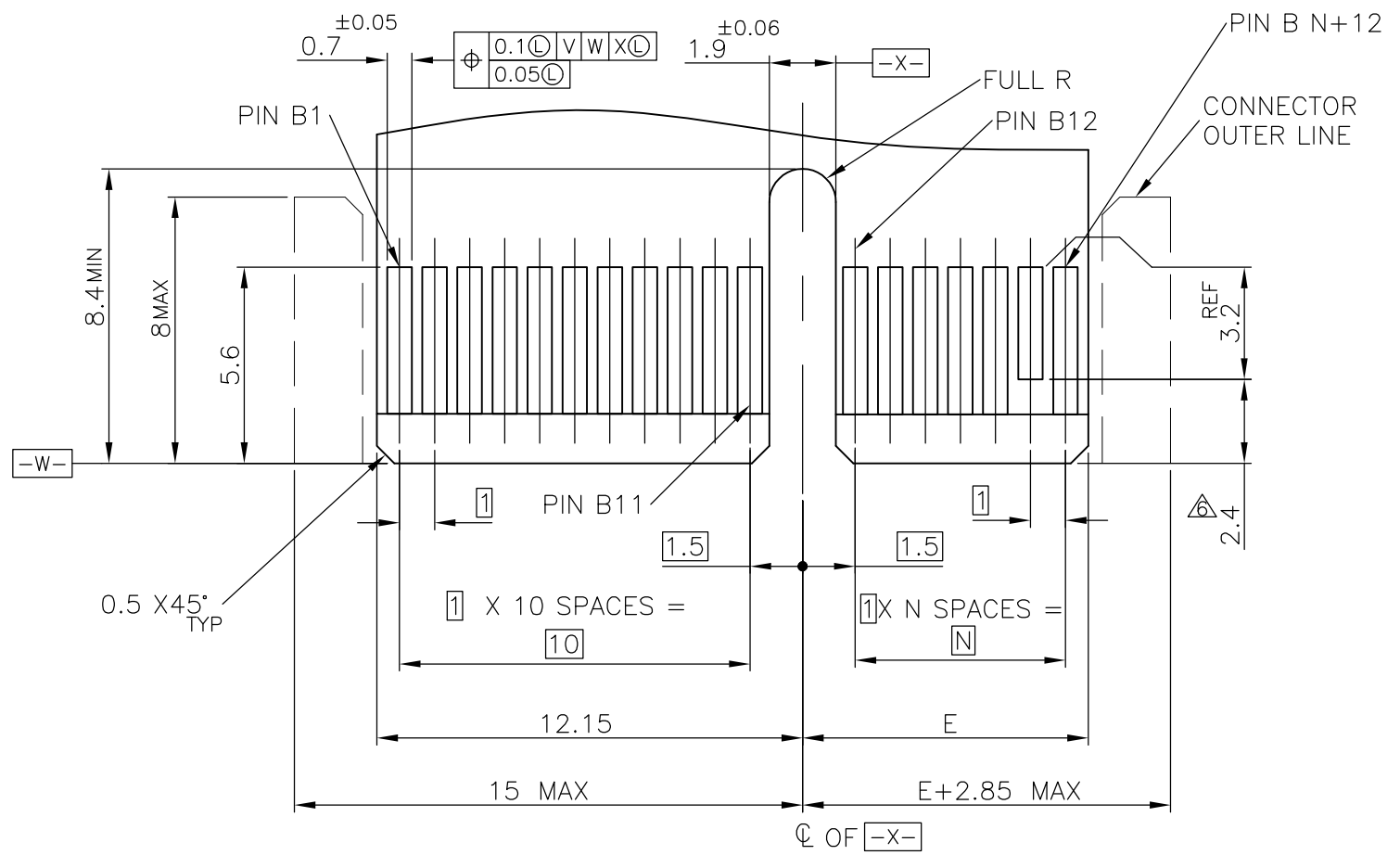
THIS DRAWING IS A CONTROLLED DOCUMENT.

DWN T.KATANO	02DEC05	STE TE Connectivity
CHK R.MURAYAMA	02DEC05	
APVD K.KODAIRA	02DEC05	NAME 名称
PRODUCT SPEC 製品規格	108-78340	PCI EXPRESS CARD EDGE CONN. WITH COMPLIANT PIN V-TYPE
APPLICATION SPEC 取付適用規格		SIZE A3
WEIGHT		CAGE CODE 00779
MATERIAL 材料	FINISH 仕上	DRAWING NO 番号 C-1871058
	SEE NOTE 2	RESTRICTED TO
		SCALE 尺度 4:1
		SHEET 1 OF 2
		REV H

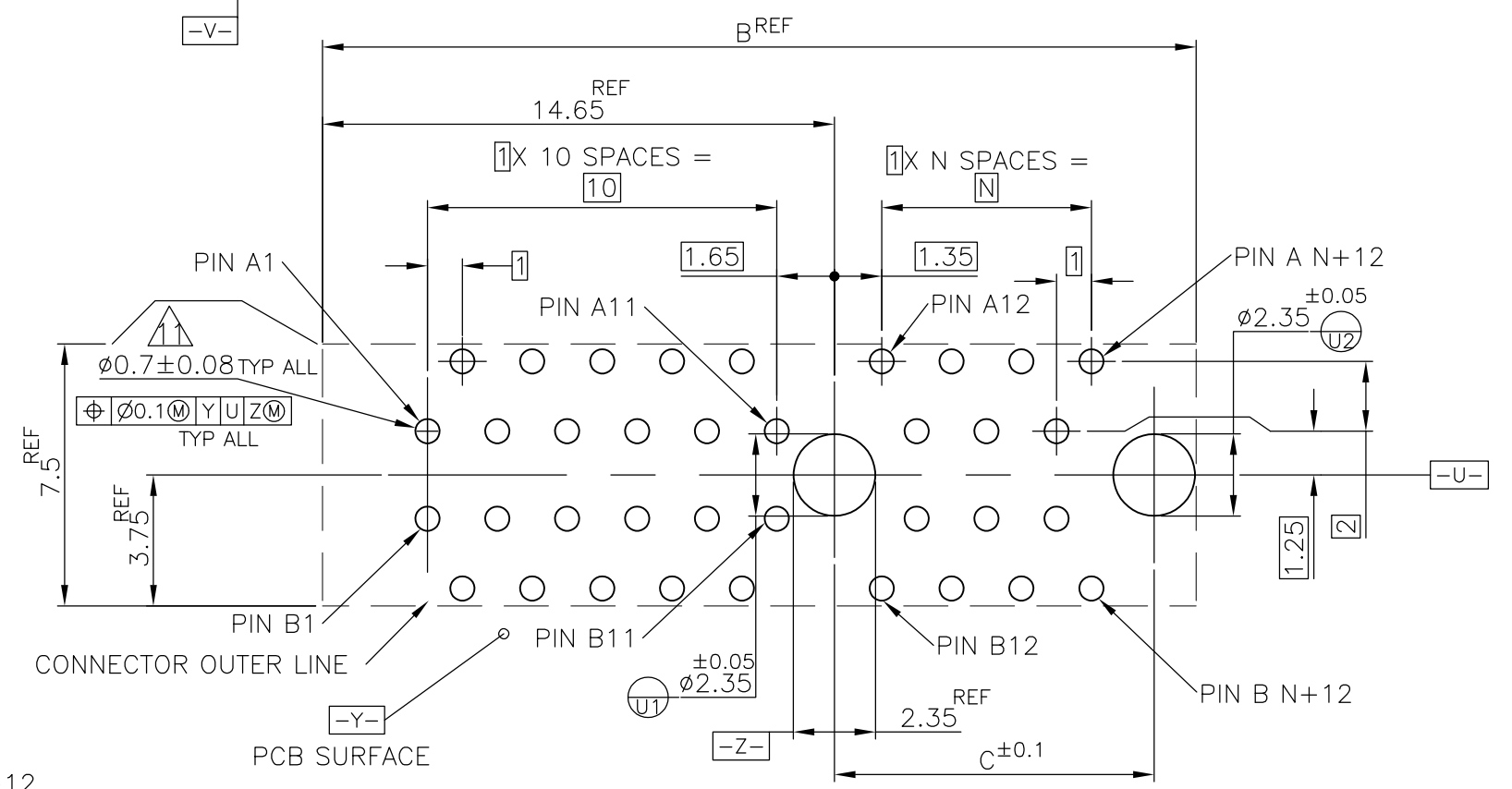
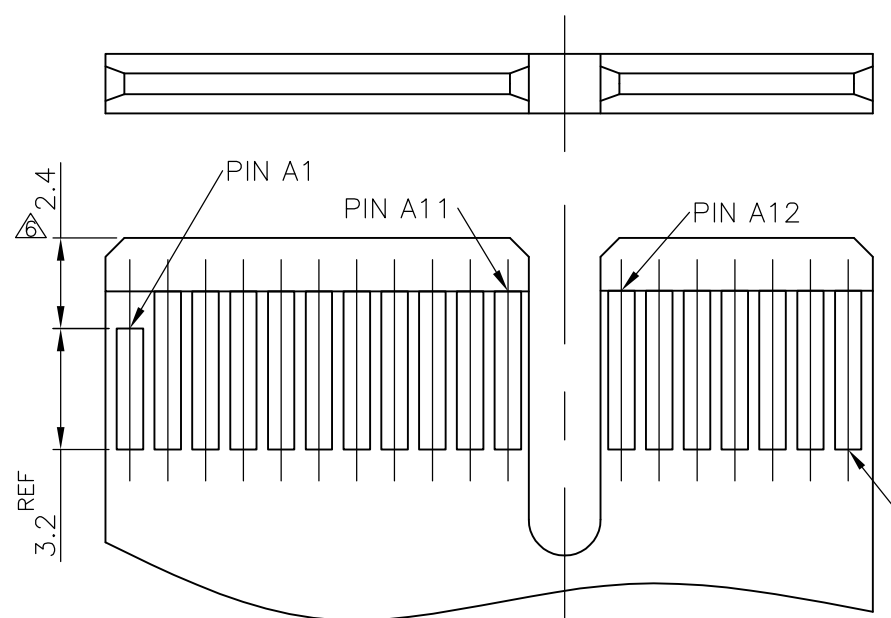
CUSTOMER DRAWING

THIS DRAWING IS UNPUBLISHED. RELEASED FOR PUBLICATION JUN , 2005.
 © COPYRIGHT 2005 By - ALL RIGHTS RESERVED.

LOC	DIST	REVISIONS					
J		P	LTR	DESCRIPTION	DATE	DWN	APVD
		-		SEE SHEET 1	-	-	-



- THIS DIMENSION IS ONLY APPLIED TO PRSNT PINS.
- CARD THICKNESS APPLIES ACROSS TABS AND INCLUDES PLATING AND/OR METALIZATION.
- CHAMFER EDGES MUST BE FREE OF CUTTING BURRS.
- NO TIE BAR PERMITTED FROM CARD EDGE TO LEADING EDGE OF PAD FOR PRSNT PIN.
- APPLICATION NOTE;
 GOLD CONTACT PAD : ELECTROLESS GOLD PLATING 0.05μm MIN. OVER ELECTROLESS Ni PLATING 2μm MIN.
- DRILLED HOLE DIA.: 0.77 TO 0.83
 COPPER PLATING: 0.025 TO 0.075mm.
 FINISHED HOLE DIA. AFTER PLATING: 0.62 TO 0.78 DIA.



PCB PATTERN LAYOUT (THICKNESS : 1.6mm MIN)

MODULE LAYOUT(MATING PART ONLY)

NOT SPECIFY BY PCI EXPRESS STANDARD

A1,B17,B31,B48,B81,B139	130.15	131.15	147	128	280	
A1,B17,B31,B48,B81,B87	78.15	79.15	95	76	176	16
A1,B17,B31,B48,B81	72.15	73.15	89	70	164	16
A1,B17,B31,B48	39.15	40.15	56	37	98	8
A1,B17,B31	22.15	23.15	39	20	64	4
A1,B17	8.15	9.15	25	6	36	1
PRSNT PIN	E	C	B	N	POS.	PORT

THIS DRAWING IS A CONTROLLED DOCUMENT.

DIMENSIONS: 單位: 耗 mm	TOLERANCES UNLESS OTHERWISE SPECIFIED: 一般公差
0-PLC ± ±0.13	
1-PLC ± ±1	
2-PLC ± ±	
3-PLC ± ±	
4-PLC ± ±	
ANGLES ± ±	
FINISH 仕上	

DWN	
CHK	
APVD	
PRODUCT SPEC 製品規格	
APPLICATION SPEC 取付適用規格	
WEIGHT	

TE Connectivity		NAME 名称	
		PCI EXPRESS CARD EDGE CONN. WITH COMPLIANT PIN V-TYPE	
SIZE	CAGE CODE	DRAWING NO 番号	RESTRICTED TO
A3	00779	C-1871058	-
CUSTOMER DRAWING		SCALE 尺度 8:1	SHEET 2 OF 2 REV H

X-ON Electronics

Largest Supplier of Electrical and Electronic Components

Click to view similar products for [PCI Express/PCI Connectors](#) category:

Click to view products by [TE Connectivity](#) manufacturer:

Other Similar products are found below :

[UEX220-6U](#) [10039755-10110TLF](#) [1-1871239-2](#) [2170560-2](#) [10125756-980000LF](#) [EB220-3U](#) [10061913-120PLF](#) [GPCP146400111HR](#)
[GPCP442628110HR](#) [GPCP446200120HR](#) [GPCP245400111HR](#) [10082378-10000TLF](#) [87715-9256](#) [MDT580M03001](#) [0877159107](#)
[MDT580M01001](#) [10018783-11000MLF](#) [10018783-11101TLF](#) [10108777-10000ALF](#) [10141523-111T0LF](#) [10145445-10003MLF](#)
[PSASF2130311TR](#) [PSASF3130411TR](#) [7-1734774-7](#) [3-1761465-1](#) [10018784-10111TLF](#) [10039755-10111TLF](#) [10039755-10112TLF](#)
[10018783-10211TLF](#) [10018784-10211TLF](#) [10018784-10212TLF](#) [1761465-2](#) [1871058-1](#) [5-1761465-4](#) [10018783-10200MLF](#) [10018783-](#)
[10213TLF](#) [10018784-10210TLF](#) [10018784-11113TLF](#) [10025026-10001TLF](#) [5145154-8](#) [1871058-4](#) [2041119-2](#) [10018783-10212TLF](#)
[10018784-10102TLF](#) [10018783-11200TLF](#) [SM3ZS067U215-NUT1-R2500](#) [10123371-001TRLF](#) [10018784-10110TLF](#) [6-1734774-7](#) [6-](#)
[1734774-9](#)